

LM5000EP

Enhanced Plastic High Voltage Switch Mode Regulator

General Description

The LM5000EP is a monolithic integrated circuit specifically designed and optimized for flyback, boost or forward power converter applications. The internal power switch is rated for a maximum of 80V, with a current limit set to 2A. Protecting the power switch are current limit and thermal shutdown circuits. The current mode control scheme provides excellent rejection of line transients and cycle-by-cycle current limiting. An external compensation pin and the built-in slope compensation allow the user to optimize the frequency compensation. Other distinctive features include softstart to reduce stresses during start-up and an external shutdown pin for remote ON/OFF control. There are two operating frequency ranges available. The LM5000-3EP is pin selectable for either 300kHz (FS Grounded) or 700kHz (FS Open). The LM5000-6EP is pin selectable for either 600kHz (FS Grounded) or 1.3MHz (FS Open). The device is available in a low profile 16-lead TSSOP package or a thermally enhanced 16-lead LLP package.

ENHANCED PLASTIC

- Extended Temperature Performance of -40°C to +125°C
- Baseline Control - Single Fab & Assembly Site
- Process Change Notification (PCN)
- Qualification & Reliability Data
- Solder (PbSn) Lead Finish is standard
- Enhanced Diminishing Manufacturing Sources (DMS) Support

Features

- 80V internal switch
- Operating input voltage range of 3.1V to 40V
- Pin selectable operating frequency
 - 300kHz/700kHz (-3)
 - 600kHz/1.3MHz (-6)
- Adjustable output voltage
- External compensation
- Input undervoltage lockout
- Softstart
- Current limit
- Over temperature protection
- External shutdown
- Small 16-Lead TSSOP or 16-Lead LLP package

Applications

- Flyback Regulator
- Forward Regulator
- Boost Regulator
- Distributed Power Converters
- Selected Military Applications
- Selected Avionics Applications

Ordering Information

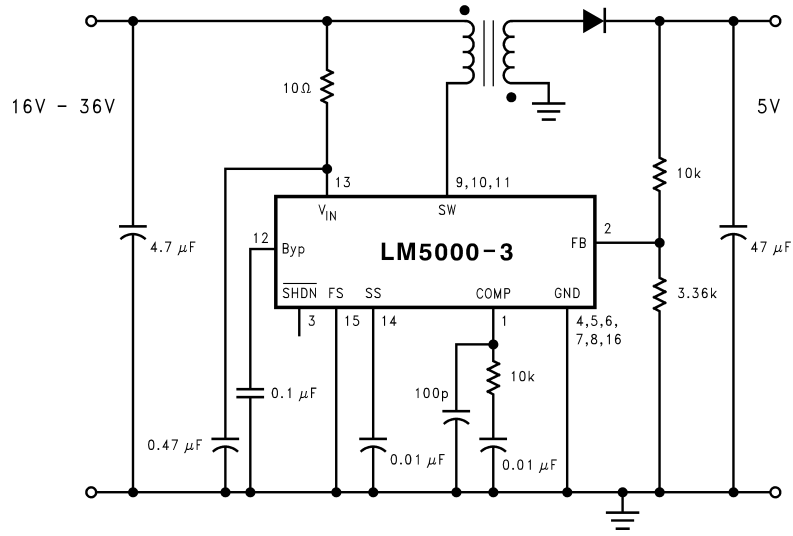
PART NUMBER	VID PART NUMBER	NS PACKAGE NUMBER (Note 3)
LM5000-3MTCEP	V62/04632-01	MTC16
(Notes 1, 2)	TBD	TBD

Note 1: For the following (Enhanced Plastic) version, check for availability: LM5000-3MTCXEP, LM5000SD-3EP, LM5000SD-6EP, LM5000SDX-3EP, LM5000SDX-6EP. Parts listed with an "X" are provided in Tape & Reel and parts without an "X" are in Rails.

Note 2: FOR ADDITIONAL ORDERING AND PRODUCT INFORMATION, PLEASE VISIT THE ENHANCED PLASTIC WEB SITE AT: www.national.com/mil

Note 3: Refer to package details under Physical Dimensions

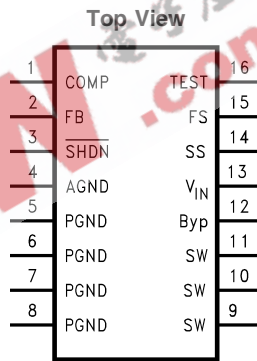
Typical Application Circuit



20098301

LM5000EP Flyback Converter

Connection Diagram



20098304

Pin Description

Pin	Name	Function
1	COMP	Compensation network connection. Connected to the output of the voltage error amplifier. The RC compensation network should be connected from this pin to AGND. An additional 100pF high frequency capacitor to AGND is recommended.
2	FB	Output voltage feedback input.
3	$\overline{\text{SHDN}}$	Shutdown control input, Open = enable, Ground = disable.
4	AGND	Analog ground, connect directly to PGND.
5	PGND	Power ground.
6	PGND	Power ground.
7	PGND	Power ground.
8	PGND	Power ground.
9	SW	Power switch input. Switch connected between SW pins and PGND pins
10	SW	Power switch input. Switch connected between SW pins and PGND pins
11	SW	Power switch input. Switch connected between SW pins and PGND pins
12	BYP	Bypass-Decouple Capacitor Connection, 0.1 μ F ceramic capacitor recommended.
13	V_{IN}	Analog power input. A small RC filter is recommended, to suppress line glitches. Typical values of 10 Ω and $\geq 0.1\mu\text{F}$ are recommended.
14	SS	Softstart Input. External capacitor and internal current source sets the softstart time.
15	FS	Switching frequency select input. Open = F_{high} . Ground = F_{low}
16	TEST	Factory test pin, connect to ground.

EEPW.com.cn 电子产业网

Absolute Maximum Ratings (Note 4)

If Military/Aerospace specified devices are required, please contact the National Semiconductor Sales Office/Distributors for availability and specifications.

V_{IN}	-0.3V to 40V
SW Voltage	-0.3V to 80V
FB Voltage	-0.3V to 5V
COMP Voltage	-0.3V to 3V
All Other Pins	-0.3V to 7V
Maximum Junction Temperature	150°C
Power Dissipation (Note 5)	Internally Limited
Lead Temperature	216°C

Infrared (15 sec.)	235°C
ESD Susceptibility (Note 6)	
Human Body Model	2kV
Machine Model	200V
Storage Temperature	-65°C to +150°C

Operating Conditions

Operating Junction Temperature Range (Note 10)	-40°C to +125°C
Supply Voltage (Note 10)	3.1V to 40V

Electrical Characteristics

Specifications in standard type face are for $T_J = 25^\circ\text{C}$ and those with **boldface type** apply over the full **Operating Temperature Range** ($T_J = -40^\circ\text{C}$ to $+125^\circ\text{C}$) Unless otherwise specified. $V_{IN} = 12\text{V}$ and $I_L = 0\text{A}$, unless otherwise specified.

Symbol	Parameter	Conditions	Min (Note 7)	Typ (Note 8)	Max (Note 7)	Units
I_Q	Quiescent Current	FB = 2V (Not Switching) FS = 0V		2.0	2.5	mA
		FB = 2V (Not Switching) FS = Open		2.1	2.5	mA
		$\overline{V_{SHDN}} = 0\text{V}$		18	30	μA
V_{FB}	Feedback Voltage		1.2330	1.259	1.2840	V
I_{CL}	Switch Current Limit		1.35	2.0	2.7	A
$\%V_{FB}/\Delta V_{IN}$	Feedback Voltage Line Regulation	$3.1\text{V} \leq V_{IN} \leq 40\text{V}$		0.001	0.04	$\%/V$
I_B	FB Pin Bias Current (Note 9)			55	200	nA
BV	Output Switch Breakdown Voltage	$T_J = 25^\circ\text{C}$, $I_{SW} = 0.1\mu\text{A}$	80			V
		$T_J = -40^\circ\text{C}$ to $+125^\circ\text{C}$, $I_{SW} = 0.5\mu\text{A}$	76			
V_{IN}	Input Voltage Range		3.1		40	V
g_m	Error Amp Transconductance	$\Delta I = 5\mu\text{A}$	150	410	750	μmho
A_V	Error Amp Voltage Gain			280		V/V
D_{MAX}	Maximum Duty Cycle LM5000-3EP	FS = 0V	85	90		%
	Maximum Duty Cycle LM5000-6EP	FS = 0V	85	90		%
T_{MIN}	Minimum On Time			165		ns
f_s	Switching Frequency LM5000-3EP	FS = 0V	240	300	360	kHz
		FS = Open	550	700	840	
	Switching Frequency LM5000-6EP	FS = 0V	485	600	715	MHz
		FS = Open	1.055	1.3	1.545	
I_{SHDN}	Shutdown Pin Current	$\overline{V_{SHDN}} = 0\text{V}$		-1	-2	μA
I_L	Switch Leakage Current	$V_{SW} = 80\text{V}$		0.008	5	μA
R_{DSON}	Switch R_{DSON}	$I_{SW} = 1\text{A}$		160	445	m Ω
Th_{SHDN}	SHDN Threshold	Output High	0.9	0.6		V
		Output Low		0.6	0.3	V
UVLO	On Threshold		2.74	2.92	3.10	V
	Off Threshold		2.60	2.77	2.96	V
OVP	V_{COMP} Trip			0.67		V
I_{SS}	Softstart Current		8	11	14	μA

Electrical Characteristics (Continued)

Specifications in standard type face are for $T_J = 25^\circ\text{C}$ and those with **boldface type** apply over the full **Operating Temperature Range** ($T_J = -40^\circ\text{C}$ to $+125^\circ\text{C}$) Unless otherwise specified. $V_{IN} = 12\text{V}$ and $I_L = 0\text{A}$, unless otherwise specified.

Symbol	Parameter	Conditions	Min (Note 7)	Typ (Note 8)	Max (Note 7)	Units
θ_{JA}	Thermal Resistance	TSSOP, Package only		150		$^\circ\text{C/W}$
		LLP, Package only		45		

Note 4: Absolute maximum ratings are limits beyond which damage to the device may occur. Operating Ratings are conditions for which the device is intended to be functional, but device parameter specifications may not be guaranteed. For guaranteed specifications and test conditions, see the Electrical Characteristics.

Note 5: The maximum allowable power dissipation is a function of the maximum junction temperature, $T_{J(\text{MAX})}$, the junction-to-ambient thermal resistance, θ_{JA} , and the ambient temperature, T_A . See the Electrical Characteristics table for the thermal resistance of various layouts. The maximum allowable power dissipation at any ambient temperature is calculated using: $P_D (\text{MAX}) = (T_{J(\text{MAX})} - T_A)/\theta_{JA}$. Exceeding the maximum allowable power dissipation will cause excessive die temperature, and the regulator will go into thermal shutdown.

Note 6: The human body model is a 100 pF capacitor discharged through a 1.5k Ω resistor into each pin. The machine model is a 200pF capacitor discharged directly into each pin.

Note 7: All limits guaranteed at room temperature (standard typeface) and at temperature extremes (bold typeface). All room temperature limits are 100% production tested. All limits at temperature extremes are guaranteed via correlation using standard Statistical Quality Control (SQC) methods. All limits are used to calculate Average Outgoing Quality Level (AOQL).

Note 8: Typical numbers are at 25°C and represent the most likely norm.

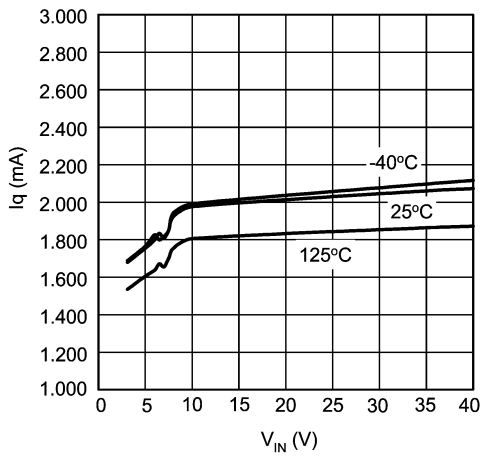
Note 9: Bias current flows into FB pin.

Note 10: Supply voltage, bias current product will result in additional device power dissipation. This power may be significant. The thermal dissipation design should take this into account.

EEPW 电子产品世界
www.eepw.com.cn

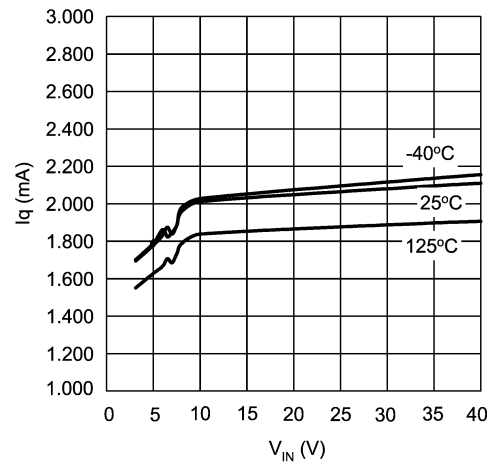
Typical Performance Characteristics

I_q (non-switching) vs V_{IN} @ $f_{SW} = 300kHz$



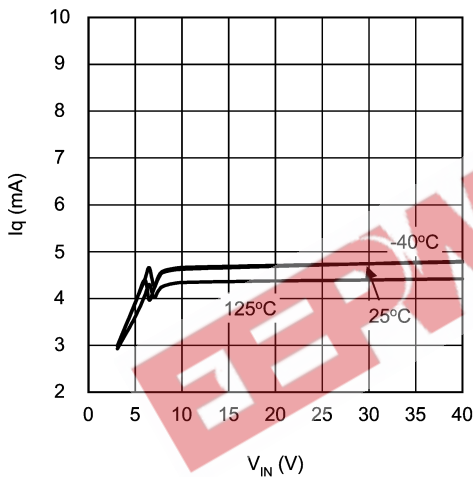
20098320

I_q (non-switching) vs V_{IN} @ $f_{SW} = 700kHz$



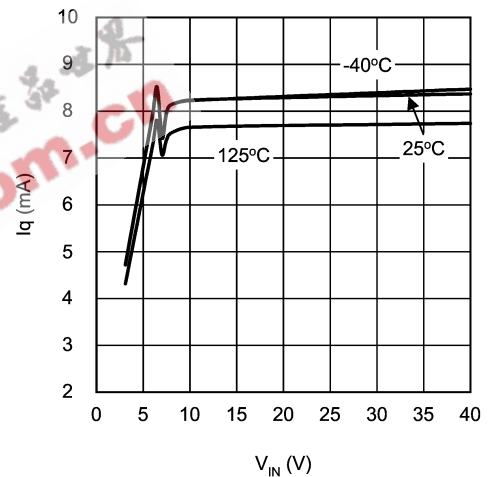
20098321

I_q (switching) vs V_{IN} @ $f_{SW} = 300kHz$



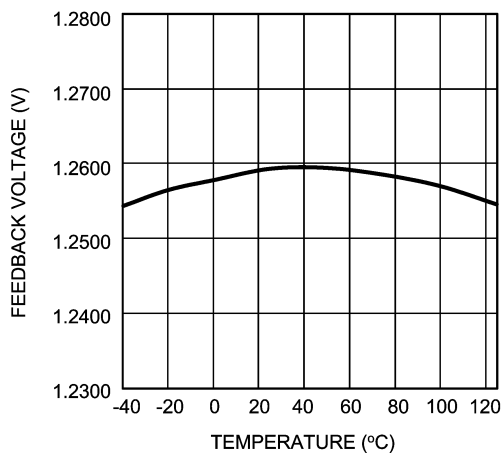
20098322

I_q (switching) vs V_{IN} @ $f_{SW} = 700kHz$



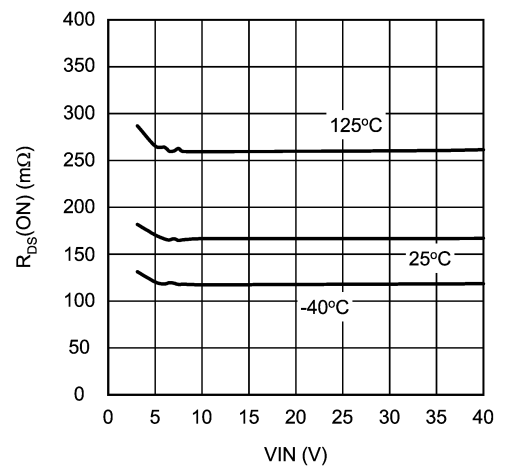
20098323

V_{fb} vs Temperature



20098324

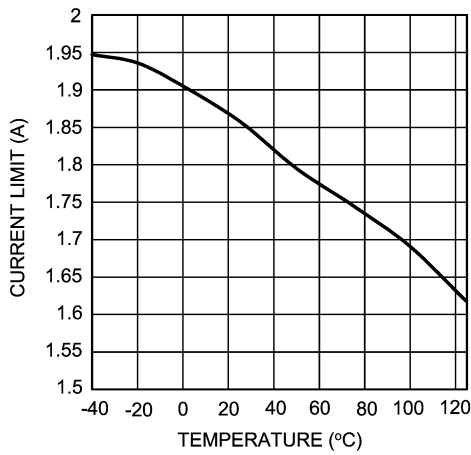
$R_{DS(ON)}$ vs V_{IN} @ $I_{SW} = 1A$



20098325

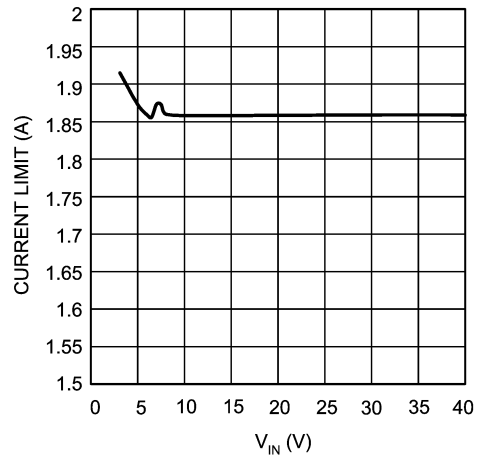
Typical Performance Characteristics (Continued)

Current Limit vs Temperature



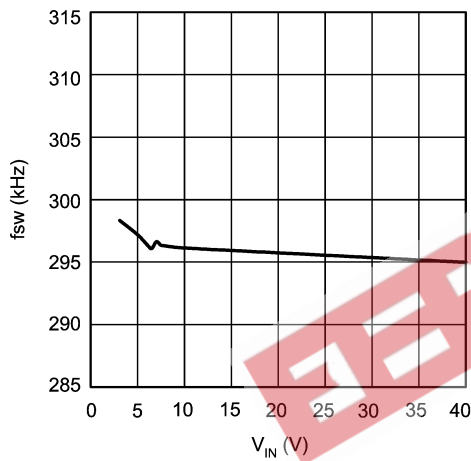
20098326

Current Limit vs V_{IN}



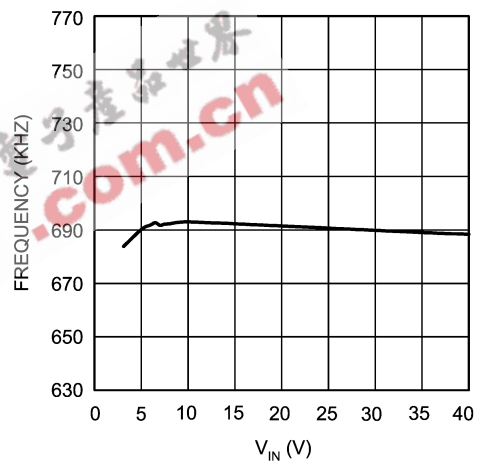
20098327

f_{sw} vs. V_{IN} @ FS = Low (-3)



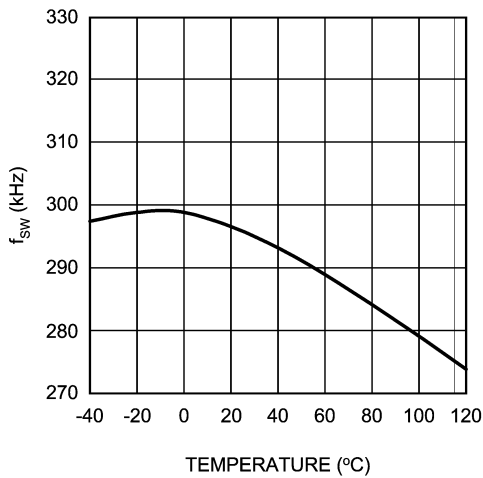
20098328

f_{sw} vs. V_{IN} @ FS = OPEN (-3)



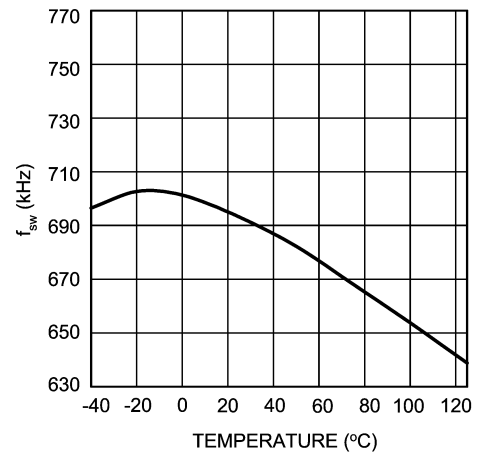
20098329

f_{sw} vs. Temperature @ FS = Low (-3)



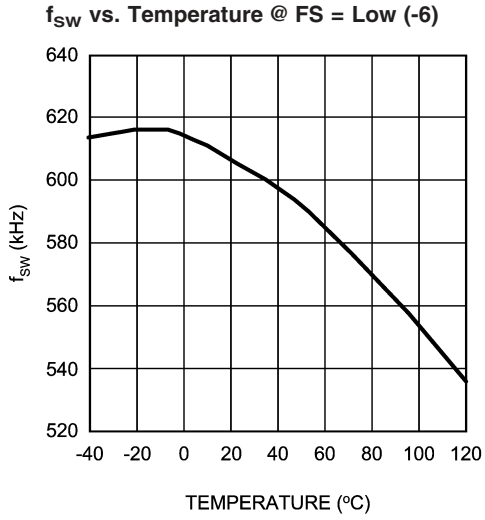
20098330

f_{sw} vs. Temperature @ FS = OPEN (-3)

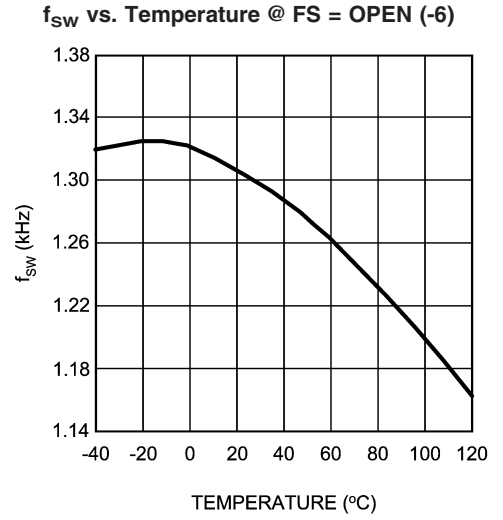


20098331

Typical Performance Characteristics (Continued)

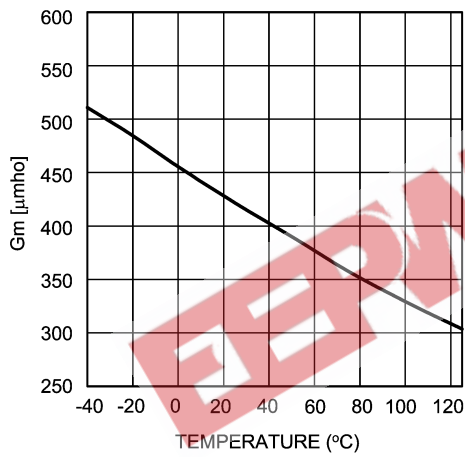


20098374



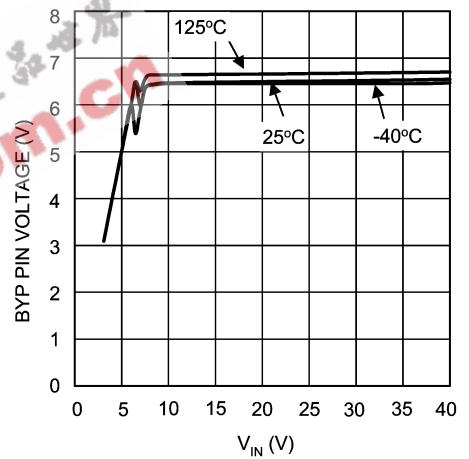
20098375

Error Amp. Transconductance vs Temp.

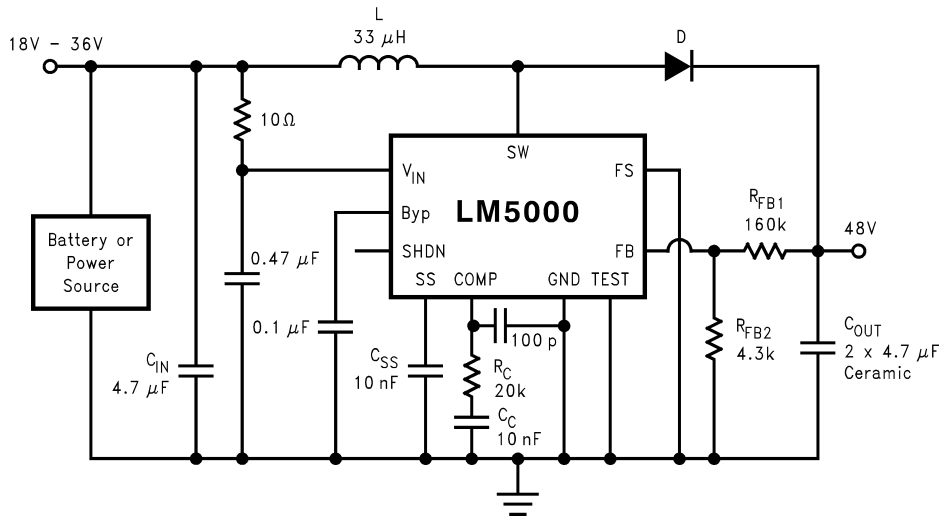


20098332

BYP Pin Voltage vs V_{IN}

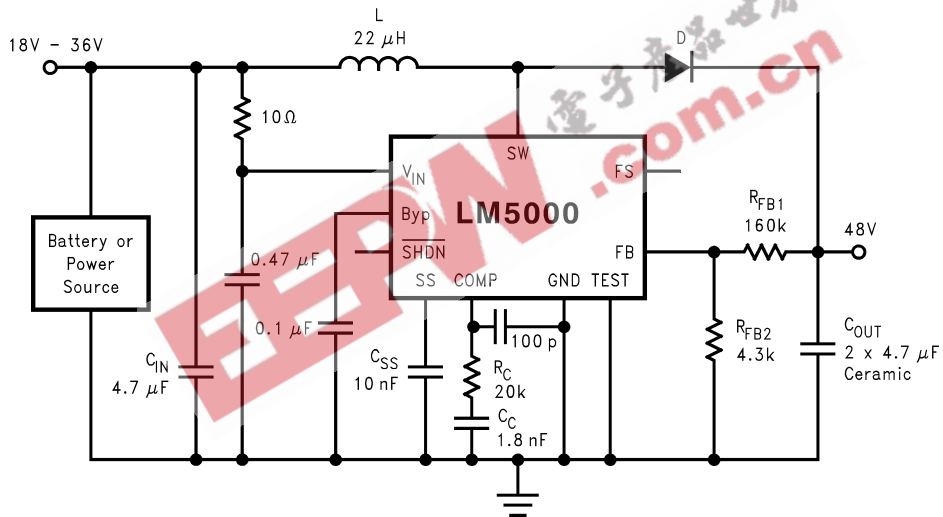


20098333



20098353

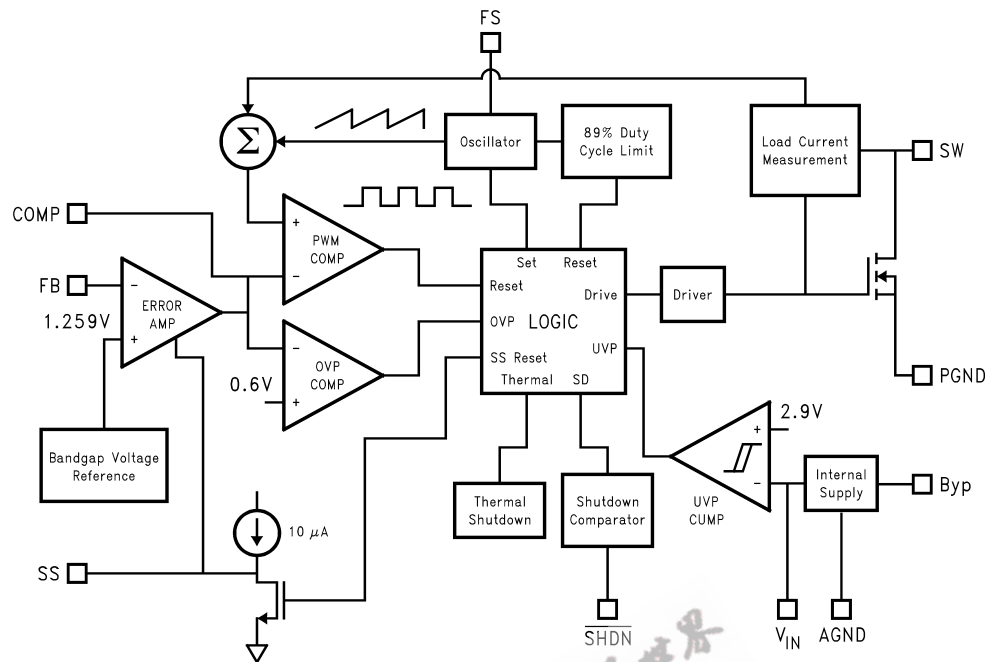
FIGURE 1. 300 kHz operation, 48V output



20098354

FIGURE 2. 700 kHz operation, 48V output

Block Diagram



20098303

Boost Regulator Operation

The LM5000EP utilizes a PWM control scheme to regulate the output voltage over all load conditions. The operation can best be understood referring to the block diagram and Figure 3. At the start of each cycle, the oscillator sets the driver logic and turns on the NMOS power device conducting current through the inductor, cycle 1 of Figure 3 (a). During this cycle, the voltage at the COMP pin controls the peak inductor current. The COMP voltage will increase with larger loads and decrease with smaller. This voltage is compared with the summation of the SW voltage and the ramp compensation. The ramp compensation is used in PWM architectures to eliminate the sub-harmonic oscillations that occur during duty cycles greater than 50%. Once the summation of the ramp compensation and switch voltage equals the COMP voltage, the PWM comparator resets the driver logic turning off the NMOS power device. The inductor current then flows through the output diode to the load and output capacitor, cycle 2 of Figure 3 (b). The NMOS power device is then set by the oscillator at the end of the period and current flows through the inductor once again.

The LM5000EP has dedicated protection circuitry running during the normal operation to protect the IC. The Thermal Shutdown circuitry turns off the NMOS power device when the die temperature reaches excessive levels. The UVP comparator protects the NMOS power device during supply power startup and shutdown to prevent operation at voltages less than the minimum input voltage. The OVP comparator is used to prevent the output voltage from rising at no loads allowing full PWM operation over all load conditions. The LM5000EP also features a shutdown mode. An external capacitor sets the softstart time by limiting the error amp output range, as the capacitor charges up via an internal 10µA current source.

The LM5000EP is available in two operating frequency ranges. The LM5000-3EP is pin selectable for either 300kHz (FS Grounded) or 700kHz (FS Open). The LM5000-6EP is pin selectable for either 600kHz (FS Grounded) or 1.3MHz (FS Open)

Operation

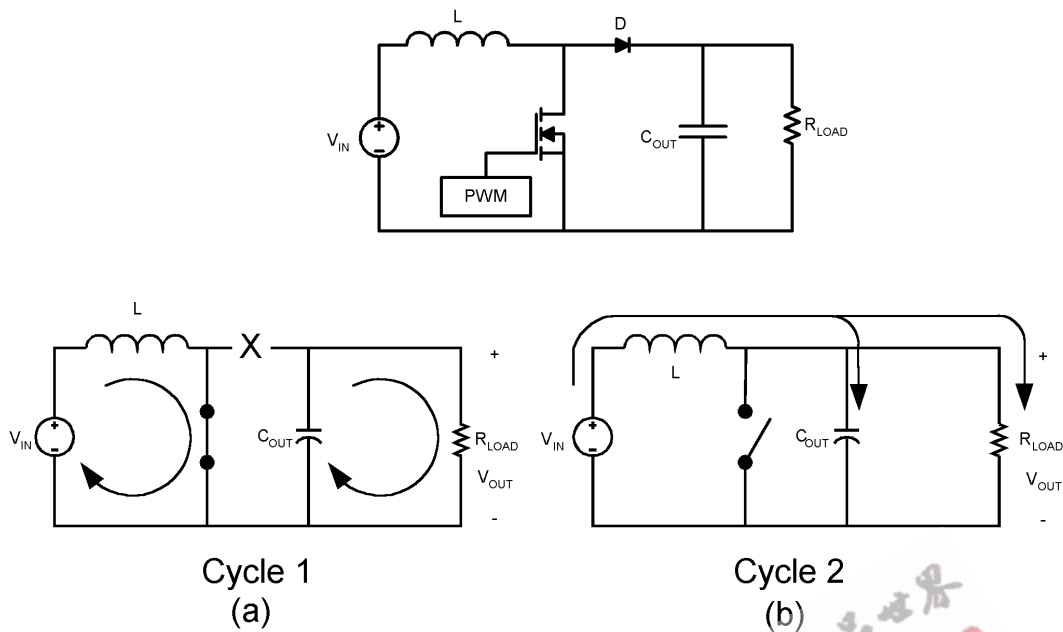


FIGURE 3. Simplified Boost Converter Diagram
(a) First Cycle of Operation (b) Second Cycle Of Operation

CONTINUOUS CONDUCTION MODE

The LM5000EP is a current-mode, PWM regulator. When used as a boost regulator the input voltage is stepped up to a higher output voltage. In continuous conduction mode (when the inductor current never reaches zero at steady state), the boost regulator operates in two cycles.

In the first cycle of operation, shown in Figure 3 (a), the transistor is closed and the diode is reverse biased. Energy is collected in the inductor and the load current is supplied by C_{OUT} .

The second cycle is shown in Figure 3 (b). During this cycle, the transistor is open and the diode is forward biased. The energy stored in the inductor is transferred to the load and output capacitor.

The ratio of these two cycles determines the output voltage. The output voltage is defined approximately as:

$$V_{OUT} = \frac{V_{IN}}{1-D}, D' = (1-D) = \frac{V_{IN}}{V_{OUT}}$$

where D is the duty cycle of the switch, D and D' will be required for design calculations.

SETTING THE OUTPUT VOLTAGE

The output voltage is set using the feedback pin and a resistor divider connected to the output as shown in Figure 1. The feedback pin is always at 1.259V, so the ratio of the feedback resistors sets the output voltage.

$$R_{FB1} = R_{FB2} \times \frac{V_{OUT} - 1.259}{1.259} \Omega$$

INTRODUCTION TO COMPENSATION

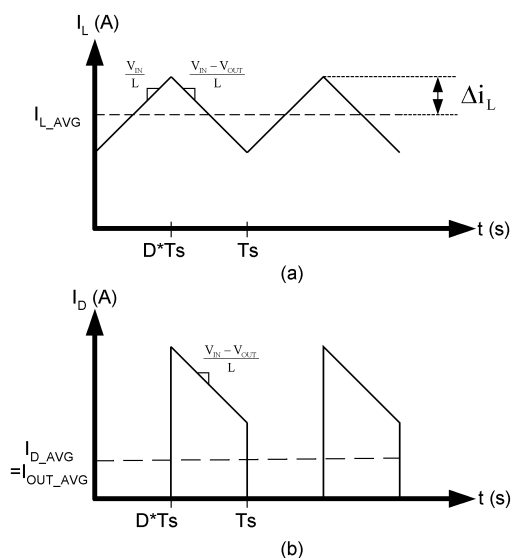


FIGURE 4. (a) Inductor current. (b) Diode current.

Operation (Continued)

The LM5000EP is a current mode PWM regulator. The signal flow of this control scheme has two feedback loops, one that senses switch current and one that senses output voltage.

To keep a current programmed control converter stable above duty cycles of 50%, the inductor must meet certain criteria. The inductor, along with input and output voltage, will determine the slope of the current through the inductor (see *Figure 4 (a)*). If the slope of the inductor current is too great, the circuit will be unstable above duty cycles of 50%.

The LM5000EP provides a compensation pin (COMP) to customize the voltage loop feedback. It is recommended that a series combination of R_C and C_C be used for the compensation network, as shown in *Figure 1*. The series combination of R_C and C_C introduces pole-zero pair according to the following equations:

$$f_{zC} = \frac{1}{2\pi R_C C_C} \text{ Hz}$$

$$f_{pC} = \frac{1}{2\pi(R_C + R_O)C_C} \text{ Hz}$$

where R_O is the output impedance of the error amplifier, 850k Ω . For most applications, performance can be optimized by choosing values within the range $5\text{k}\Omega \leq R_C \leq 20\text{k}\Omega$ and $680\text{pF} \leq C_C \leq 4.7\text{nF}$.

COMPENSATION

This section will present a general design procedure to help insure a stable and operational circuit. The designs in this datasheet are optimized for particular requirements. If different conversions are required, some of the components may need to be changed to ensure stability. Below is a set of general guidelines in designing a stable circuit for continuous conduction operation (loads greater than 100mA), in most all cases this will provide for stability during discontinuous operation as well. The power components and their effects will be determined first, then the compensation components will be chosen to produce stability.

INDUCTOR SELECTION

To ensure stability at duty cycles above 50%, the inductor must have some minimum value determined by the minimum input voltage and the maximum output voltage. This equation is:

$$L > \frac{V_{IN} R_{DSON}}{0.144 f_s} \left[\frac{\left(\frac{D}{D'}\right)^2 - 1}{\left(\frac{D}{D'}\right) + 1} \right] \text{ (in H)}$$

where f_s is the switching frequency, D is the duty cycle, and R_{DSON} is the ON resistance of the internal switch. This equation is only good for duty cycles greater than 50% ($D > 0.5$).

$$\Delta i_L = \frac{V_{IN} D}{2L f_s} \text{ (in Amps)}$$

The inductor ripple current is important for a few reasons. One reason is because the peak switch current will be the

average inductor current (input current) plus Δi_L . Care must be taken to make sure that the switch will not reach its current limit during normal operation. The inductor must also be sized accordingly. It should have a saturation current rating higher than the peak inductor current expected. The output voltage ripple is also affected by the total ripple current.

DC GAIN AND OPEN-LOOP GAIN

Since the control stage of the converter forms a complete feedback loop with the power components, it forms a closed-loop system that must be stabilized to avoid positive feedback and instability. A value for open-loop DC gain will be required, from which you can calculate, or place, poles and zeros to determine the crossover frequency and the phase margin. A high phase margin (greater than 45°) is desired for the best stability and transient response. For the purpose of stabilizing the LM5000EP, choosing a crossover point well below where the right half plane zero is located will ensure sufficient phase margin. A discussion of the right half plane zero and checking the crossover using the DC gain will follow.

OUTPUT CAPACITOR SELECTION

The choice of output capacitors is somewhat more arbitrary. It is recommended that low ESR (Equivalent Series Resistance, denoted R_{ESR}) capacitors be used such as ceramic, polymer electrolytic, or low ESR tantalum. Higher ESR capacitors may be used but will require more compensation which will be explained later on in the section. The ESR is also important because it determines the output voltage ripple according to the approximate equation:

$$\Delta V_{OUT} \approx 2\Delta i_L R_{ESR} \text{ (in Volts)}$$

After choosing the output capacitor you can determine a pole-zero pair introduced into the control loop by the following equations:

$$f_{p1} = \frac{1}{2\pi(R_{ESR} + R_L)C_{OUT}} \text{ (in Hz)}$$

$$f_{z1} = \frac{1}{2\pi R_{ESR} C_{OUT}} \text{ (in Hz)}$$

Where R_L is the minimum load resistance corresponding to the maximum load current. The zero created by the ESR of the output capacitor is generally very high frequency if the ESR is small. If low ESR capacitors are used it can be neglected. If higher ESR capacitors are used see the *High Output Capacitor ESR Compensation* section.

RIGHT HALF PLANE ZERO

A current mode control boost regulator has an inherent right half plane zero (RHP zero). This zero has the effect of a zero in the gain plot, causing an imposed +20dB/decade on the rolloff, but has the effect of a pole in the phase, subtracting another 90° in the phase plot. This can cause undesirable effects if the control loop is influenced by this zero. To ensure the RHP zero does not cause instability issues, the control loop should be designed to have a bandwidth of $\frac{1}{2}$ the frequency of the RHP zero or less. This zero occurs at a frequency of:

Operation (Continued)

$$\text{RHPzero} = \frac{V_{\text{OUT}}(D)^2}{2\pi I_{\text{LOAD}}} \text{ (in Hz)}$$

where I_{LOAD} is the maximum load current.

SELECTING THE COMPENSATION COMPONENTS

The first step in selecting the compensation components R_C and C_C is to set a dominant low frequency pole in the control loop. Simply choose values for R_C and C_C within the ranges given in the *Introduction to Compensation* section to set this pole in the area of 10Hz to 100Hz. The frequency of the pole created is determined by the equation:

$$f_{\text{PC}} = \frac{1}{2\pi(R_C + R_O)C_C} \text{ (in Hz)}$$

where R_O is the output impedance of the error amplifier, 850k Ω . Since R_C is generally much less than R_O , it does not have much effect on the above equation and can be neglected until a value is chosen to set the zero f_{ZC} . f_{ZC} is created to cancel out the pole created by the output capacitor, f_{P1} . The output capacitor pole will shift with different load currents as shown by the equation, so setting the zero is not exact. Determine the range of f_{P1} over the expected loads and then set the zero f_{ZC} to a point approximately in the middle. The frequency of this zero is determined by:

$$f_{\text{ZC}} = \frac{1}{2\pi C_C R_C} \text{ (in Hz)}$$

Now R_C can be chosen with the selected value for C_C . Check to make sure that the pole f_{PC} is still in the 10Hz to 100Hz range, change each value slightly if needed to ensure both component values are in the recommended range. After checking the design at the end of this section, these values can be changed a little more to optimize performance if desired. This is best done in the lab on a bench, checking the load step response with different values until the ringing and overshoot on the output voltage at the edge of the load steps is minimal. This should produce a stable, high performance circuit. For improved transient response, higher values of R_C (within the range of values) should be chosen. This will improve the overall bandwidth which makes the regulator respond more quickly to transients. If more detail is required, or the most optimal performance is desired, refer to a more in depth discussion of compensating current mode DC/DC switching regulators.

HIGH OUTPUT CAPACITOR ESR COMPENSATION

When using an output capacitor with a high ESR value, or just to improve the overall phase margin of the control loop, another pole may be introduced to cancel the zero created by the ESR. This is accomplished by adding another capacitor, C_{C2} , directly from the compensation pin V_C to ground, in parallel with the series combination of R_C and C_C . The pole should be placed at the same frequency as f_{Z1} , the ESR zero. The equation for this pole follows:

$$f_{\text{PC2}} = \frac{1}{2\pi C_{C2}(R_C // R_O)} \text{ (in Hz)}$$

To ensure this equation is valid, and that C_{C2} can be used without negatively impacting the effects of R_C and C_C , f_{PC2} must be greater than $10f_{\text{PC}}$.

CHECKING THE DESIGN

The final step is to check the design. This is to ensure a bandwidth of $\frac{1}{2}$ or less of the frequency of the RHP zero. This is done by calculating the open-loop DC gain, A_{DC} . After this value is known, you can calculate the crossover visually by placing a -20dB/decade slope at each pole, and a $+20\text{dB/decade}$ slope for each zero. The point at which the gain plot crosses unity gain, or 0dB, is the crossover frequency. If the crossover frequency is at less than $\frac{1}{2}$ the RHP zero, the phase margin should be high enough for stability. The phase margin can also be improved some by adding C_{C2} as discussed earlier in the section. The equation for A_{DC} is given below with additional equations required for the calculation:

$$A_{\text{DC(DB)}} = 20\log_{10} \left(\left(\frac{R_{\text{FB2}}}{R_{\text{FB1}} + R_{\text{FB2}}} \right) \frac{g_m R_O D'}{R_{\text{DSON}}} \left\{ \frac{L}{(D)^2} \right\} \right) \text{ (in dB)}$$

$$\omega_c \cong \frac{2f_s}{nD} \text{ (in rad/s)}$$

$$L_{\text{eff}} = \frac{L}{(D)^2}$$

$$n = 1 + \frac{2mc}{m1} \text{ (no unit)}$$

$$mc \cong 0.072f_s \text{ (in A/s)}$$

$$m1 \cong \frac{V_{\text{IN}} R_{\text{DSON}}}{L} \text{ (in V/s)}$$

where R_L is the minimum load resistance, V_{IN} is the maximum input voltage, and R_{DSON} is the value chosen from the graph " R_{DSON} vs. V_{IN} " in the *Typical Performance Characteristics* section.

SWITCH VOLTAGE LIMITS

In a flyback regulator, the maximum steady-state voltage appearing at the switch, when it is off, is set by the transformer turns ratio, N , the output voltage, V_{OUT} , and the maximum input voltage, V_{IN} (Max):

$$V_{\text{SW(OFF)}} = V_{\text{IN}}(\text{Max}) + (V_{\text{OUT}} + V_F)/N$$

where V_F is the forward biased voltage of the output diode, and is typically 0.5V for Schottky diodes and 0.8V for ultra-fast recovery diodes. In certain circuits, there exists a voltage spike, V_{LL} , superimposed on top of the steady-state voltage. Usually, this voltage spike is caused by the transformer leakage inductance and/or the output rectifier recovery time. To "clamp" the voltage at the switch from exceeding its maximum value, a transient suppressor in series with a diode is inserted across the transformer primary.

If poor circuit layout techniques are used, negative voltage transients may appear on the Switch pin. Applying a negative voltage (with respect to the IC's ground) to any monolithic IC pin causes erratic and unpredictable operation of that IC. This holds true for the LM5000EP IC as well. When used in a flyback regulator, the voltage at the Switch pin can go negative when the switch turns on. The "ringing" voltage

Operation (Continued)

at the switch pin is caused by the output diode capacitance and the transformer leakage inductance forming a resonant circuit at the secondary(ies). The resonant circuit generates the “ringing” voltage, which gets reflected back through the transformer to the switch pin. There are two common methods to avoid this problem. One is to add an RC snubber around the output rectifier(s). The values of the resistor and the capacitor must be chosen so that the voltage at the Switch pin does not drop below $-0.4V$. The resistor may range in value between 10Ω and $1\text{ k}\Omega$, and the capacitor will vary from $0.001\ \mu\text{F}$ to $0.1\ \mu\text{F}$. Adding a snubber will (slightly) reduce the efficiency of the overall circuit.

The other method to reduce or eliminate the “ringing” is to insert a Schottky diode clamp between the SW pin and the PGND pin. The reverse voltage rating of the diode must be greater than the switch off voltage.

OUTPUT VOLTAGE LIMITATIONS

The maximum output voltage of a boost regulator is the maximum switch voltage minus a diode drop. In a flyback regulator, the maximum output voltage is determined by the turns ratio, N , and the duty cycle, D , by the equation:

$$V_{\text{OUT}} \approx N \times V_{\text{IN}} \times D / (1 - D)$$

The duty cycle of a flyback regulator is determined by the following equation:

$$D = \frac{V_{\text{OUT}} + V_{\text{F}}}{N(V_{\text{IN}} - V_{\text{SAT}}) + V_{\text{OUT}} + V_{\text{F}}} \approx \frac{V_{\text{OUT}}}{N(V_{\text{IN}}) + V_{\text{OUT}}}$$

Theoretically, the maximum output voltage can be as large as desired—just keep increasing the turns ratio of the transformer. However, there exists some physical limitations that prevent the turns ratio, and thus the output voltage, from increasing to infinity. The physical limitations are capaci-

tances and inductances in the LM5000EP switch, the output diode(s), and the transformer—such as reverse recovery time of the output diode (mentioned above).

INPUT LINE CONDITIONING

A small, low-pass RC filter should be used at the input pin of the LM5000EP if the input voltage has an unusually large amount of transient noise. Additionally, the RC filter can reduce the dissipation within the device when the input voltage is high.

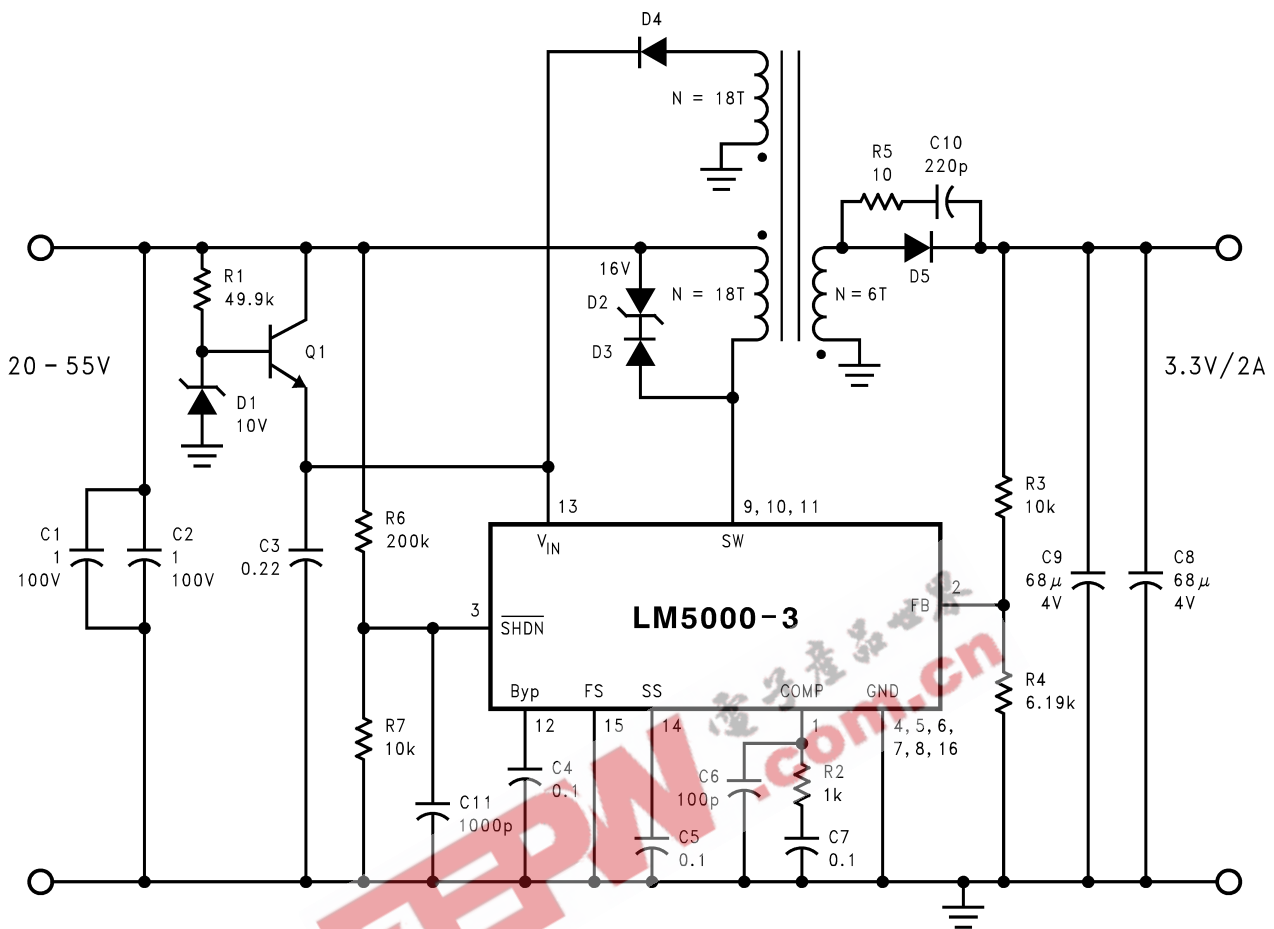
Flyback Regulator Operation

The LM5000EP is ideally suited for use in the flyback regulator topology. The flyback regulator can produce a single output voltage, or multiple output voltages.

The operation of a flyback regulator is as follows: When the switch is on, current flows through the primary winding of the transformer, T1, storing energy in the magnetic field of the transformer. Note that the primary and secondary windings are out of phase, so no current flows through the secondary when current flows through the primary. When the switch turns off, the magnetic field collapses, reversing the voltage polarity of the primary and secondary windings. Now rectifier D5 is forward biased and current flows through it, releasing the energy stored in the transformer. This produces voltage at the output.

The output voltage is controlled by modulating the peak switch current. This is done by feeding back a portion of the output voltage to the error amp, which amplifies the difference between the feedback voltage and a $1.259V$ reference. The error amp output voltage is compared to a ramp voltage proportional to the switch current (i.e., inductor current during the switch on time). The comparator terminates the switch on time when the two voltages are equal, thereby controlling the peak switch current to maintain a constant output voltage.

Flyback Regulator Operation (Continued)



20098372

FIGURE 5. LM5000EP Flyback Converter

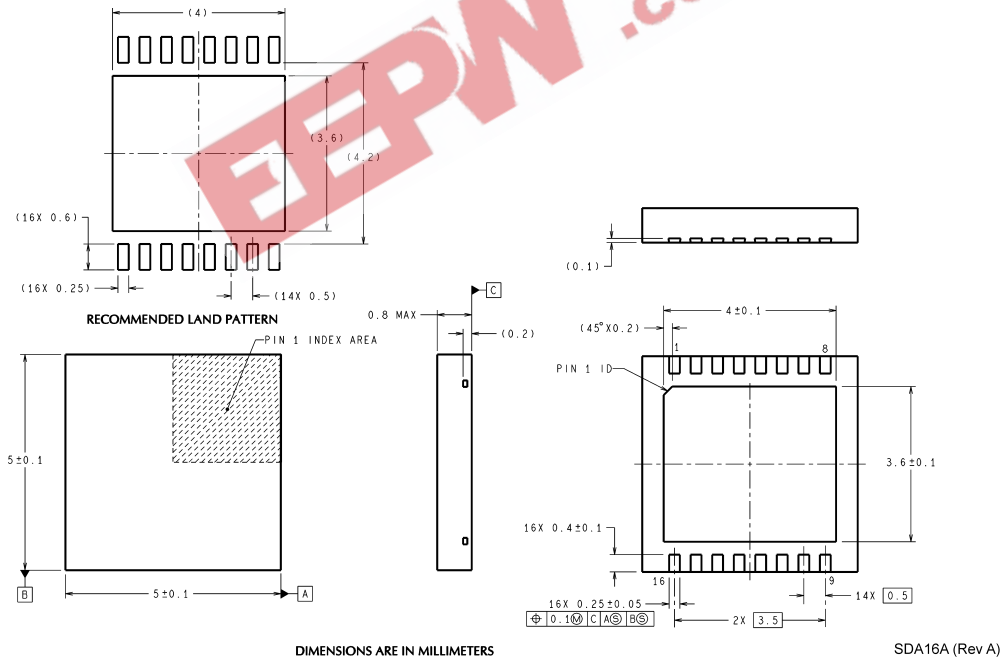
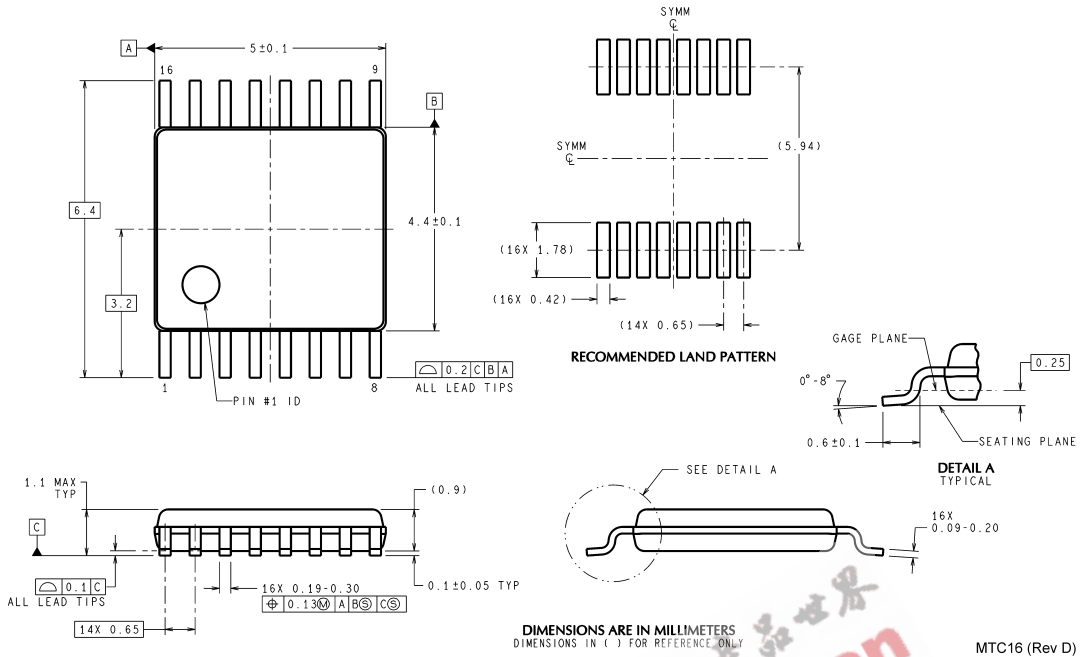
ITEM	PART NUMBER	DESCRIPTION	VALUE
C 1	C4532X7R2A105MT	Capacitor, CER, TDK	1 μ , 100V
C 2	C4532X7R2A105MT	Capacitor, CER, TDK	1 μ , 100V
C 3	C1206C224K5RAC	Capacitor, CER, KEMET	0.22 μ , 50V
C 4	C1206C104K5RAC	Capacitor, CER, KEMET	0.1 μ , 50V
C 5	C1206C104K5RAC	Capacitor, CER, KEMET	0.1 μ , 50V
C 6	C1206C101K1GAC	Capacitor, CER, KEMET	100p, 100V
C 7	C1206C104K5RAC	Capacitor, CER, KEMET	0.1 μ , 50V
C 8	C4532X7S0G686M	Capacitor, CER, TDK	68 μ , 4V
C 9	C4532X7S0G686M	Capacitor, CER, TDK	68 μ , 4V
C 10	C1206C221K1GAC	Capacitor, CER, KEMET	220p, 100V
C 11	C1206C102K5RAC	Capacitor, CER, KEMET	1000p, 500V
D 1	BZX84C10-NSA	Central, 10V Zener, SOT-23	
D 2	CMZ5930B-NSA	Central, 16V Zener, SMA	
D 3	CMPD914-NSA	Central, Switching, SOT-23	
D 4	CMPD914-NSA	Central, Switching, SOT-23	
D 5	CMSH3-40L-NSA	Central, Schottky, SMC	

LM5000EP Enhanced Plastic

ITEM		PART NUMBER	DESCRIPTION	VALUE
T	1	A0009-A	Coilcraft, Transformer	
R	1	CRCW12064992F	Resistor	49.9K
R	2	CRCW12061001F	Resistor	1K
R	3	CRCW12061002F	Resistor	10K
R	4	CRCW12066191F	Resistor	6.19K
R	5	CRCW120610R0F	Resistor	10
R	6	CRCW12062003F	Resistor	200K
R	7	CRCW12061002F	Resistor	10K
Q	1	CXT5551-NSA	Central, NPN, 180V	
U	1	LM5000-3EP	Regulator, National	

EEPW 电子产品世界
.com.cn

Physical Dimensions inches (millimeters)
unless otherwise noted



Notes



LIFE SUPPORT POLICY

NATIONAL'S PRODUCTS ARE NOT AUTHORIZED FOR USE AS CRITICAL COMPONENTS IN LIFE SUPPORT DEVICES OR SYSTEMS WITHOUT THE EXPRESS WRITTEN APPROVAL OF THE PRESIDENT AND GENERAL COUNSEL OF NATIONAL SEMICONDUCTOR CORPORATION. As used herein:

1. Life support devices or systems are devices or systems which, (a) are intended for surgical implant into the body, or (b) support or sustain life, and whose failure to perform when properly used in accordance with instructions for use provided in the labeling, can be reasonably expected to result in a significant injury to the user.
2. A critical component is any component of a life support device or system whose failure to perform can be reasonably expected to cause the failure of the life support device or system, or to affect its safety or effectiveness.

BANNED SUBSTANCE COMPLIANCE

National Semiconductor certifies that the products and packing materials meet the provisions of the Customer Products Stewardship Specification (CSP-9-111C2) and the Banned Substances and Materials of Interest Specification (CSP-9-111S2) and contain no "Banned Substances" as defined in CSP-9-111S2.



National Semiconductor
Americas Customer
Support Center
 Email: new.feedback@nsc.com
 Tel: 1-800-272-9959

www.national.com

National Semiconductor
Europe Customer Support Center
 Fax: +49 (0) 180-530 85 86
 Email: europe.support@nsc.com
 Deutsch Tel: +49 (0) 69 9508 6208
 English Tel: +44 (0) 870 24 0 2171
 Français Tel: +33 (0) 1 41 91 8790

National Semiconductor
Asia Pacific Customer
Support Center
 Email: ap.support@nsc.com

National Semiconductor
Japan Customer Support Center
 Fax: 81-3-5639-7507
 Email: jpn.feedback@nsc.com
 Tel: 81-3-5639-7560