

MICRO ELECTRONICS

M2012G

HIGH BRIGHTNESS
STANDARD GREEN
SURFACE LIGHTING

FEATURES:

AlGaInP/GaAs Standard Green Chip
Green Diffused Lens
Low Power Requirements
Wide Viewing Angle

ABSOLUTE MAXIMUM RATINGS (Ta=25°C)

Power dissipation/Chip	Pd	60mW
Continuous Forward Current/Chip	IF	20mA
Peak Forward Current/Chip (*Pulse Width = 1ms , Duty Ratio = 1/10)	*IFP	100mA
Reverse Voltage	VR	5V
Operating Temperature Range	Topr	-20 to +80°C
Storage Temperature Range	Tstg	-25 to +85°C
Solder Temperature (1/16 Inch from body)		260°C
Maximum Soldering Time(≤260°C)		5 sec

ELECTRO-OPTICAL CHARACTERISTICS (Ta=25°C)

PARAMETER	SYMBOL	MIN	TYP	MAX	UNIT	CONDITIONS
Forward Voltage/Chip	V _F		2.1	2.8	V	I _F =20mA
Reverse Current/Chip	I _R			100	μA	V _R =5V
Peak Wavelength	λ _p		564		nm	I _F =20mA
Dominant Wavelength	λ _d	558	562	566	nm	I _F =20mA
Spectral Line Half Width	Δλ		20		nm	I _F =20mA
Luminous Intensity	IV	5	15		mcd	I _F =10mA/Chip



MICRO ELECTRONICS LTD.

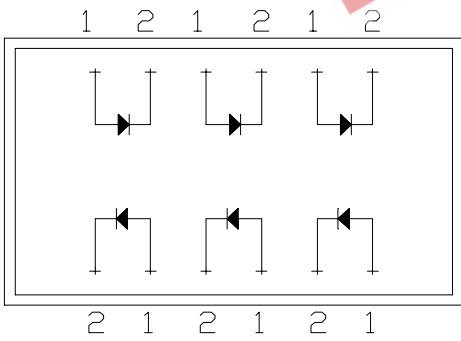
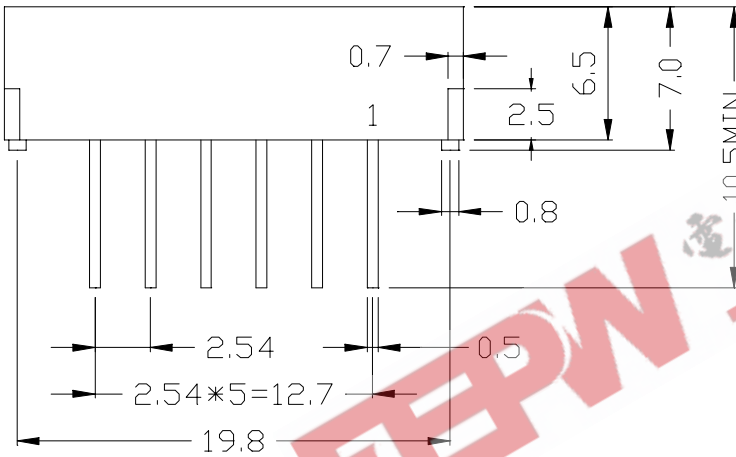
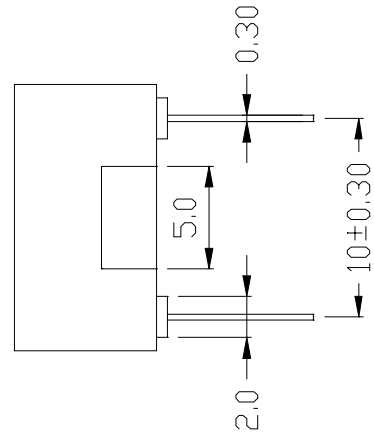
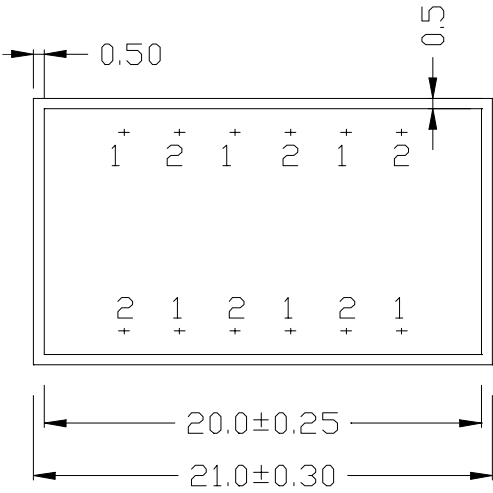
7/F, Enterprise Square Three, 39 Wang Chiu Road, Kowloon Bay, Kowloon, Hong Kong.
TEL: (852) 23430181 FAX: (852) 23410321
HOMEPAGE: <http://www.microelectr.com.hk>

美科有限公司

16/5/2005

Sheet 1 of 2

M2012G



Pin connection :
 1: Anode
 2: Cathode

Unit : mm
 Tol. : ±0.3mm unless otherwise noted

16/5/2005

Sheet 2 of 2