



WIRELESS DOOR CHIME

遙控門鈴 IC

GENERAL DESCRIPTION 功能敘述

The M1D-BL is a CMOS ASIC for wireless door bell receiver use. It will receive the RF signal from M1E (ENCODER) and give a DING-DONG output if address are checked the same..

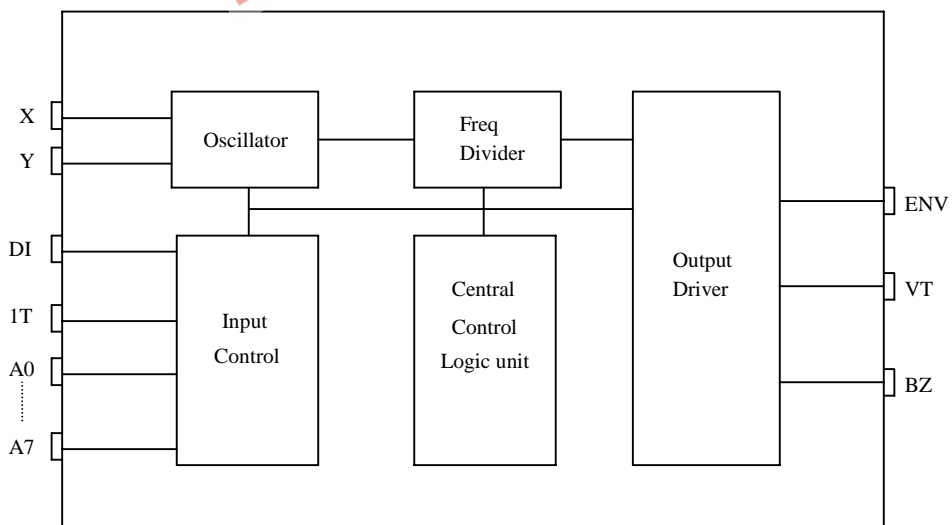
FEATURES 產品特長

- Same Rosc matched to the ENCODER M1E
- $2^8 = 256$ codes, "0", "1" binary
- 3 cycles checked each time
- BZ : DING-DONG / DING-DING sound
- 1T : 1 time option (default 2 times)
- RC envelop

APPLICATIONS 產品應用

- Wireless door bell, visitor chime etc..

BLOCK DIAGRAM 功能方塊圖



*All specs and applications shown above subject to change without prior notice.
(以上電路及規格僅供參考,本公司得逕行修正)



WIRELESS DOOR CHIME
遙控門鈴 IC

M1D-BL

ABSOLUTE MAXIMUM RATING

(TA=25°C)

Parameter	Rating	Unit
Supply Voltage	-0.3 to 5.0	V
Input Voltage	-0.2~V _{DD} +0.2	V
Operating Temperature	-20 to 75	°C
Storage Temperature	-50 to 125	°C

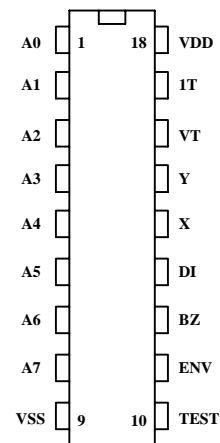
ELECTRICAL CHARACTERISTICS

Characteristics	Sym.	Min.	Typ.	Max.	Unit	Conditions
Operating Voltage	V _{DD}	2.4	4.5	5	V	
Operating Current	I _{OP}	—	1	10	μA	
Quiescent Current	I _{SB}	—	0.3	1	mA	No load
Output Drive Current	I _O	1	—	—	mA	@ V _{DS} =1.2V
Input Voltage	V _{IH}	V _{DD} -0.2	V _{DD}	V _{DD}	V	
	V _{IL}	V _{SS}	V _{SS}	V _{SS} +0.2	V	
Oscillator Frequency	Fosc	—	80	—	KHz	External± 30%

PIN DESCRIPTION

No.	Name	Description
1~8	A0~A7	3 states address inputs
9	VSS	Negative power supply
10	TEST	Testing use
11	ENV	RC envelop
12	BZ	Audio output
13	DI	Data input
14	X	Oscillator input
15	Y	Oscillator output
16	VT	Valid transmit
17	1T	OPEN : 2 times VDD : 1 time
18	VDD	Positive power supply

M1D-BL

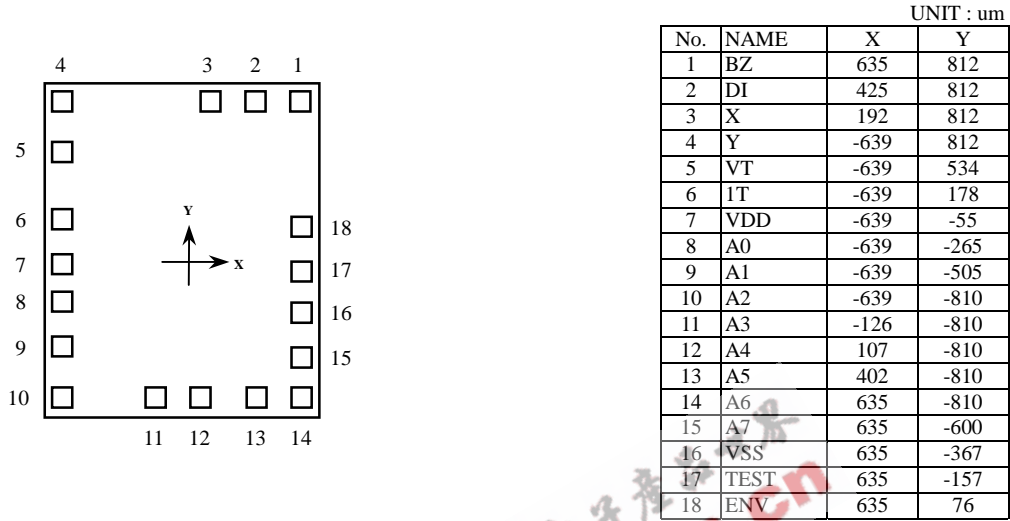




WIRELESS DOOR CHIME
遙控門鈴 IC

M1D-BL

PAD ASSIGNMENT & POSITION

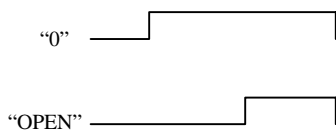


* CHIP SIZE ~ 1.7 x 2.2 mm²

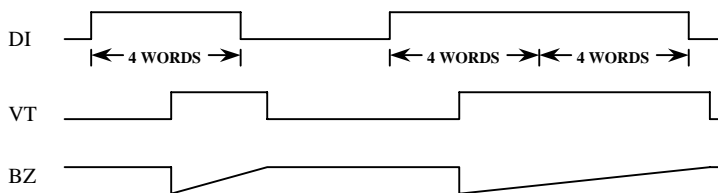
* IC substrate should be connected to VDD in PCB(PCB 上 IC 底座必須接 VDD)

TIMING WAVEFORM

(1) BIT FORMAT



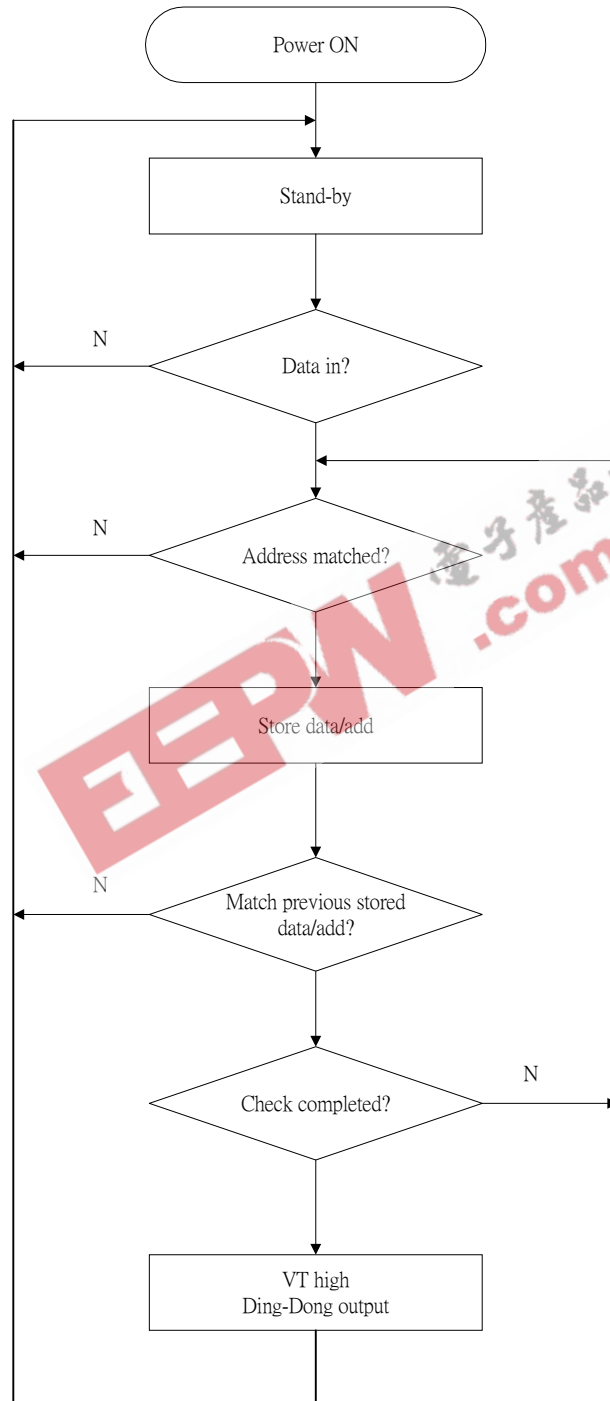
(2) TIMING DIAGRAM





WIRELESS DOOR CHIME
遙控門鈴 IC

OPERATION FLOWCHART

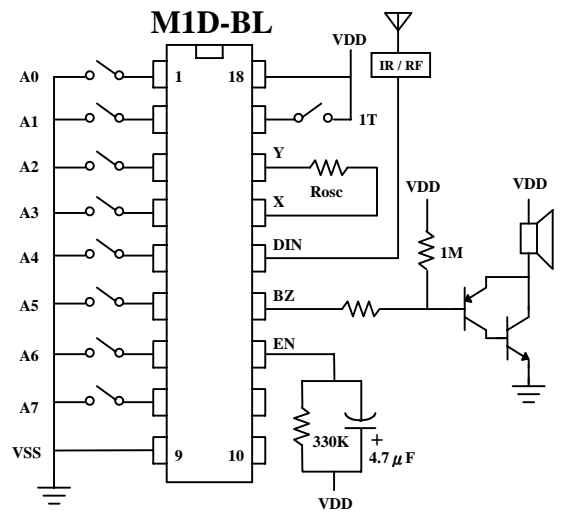
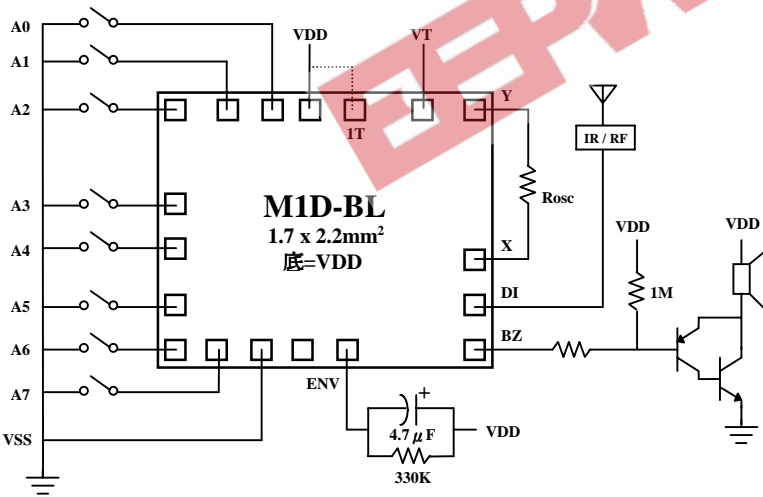
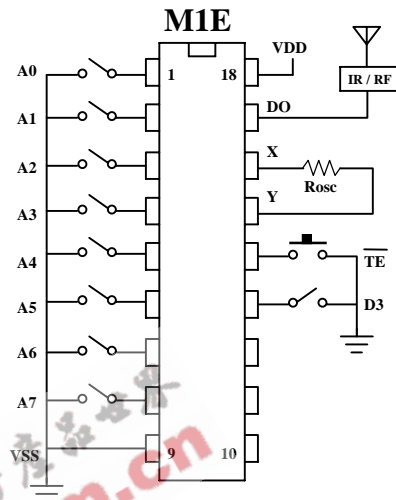
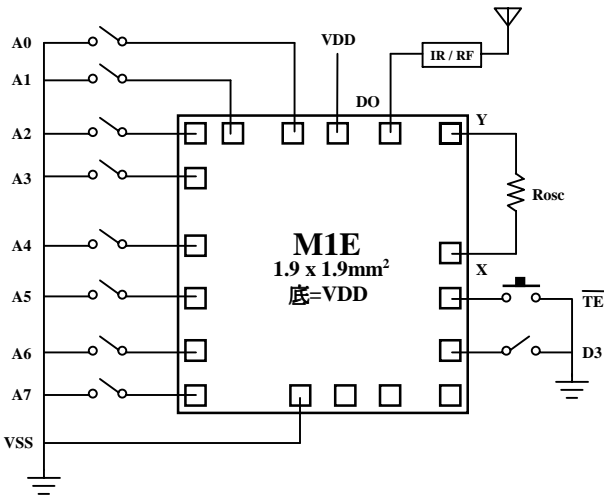




WIRELESS DOOR CHIME

遙控門鈴 IC

APPLICATION DIAGRAM 參考電路圖



D3	SOUND
OPEN	DING DONG
VSS	DING DING