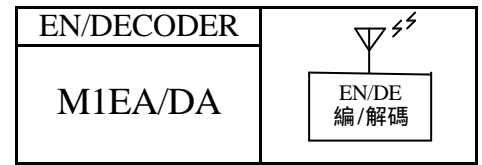




SAME Rosc in EN/DE
S.O.DIP

使用同一電阻



FEATURES 功能敘述

Momentary DATA suffix-M.

S.O.Package 18P suffix-S.

Direct Data Transmit suffix-H : switch to VDD.

BIT FORMAT

"0"

"1"

PROTOCOL

\overline{TE}

DO

VT

DO-3

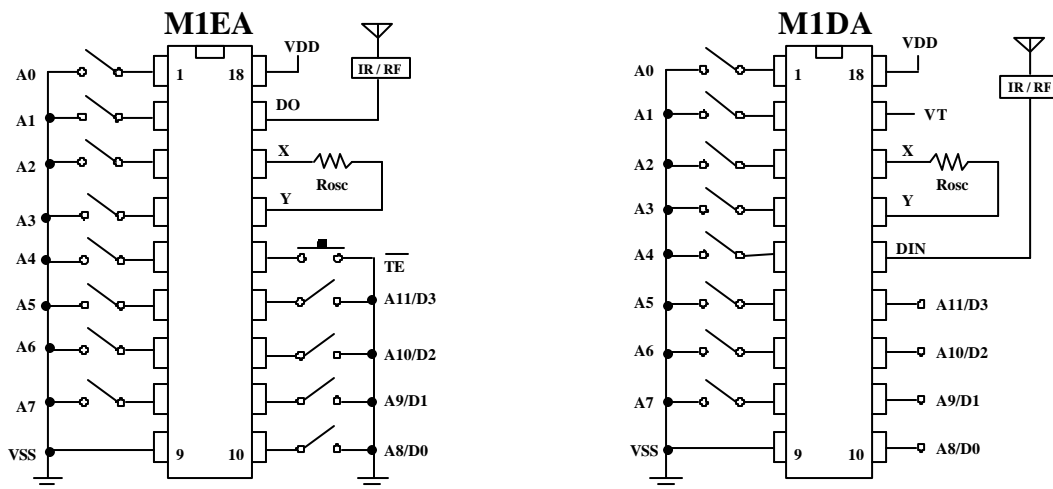
APPLICATION 產品應用

Security alarm, Remote control. 防盜系統, 任何遙控裝置.

ELECTRICAL CHARACTERISTICS 電氣規格

| Characteristics | Sym. | Min. | Typ. | Max. | Unit | REMARKS |
|----------------------------|-----------|------|------|------|---------|---------------------|
| 工作電壓 Operating Voltage | V_{DD} | 2.4 | | 13 | V | |
| 工作電流 Operating Current | I_{OP} | | 0.1 | 1 | mA | No load |
| 靜態電流 Quiescent Current | I_{SB} | | 1 | 10 | μA | |
| 推動電流 Driving Current | I_{OL} | | 2 | | mA | @ $V_{DS}=1.2V$ |
| 振盪頻率 Oscillator Frequency | F_{OSC} | | 76 | | KHz | External $\pm 30\%$ |
| 工作溫度 Operating Temperature | Temp. | -20 | 25 | 60 | | |

APPLICATION DIAGRAM 參考電路圖



* Rosc~M1EA : 270 K , M1DA : 270 K

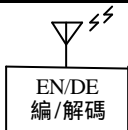
* All specs and applications shown above subject to change without prior notice.

(以上電路及規格僅供參考,本公司得逕行修正)



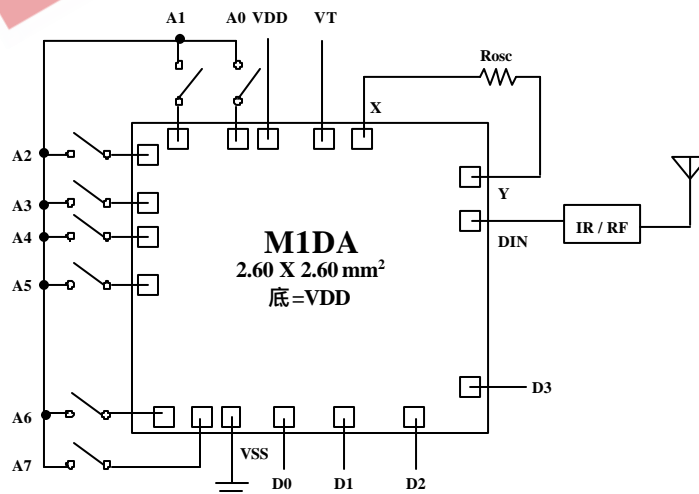
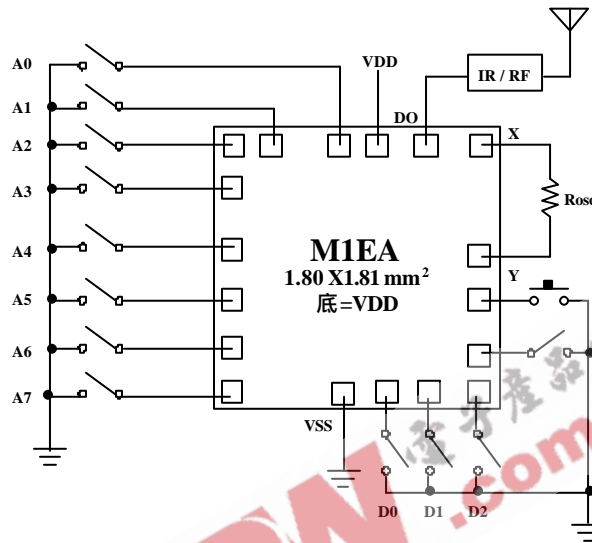
SAME Rosc in EN/DE
S.O.DIP

使用同一電阻

| | |
|------------|---|
| EN/DECODER |  |
| M1EA/DA | |

APPLICATION DIAGRAM 參考電路圖

CHIP FORM



* Rosc~M1EA : 270 K , M1DA : 270 K

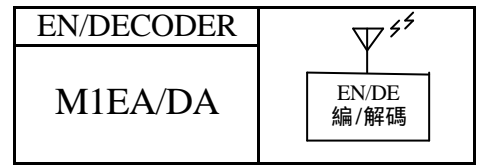
* All specs and applications shown above subject to change without prior notice.

(以上電路及規格僅供參考,本公司得逕行修正)



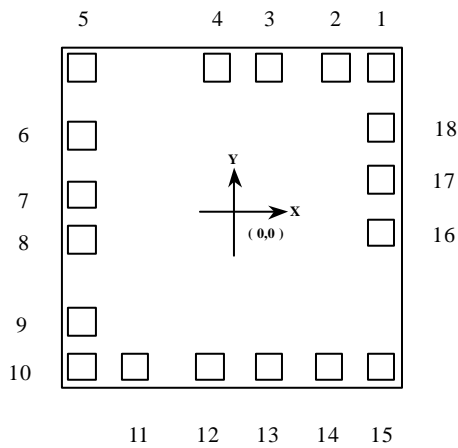
SAME Rosc in EN/DE
S.O.DIP

使用同一電阻



PAD ASSIGNMENT & POSITION

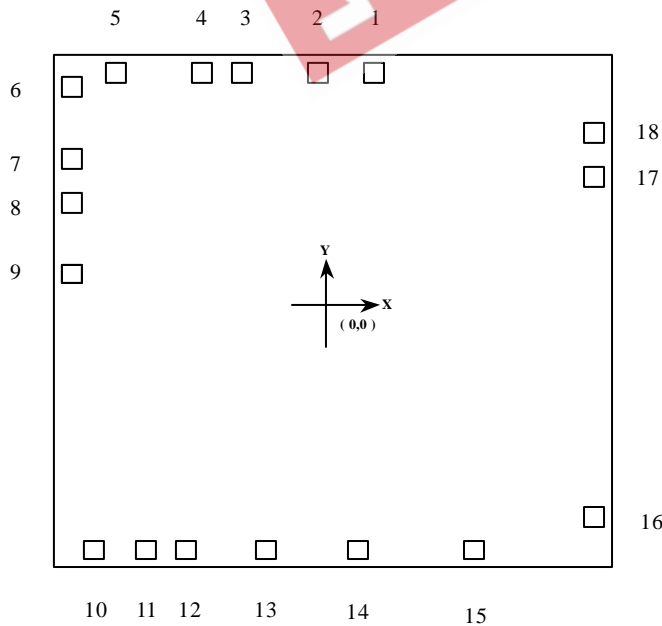
M1EA :



UNIT : um

| No. | NAME | X | Y |
|-----|----------|--------|-------|
| 1 | A10 / D2 | 728 | 732.5 |
| 2 | A11 / D3 | 528 | 732.5 |
| 3 | TEB | 211 | 732.5 |
| 4 | Y | -31.5 | 732.5 |
| 5 | X | -728.5 | 732.5 |
| 6 | DOUT | -728.5 | 376.5 |
| 7 | VDD | -728.5 | 36 |
| 8 | A0 | -728.5 | -164 |
| 9 | A1 | -728.5 | -533 |
| 10 | A2 | -728.5 | -733 |
| 11 | A3 | -480.5 | -733 |
| 12 | A4 | -101 | -733 |
| 13 | A5 | 184 | -733 |
| 14 | A6 | 480 | -733 |
| 15 | A7 | 728 | -733 |
| 16 | VSS | 728 | -66 |
| 17 | A8 / D0 | 728 | 183 |
| 18 | A9 / D1 | 728 | 431.5 |

M1DA :



UNIT : um

| No. | NAME | X | Y |
|-----|----------|--------|--------|
| 1 | X | 259.5 | 1096.5 |
| 2 | VT | -9.5 | 1096.5 |
| 3 | VDD | -347 | 1096.5 |
| 4 | A0 | -547 | 1096.5 |
| 5 | A1 | -950 | 1096.5 |
| 6 | A2 | -1150 | 1025 |
| 7 | A3 | -1150 | 702 |
| 8 | A4 | -1150 | 502 |
| 9 | A5 | -1150 | 179 |
| 10 | A6 | -1043 | -1100 |
| 11 | A7 | -799.5 | -1100 |
| 12 | VSS | -599.5 | -1100 |
| 13 | A8 / D0 | -251 | -1100 |
| 14 | A9 / D1 | 169 | -1100 |
| 15 | A10 / D2 | 696 | -1100 |
| 16 | A11 / D3 | 1145.5 | -946 |
| 17 | DIN | 1086 | 590 |
| 18 | Y | 1086 | 790 |

* M1EA CHIP SIZE ~ 1.80 X 1.81 mm²

* M1DA CHIP SIZE ~ 2.60 X 2.60 mm²

* IC substrate should be connected to VDD in PCB (PCB 上 IC 必須接 VDD)