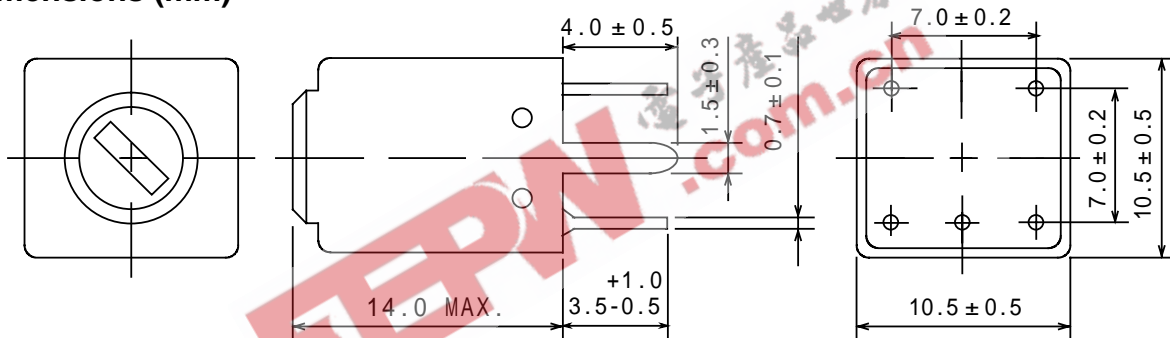


Type: M-10B
Product Description

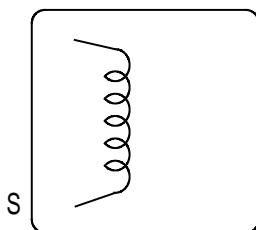
- 11.0×11.0mm Max.(L×W), 14.0mm Max. Height.
- Inductance: 20mH Max.
- Operating frequency: 500kHz Max.
- In addition to the standard versions of parameters shown here, custom designs are available to meet your exact requirements.


Feature

- High inductance variable shielded type.
- Can be used as DC-DC converter transformer.
- RoHS Compliance

Dimensions (mm)


- * Dimension does not include solder used on coil.
- * Pin pitch should be measured at the root of terminal.

Connection (Bottom View)


“ S ” is winding start.

Type: M-10B
Specification

No.	Part No.	Stamp	Inductance [Variable] 1	Unloaded Q [Min.] 1	D.C.R.(Ω) [Max.] (at 20 °C)	Rated Current (mA) [Ref.] 2
01	M1ØBNP-1Ø2	102	1.0mH ± 6%	70	2.8	70
02	M1ØBNP-122	122	1.2mH ± 6%	70	3.7	65
03	M1ØBNP-152	152	1.5mH ± 6%	70	4.5	63
04	M1ØBNP-182	182	1.8mH ± 6%	70	4.8	60
05	M1ØBNP-222	222	2.2mH ± 6%	75	6.9	55
06	M1ØBNP-272	272	2.7mH ± 6%	75	8.4	53
07	M1ØBNP-332	332	3.3mH ± 6%	75	11.1	47
08	M1ØBNP-392	392	3.9mH ± 6%	75	12.7	42
09	M1ØBNP-472	472	4.7mH ± 6%	75	15.3	38
10	M1ØBNP-562	562	5.6mH ± 6%	80	16.9	35
11	M1ØBNP-682	682	6.8mH ± 6%	80	19.5	32
12	M1ØBNP-822	822	8.2mH ± 6%	80	28.3	31
13	M1ØBNP-1Ø3	103	10mH ± 6%	80	31.6	28
14	M1ØBNP-123	123	12mH ± 6%	75	46.6	20
15	M1ØBNP-153	153	15mH ± 6%	75	53.3	17
16	M1ØBNP-183	183	18mH ± 6%	75	59.7	10
17	M1ØBNP-223	223	22mH ± 6%	70	81.3	8
18	M1ØBNP-273	273	27mH ± 6%	70	87.7	7
19	M1ØBNP-333	333	33mH ± 6%	70	105.4	5

1 Measuring frequency: Inductance at 1 kHz ; Unloaded Q: at 100 kHz

2 Rated current: The D.C. current at which the inductance decreases to 95% of its initial value or when $t=40$, whichever is lower ($T_a=20$ °C).