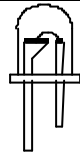




LED FLASH	
M18109A	

來電顯示控制 IC

FEATURES 功能敘述

- Built-in oscillator.
- Motor : motor output pin.
- Power-ON blinking.
- LED : 2 Hz 1/10 duty sequence.

P/N	Fosc	Power-ON blinking	ON Line blinking
-1	200 KHz	2.5 sec	7 sec
-2	100 KHz	5 sec	16 sec

APPLICATION 產品應用

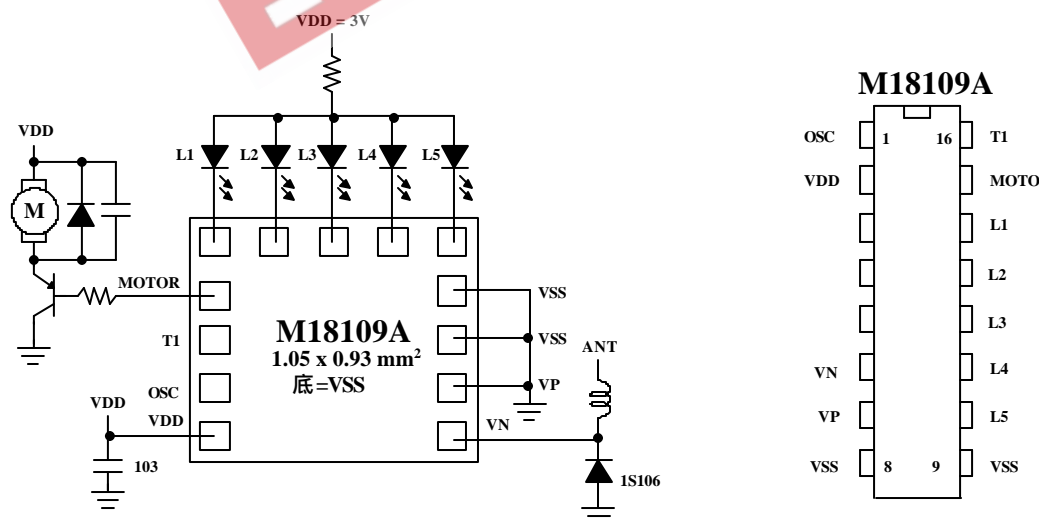
Key chain, Mobile phone, Toys.

ELECTRICAL CHARACTERISTICS 電氣規格

(@ $V_{DD}=3V$ unless otherwise specified)

Characteristics	Sym.	Min.	Typ.	Max.	Unit	REMARKS
工作電壓 Operating Voltage	V_{DD}		3	4.5	V	
工作電流 Operating Current	I_{OP}		0.1	0.5	mA	No load
靜態電流 Quiescent Current	I_{SB}		1	5	μA	
推動電流 Driving Current	I_{OL}	20			mA	@ $V_{DS}=1.2V$
振盪頻率 Oscillator Frequency	F_{OSC}		100		KHz	$\pm 30\%$ TOL.
工作溫度 Operating Temperature	Temp.	0	25	60		

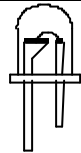
APPLICATION DIAGRAM 參考電路圖



*All specs and applications shown above subject to change without prior notice.

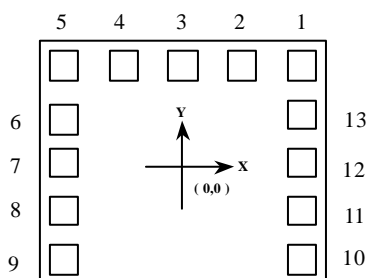
(以上電路及規格僅供參考,本公司得逕行修正)



LED FLASH	
M18109A	

來電顯示控制 IC

PAD ASSIGNMENT&POSITION



Unit : um

NO	NAME	X	Y
1	L5	357.5	301
2	L4	187.5	301
3	L3	7.5	301
4	L2	-172.5	301
5	L1	-357.7	301
6	MOTO	-357.7	138.2
7	T1	-353.2	4.5
8	OSC	-357.7	-147.8
9	VDD	-357.7	-302.8
10	VN	357.5	-324.3
11	VP	357.5	-164
12	VSS	357.5	-9
13	VSS	357.5	146

* CHIP SIZE ~ 1.05 x 0.93 mm²

* IC substrate should be connected to VSS in PCB (PCB 上 IC 必須接 VSS)
(以上電路及規格僅供參考,本公司得逕行修正)