

UTCM28S

NPN EPITAXIAL SILICON TRANSISTOR

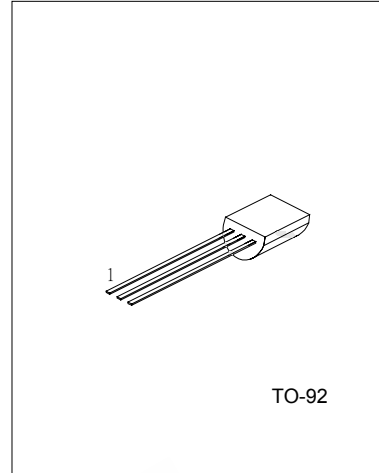
AUDIO OUTPUT DRIVER
AMPLIFIER

FEATURES

- *Excellent HFE linearity
- *High DC Current Gain
- *High Power Dissipation

APPLICATION

- *Audio output driver amplifier
- *General purpose switch



TO-92

1:EMITTER 2:COLLECTOR 3:BASE

ABSOLUTE MAXIMUM RATINGS (Ta=25°C ,unless otherwise specified)

PARAMETERS	SYMBOL	RATING	UNITS
Collector-base voltage	V _{CB0}	40	V
Collector-emitter voltage	V _{CEO}	20	V
Emitter-base voltage	V _{EB0}	6	V
Collector dissipation(Ta=25°C)	P _c	850	mW
Collector current	I _c	1.25	A
Base current	I _B	0.4	A
Junction Temperature	T _j	150	°C
Storage Temperature	T _{STG}	-55 ~ +150	°C

ELECTRICAL CHARACTERISTICS(Ta=25°C,unless otherwise specified)

PARAMETER	SYMBOL	TEST CONDITIONS	MIN	TYP	MAX	UNIT
Collector-base voltage	V _{CB0}	I _c =0.1mA	40			V
Collector-emitter voltage	V _{CEO}	I _c =1mA	20			V
Emitter-base voltage	V _{EB0}	I _E =0.1mA	6			V
Collector cut-off current	I _{CBO}	V _{CB} =35V, I _E =0			100	nA
Emitter cut-off current	I _{EB0}	V _{EB} =5V, I _c =0			100	nA
DC current gain(note)	h _{FE1}	V _{CE} =1V, I _c =1mA	290		1000	
	h _{FE2}	V _{CE} =1V, I _c =0.1A	300			
	h _{FE3}	V _{CE1} =1V, I _c =0.3A	300			
	h _{FE4}	V _{CE} =1V, I _c =0.5A	300			
Collector-emitter saturation voltage	V _{CE(sat)}	I _c =600mA, I _B =20mA			0.55	V
Current gain bandwidth product	f _T	V _{CE} =10V, I _c =50mA, f=1MHz	100			MHz
Output capacitance	C _{ob}	V _{CB} =10V, I _E =0, f=1MHz		9		pF

UTC M28S

NPN EPITAXIAL SILICON TRANSISTOR

CLASSIFICATION OF hFE2

RANK	B	C	D
RANGE	300-550	500-700	650-1000

EEPW 电子產品世界
.com.cn

UTC assumes no responsibility for equipment failures that result from using products at values that exceed, even momentarily, rated values (such as maximum ratings, operating condition ranges, or other parameters) listed in products specifications of any and all UTC products described or contained herein. UTC products are not designed for use in life support appliances, devices or systems where malfunction of these products can be reasonably expected to result in personal injury. Reproduction in whole or in part is prohibited without the prior written consent of the copyright owner. The information presented in this document does not form part of any quotation or contract, is believed to be accurate and reliable and may be changed without notice.

UTC UNISONIC TECHNOLOGIES CO. LTD

2

QW-R201-015,A