



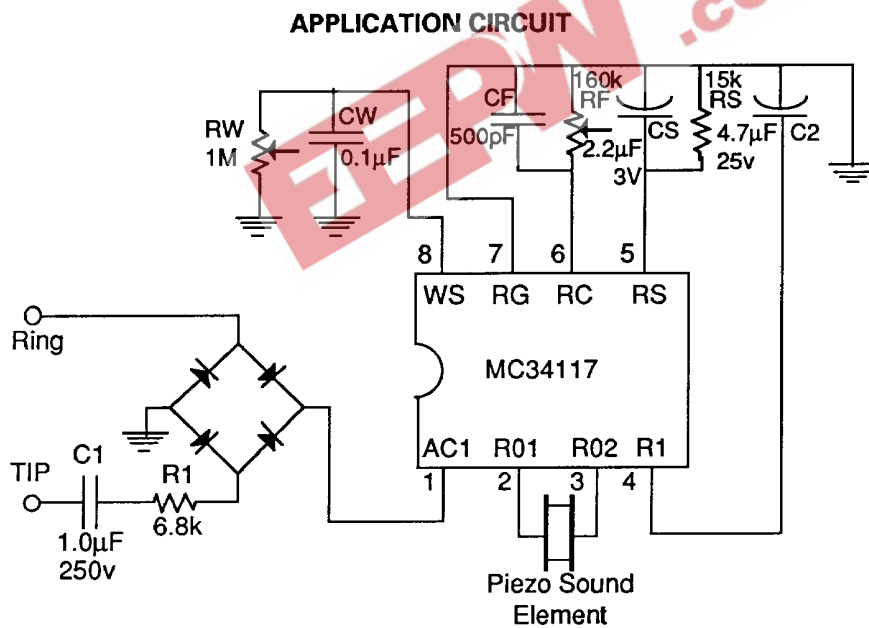
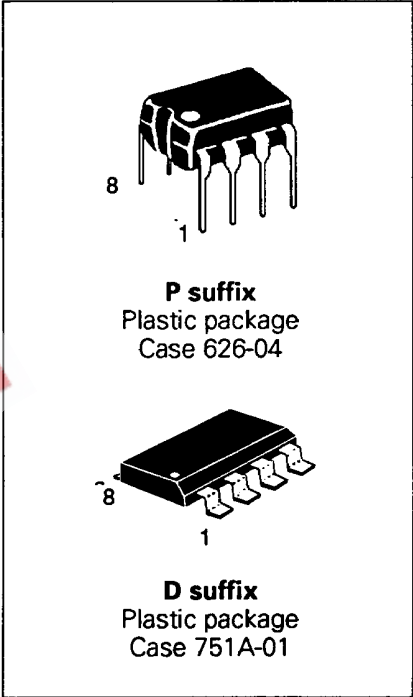
MOTOROLA

MC34117

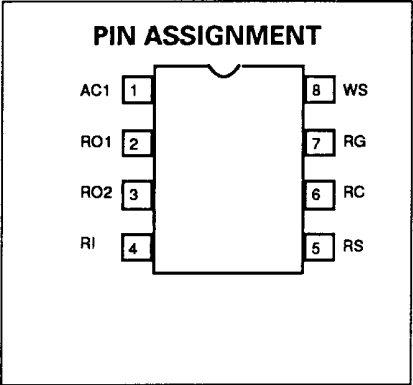
Product Preview

Telephone tone ringer

- Complete telephone bell replacement circuit with minimum external components.
- Direct drive for piezoelectric transducers.
- Push pull output stage for greater output power capability.
- Tone output frequency adjustable, 500Hz to 2,000Hz
- Warble frequency adjustable, 6Hz to 25Hz
- Input impedance signature meets Bell and EIA standards.
- Reject rotary dial transients.



RW: Warble frequency adjust resistor
RF: Fundamental frequency adjust resistor



Ordering information
MC34117P Plastic DIP
MC34117D SOIC