

Analog Multiplexers/ Demultiplexers

High-Performance Silicon-Gate CMOS

The MC54/74HC4051, MC74HC4052 and MC54/74HC4053 utilize silicon-gate CMOS technology to achieve fast propagation delays, low ON resistances, and low OFF leakage currents. These analog multiplexers/demultiplexers control analog voltages that may vary across the complete power supply range (from V_{CC} to V_{EE}).

The HC4051, HC4052 and HC4053 are identical in pinout to the metal-gate MC14051B, MC14052B and MC14053B. The Channel-Select inputs determine which one of the Analog Inputs/Outputs is to be connected, by means of an analog switch, to the Common Output/Input. When the Enable pin is HIGH, all analog switches are turned off.

The Channel-Select and Enable inputs are compatible with standard CMOS outputs; with pullup resistors they are compatible with LSTTL outputs.

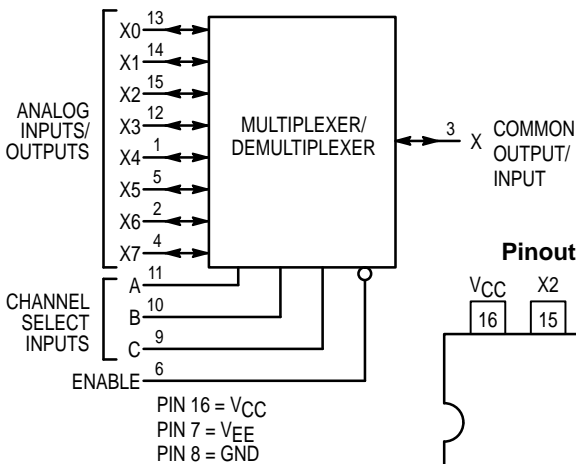
These devices have been designed so that the ON resistance (R_{ON}) is more linear over input voltage than R_{ON} of metal-gate CMOS analog switches.

For multiplexers/demultiplexers with channel-select latches, see HC4351, HC4352 and HC4353.

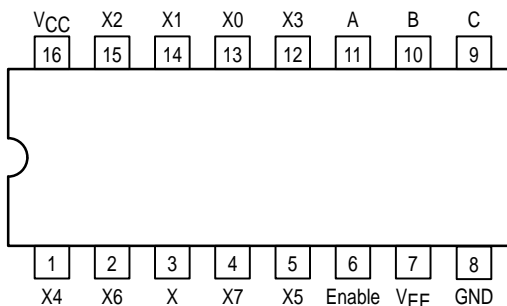
- Fast Switching and Propagation Speeds
- Low Crosstalk Between Switches
- Diode Protection on All Inputs/Outputs
- Analog Power Supply Range ($V_{CC} - V_{EE}$) = 2.0 to 12.0 V
- Digital (Control) Power Supply Range ($V_{CC} - GND$) = 2.0 to 6.0 V
- Improved Linearity and Lower ON Resistance Than Metal-Gate Counterparts
- Low Noise
- In Compliance With the Requirements of JEDEC Standard No. 7A
- Chip Complexity: HC4051 — 184 FETs or 46 Equivalent Gates
 HC4052 — 168 FETs or 42 Equivalent Gates
 HC4053 — 156 FETs or 39 Equivalent Gates

LOGIC DIAGRAM MC54/74HC4051

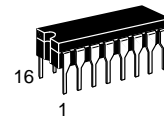
Single-Pole, 8-Position Plus Common Off



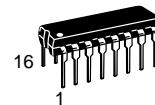
Pinout: MC54/74HC4051 (Top View)



MC54/74HC4051 MC74HC4052 MC54/74HC4053



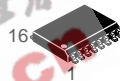
J SUFFIX
CERAMIC PACKAGE
CASE 620-10



N SUFFIX
PLASTIC PACKAGE
CASE 648-08



D SUFFIX
SOIC PACKAGE
CASE 751B-05



DW SUFFIX
SOIC PACKAGE
CASE 751G-02



DT SUFFIX
TSSOP PACKAGE
CASE 948F-01

ORDERING INFORMATION

| | |
|--------------|-----------|
| MC54HCXXXXJ | Ceramic |
| MC74HCXXXXN | Plastic |
| MC74HCXXXXD | SOIC |
| MC74HCXXXXDW | SOIC Wide |
| MC74HCXXXXDT | TSSOP |

FUNCTION TABLE – MC54/74HC4051

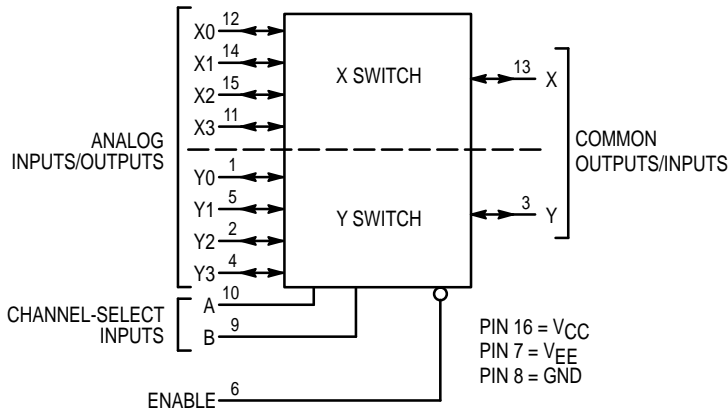
| Control Inputs | | Select | | | ON Channels |
|----------------|---|--------|---|------|-------------|
| Enable | C | B | A | | |
| L | L | L | L | X0 | |
| L | L | L | H | X1 | |
| L | L | H | L | X2 | |
| L | L | H | H | X3 | |
| L | H | L | L | X4 | |
| L | H | L | H | X5 | |
| L | H | H | L | X6 | |
| L | H | H | H | X7 | |
| H | X | X | X | NONE | |

X = Don't Care



MC54/74HC4051 MC74HC4052 MC54/74HC4053

**LOGIC DIAGRAM
MC74HC4052
Double-Pole, 4-Position Plus Common Off**

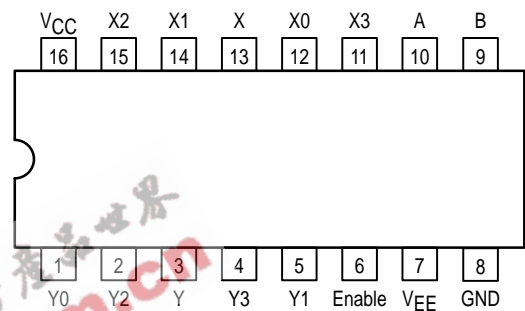


FUNCTION TABLE – MC74HC4052

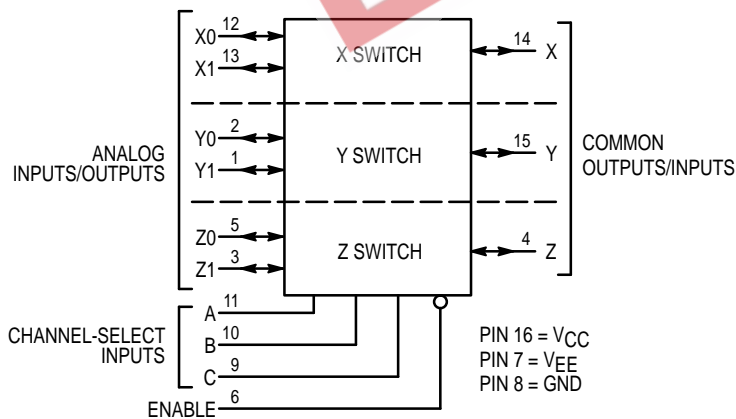
| Control Inputs | | | | | |
|----------------|--------|---|-------------|----|--|
| Enable | Select | | ON Channels | | |
| | B | A | | | |
| L | L | L | Y0 | X0 | |
| L | L | H | Y1 | X1 | |
| L | H | L | Y2 | X2 | |
| L | H | H | Y3 | X3 | |
| H | X | X | NONE | | |

X = Don't Care

Pinout: MC74HC4052 (Top View)



**LOGIC DIAGRAM
MC54/74HC4053
Triple Single-Pole, Double-Position Plus Common Off**

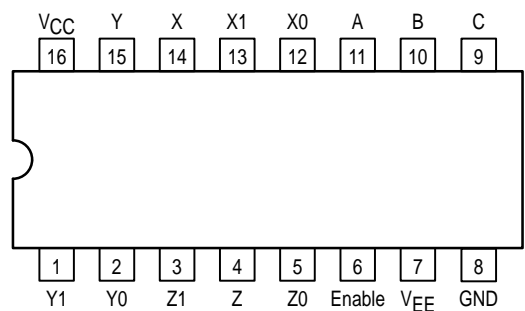


FUNCTION TABLE – MC54/74HC4053

| Control Inputs | | | | | | | |
|----------------|--------|---|---|-------------|----|----|--|
| Enable | Select | | | ON Channels | | | |
| | C | B | A | | | | |
| L | L | L | L | Z0 | Y0 | X0 | |
| L | L | L | H | Z0 | Y0 | X1 | |
| L | L | H | L | Z0 | Y1 | X0 | |
| L | L | H | H | Z0 | Y1 | X1 | |
| L | H | L | L | Z1 | Y0 | X0 | |
| L | H | L | H | Z1 | Y0 | X1 | |
| L | H | H | L | Z1 | Y1 | X0 | |
| L | H | H | H | Z1 | Y1 | X1 | |
| H | X | X | X | NONE | | | |

X = Don't Care

Pinout: MC54/74HC4053 (Top View)



NOTE: This device allows independent control of each switch. Channel-Select Input A controls the X-Switch, Input B controls the Y-Switch and Input C controls the Z-Switch

MAXIMUM RATINGS*

| Symbol | Parameter | Value | Unit |
|-----------|--|-------------------------------------|------|
| V_{CC} | Positive DC Supply Voltage (Referenced to GND) (Referenced to V_{EE}) | - 0.5 to + 7.0 - 0.5 to + 14.0 | V |
| V_{EE} | Negative DC Supply Voltage (Referenced to GND) | - 7.0 to + 5.0 | V |
| V_{IS} | Analog Input Voltage | $V_{EE} - 0.5$ to $V_{CC} + 0.5$ | V |
| V_{in} | Digital Input Voltage (Referenced to GND) | - 0.5 to $V_{CC} + 0.5$ | V |
| I | DC Current, Into or Out of Any Pin | ± 25 | mA |
| P_D | Power Dissipation in Still Air, Plastic or Ceramic DIP† SOIC Package† TSSOP Package† | 750 500 450 | mW |
| T_{stg} | Storage Temperature Range | - 65 to + 150 | °C |
| T_L | Lead Temperature, 1 mm from Case for 10 Seconds Plastic DIP, SOIC or TSSOP Package Ceramic DIP | 260 300 | °C |

This device contains protection circuitry to guard against damage due to high static voltages or electric fields. However, precautions must be taken to avoid applications of any voltage higher than maximum rated voltages to this high-impedance circuit. For proper operation, V_{in} and V_{out} should be constrained to the range $GND \leq (V_{in} \text{ or } V_{out}) \leq V_{CC}$. Unused inputs must always be tied to an appropriate logic voltage level (e.g., either GND or V_{CC}). Unused outputs must be left open.

* Maximum Ratings are those values beyond which damage to the device may occur. Functional operation should be restricted to the Recommended Operating Conditions.

† Derating — Plastic DIP: - 10 mW/°C from 65° to 125°C
Ceramic DIP: - 10 mW/°C from 100° to 125°C
SOIC Package: - 7 mW/°C from 65° to 125°C
TSSOP Package: - 6.1 mW/°C from 65° to 125°C

For high frequency or heavy load considerations, see Chapter 2 of the Motorola High-Speed CMOS Data Book (DL129/D).

RECOMMENDED OPERATING CONDITIONS

| Symbol | Parameter | Min | Max | Unit | |
|------------|---|--|-------------|--------------------|----|
| V_{CC} | Positive DC Supply Voltage (Referenced to GND) (Referenced to V_{EE}) | 2.0 2.0 | 6.0 12.0 | V | |
| V_{EE} | Negative DC Supply Voltage, Output (Referenced to GND) | - 6.0 | GND | V | |
| V_{IS} | Analog Input Voltage | V_{EE} | V_{CC} | V | |
| V_{in} | Digital Input Voltage (Referenced to GND) | GND | V_{CC} | V | |
| V_{IO}^* | Static or Dynamic Voltage Across Switch | | 1.2 | V | |
| T_A | Operating Temperature Range, All Package Types | - 55 | + 125 | °C | |
| t_r, t_f | Input Rise/Fall Time (Channel Select or Enable Inputs) | $V_{CC} = 2.0$ V $V_{CC} = 4.5$ V $V_{CC} = 6.0$ V | 0 0 0 | 1000 500 400 | ns |

* For voltage drops across switch greater than 1.2V (switch on), excessive V_{CC} current may be drawn; i.e., the current out of the switch may contain both V_{CC} and switch input components. The reliability of the device will be unaffected unless the Maximum Ratings are exceeded.

MC54/74HC4051 MC74HC4052 MC54/74HC4053

DC CHARACTERISTICS — Digital Section (Voltages Referenced to GND) $V_{EE} = \text{GND}$, Except Where Noted

| Symbol | Parameter | Condition | V _{CC} V | Guaranteed Limit | | | Unit |
|-----------------|---|---|----------------------|------------------|-------|--------|------|
| | | | | -55 to 25°C | ≤85°C | ≤125°C | |
| V _{IH} | Minimum High-Level Input Voltage, Channel-Select or Enable Inputs | R _{On} = Per Spec | 2.0 | 1.50 | 1.50 | 1.50 | V |
| | | | 4.5 | 3.15 | 3.15 | 3.15 | |
| | | | 6.0 | 4.20 | 4.20 | 4.20 | |
| V _{IL} | Maximum Low-Level Input Voltage, Channel-Select or Enable Inputs | R _{On} = Per Spec | 2.0 | 0.3 | 0.3 | 0.3 | V |
| | | | 4.5 | 0.9 | 0.9 | 0.9 | |
| | | | 6.0 | 1.2 | 1.2 | 1.2 | |
| I _{in} | Maximum Input Leakage Current, Channel-Select or Enable Inputs | V _{in} = V _{CC} or GND, V _{EE} = -6.0 V | 6.0 | ±0.1 | ±1.0 | ±1.0 | μA |
| I _{CC} | Maximum Quiescent Supply Current (per Package) | Channel Select, Enable and V _{IS} = V _{CC} or GND; V _{EE} = GND V _{IO} = 0 V V _{EE} = -6.0 | 6.0 | 2 | 20 | 40 | μA |
| | | | 6.0 | 8 | 80 | 160 | |

NOTE: Information on typical parametric values can be found in Chapter 2 of the Motorola High-Speed CMOS Data Book (DL129/D).

DC CHARACTERISTICS — Analog Section

| Symbol | Parameter | Condition | V _{CC} | V _{EE} | Guaranteed Limit | | | Unit |
|------------------|--|---|---|---|------------------|-------|--------|------|
| | | | | | -55 to 25°C | ≤85°C | ≤125°C | |
| R _{On} | Maximum "ON" Resistance | V _{in} = V _{IL} or V _{IH} ; V _{IS} = V _{CC} to V _{EE} ; I _S ≤ 2.0 mA (Figures 1, 2) | 4.5 | 0.0 | 190 | 240 | 280 | Ω |
| | | | 4.5 | -4.5 | 120 | 150 | 170 | |
| | | 6.0 | -6.0 | 100 | 125 | 140 | | |
| | | V _{in} = V _{IL} or V _{IH} ; V _{IS} = V _{CC} or V _{EE} (Endpoints); I _S ≤ 2.0 mA (Figures 1, 2) | 4.5 | 0.0 | 150 | 190 | 230 | |
| 4.5 | -4.5 | | 100 | 125 | 140 | | | |
| 6.0 | -6.0 | 80 | 100 | 115 | | | | |
| ΔR _{On} | Maximum Difference in "ON" Resistance Between Any Two Channels in the Same Package | V _{in} = V _{IL} or V _{IH} ; V _{IS} = 1/2 (V _{CC} - V _{EE}); I _S ≤ 2.0 mA | 4.5 | 0.0 | 30 | 35 | 40 | Ω |
| | | | 4.5 | -4.5 | 12 | 15 | 18 | |
| | | | 6.0 | -6.0 | 10 | 12 | 14 | |
| I _{off} | Maximum Off-Channel Leakage Current, Any One Channel | V _{in} = V _{IL} or V _{IH} ; V _{IO} = V _{CC} - V _{EE} ; Switch Off (Figure 3) | 6.0 | -6.0 | 0.1 | 0.5 | 1.0 | μA |
| | | | Maximum Off-Channel Leakage Current, Common Channel | HC4051 V _{in} = V _{IL} or V _{IH} ; HC4052 V _{IO} = V _{CC} - V _{EE} ; HC4053 Switch Off (Figure 4) | 6.0 | -6.0 | 0.2 | |
| | 6.0 | -6.0 | | | 0.1 | 1.0 | 2.0 | |
| | 6.0 | -6.0 | | | 0.1 | 1.0 | 2.0 | |
| I _{on} | Maximum On-Channel Leakage Current, Channel-to-Channel | HC4051 V _{in} = V _{IL} or V _{IH} ; HC4052 Switch-to-Switch = V _{CC} - V _{EE} ; (Figure 5) HC4053 | 6.0 | -6.0 | 0.2 | 2.0 | 4.0 | μA |
| | | | 6.0 | -6.0 | 0.1 | 1.0 | 2.0 | |
| | | | 6.0 | -6.0 | 0.1 | 1.0 | 2.0 | |
| | | | 6.0 | -6.0 | 0.1 | 1.0 | 2.0 | |

MC54/74HC4051 MC74HC4052 MC54/74HC4053

AC CHARACTERISTICS ($C_L = 50$ pF, Input $t_r = t_f = 6$ ns)

| Symbol | Parameter | VCC V | Guaranteed Limit | | | Unit |
|--|--|--------------------|------------------|-------|--------|------|
| | | | -55 to 25°C | ≤85°C | ≤125°C | |
| t _{PLH} , t _{PHL} | Maximum Propagation Delay, Channel-Select to Analog Output (Figure 9) | 2.0 | 370 | 465 | 550 | ns |
| | | 4.5 | 74 | 93 | 110 | |
| | | 6.0 | 63 | 79 | 94 | |
| t _{PLH} , t _{PHL} | Maximum Propagation Delay, Analog Input to Analog Output (Figure 10) | 2.0 | 60 | 75 | 90 | ns |
| | | 4.5 | 12 | 15 | 18 | |
| | | 6.0 | 10 | 13 | 15 | |
| t _{PLZ} , t _{PHZ} | Maximum Propagation Delay, Enable to Analog Output (Figure 11) | 2.0 | 290 | 364 | 430 | ns |
| | | 4.5 | 58 | 73 | 86 | |
| | | 6.0 | 49 | 62 | 73 | |
| t _{PZL} , t _{PZH} | Maximum Propagation Delay, Enable to Analog Output (Figure 11) | 2.0 | 345 | 435 | 515 | ns |
| | | 4.5 | 69 | 87 | 103 | |
| | | 6.0 | 59 | 74 | 87 | |
| C _{in} | Maximum Input Capacitance, Channel-Select or Enable Inputs | | 10 | 10 | 10 | pF |
| C _{I/O} | Maximum Capacitance (All Switches Off) | Analog I/O | 35 | 35 | 35 | pF |
| | | Common O/I: HC4051 | 130 | 130 | 130 | |
| | | HC4052 | 80 | 80 | 80 | |
| | | HC4053 | 50 | 50 | 50 | |
| | Feedthrough | | 1.0 | 1.0 | 1.0 | |

NOTE: For propagation delays with loads other than 50 pF, and information on typical parametric values, see Chapter 2 of the Motorola High-Speed CMOS Data Book (DL129/D).

| CPD | Power Dissipation Capacitance (Figure 13)* | HC4051 HC4052 HC4053 | Typical @ 25°C, VCC = 5.0 V, VEE = 0 V | | | pF |
|-----|--|----------------------------|--|--------|--------|----|
| | | | HC4051 | HC4052 | HC4053 | |
| | | | 45 | 80 | 45 | |

* Used to determine the no-load dynamic power consumption: $P_D = C_{PD} V_{CC}^2 f + I_{CC} V_{CC}$. For load considerations, see Chapter 2 of the Motorola High-Speed CMOS Data Book (DL129/D).

MC54/74HC4051 MC74HC4052 MC54/74HC4053

ADDITIONAL APPLICATION CHARACTERISTICS (GND = 0 V)

| Symbol | Parameter | Condition | VCC V | VEE V | Limit* | | | Unit |
|--------|--|--|----------|----------|--------|-----|-----|------------------|
| | | | | | 25°C | | | |
| BW | Maximum On-Channel Bandwidth or Minimum Frequency Response (Figure 6) | f _{in} = 1MHz Sine Wave; Adjust f _{in} Voltage to Obtain 0dBm at V _{IS} ; Increase f _{in} Frequency Until dB Meter Reads -3dB; R _L = 50Ω, C _L = 10pF | 2.25 | -2.25 | '51 | '52 | '53 | MHz |
| | | | 4.50 | -4.50 | 80 | 95 | 120 | |
| | | | 6.00 | -6.00 | 80 | 95 | 120 | |
| — | Off-Channel Feedthrough Isolation (Figure 7) | f _{in} = Sine Wave; Adjust f _{in} Voltage to Obtain 0dBm at V _{IS} f _{in} = 10kHz, R _L = 600Ω, C _L = 50pF | 2.25 | -2.25 | -50 | | | dB |
| | | | 4.50 | -4.50 | -50 | | | |
| | | | 6.00 | -6.00 | -50 | | | |
| — | Feedthrough Noise. Channel-Select Input to Common I/O (Figure 8) | V _{in} ≤ 1MHz Square Wave (t _r = t _f = 6ns); Adjust R _L at Setup so that I _S = 0A; Enable = GND R _L = 600Ω, C _L = 50pF | 2.25 | -2.25 | 25 | | | mV _{pp} |
| | | | 4.50 | -4.50 | 105 | | | |
| | | | 6.00 | -6.00 | 135 | | | |
| — | Crosstalk Between Any Two Switches (Figure 12) (Test does not apply to HC4051) | f _{in} = Sine Wave; Adjust f _{in} Voltage to Obtain 0dBm at V _{IS} f _{in} = 10kHz, R _L = 600Ω, C _L = 50pF | 2.25 | -2.25 | -50 | | | dB |
| | | | 4.50 | -4.50 | -50 | | | |
| | | | 6.00 | -6.00 | -50 | | | |
| — | Crosstalk Between Any Two Switches (Figure 12) (Test does not apply to HC4051) | f _{in} = 1.0MHz, R _L = 50Ω, C _L = 10pF | 2.25 | -2.25 | -60 | | | dB |
| | | | 4.50 | -4.50 | -60 | | | |
| | | | 6.00 | -6.00 | -60 | | | |
| THD | Total Harmonic Distortion (Figure 14) | f _{in} = 1kHz, R _L = 10kΩ, C _L = 50pF THD = THD _{measured} - THD _{source} V _{IS} = 4.0V _{pp} sine wave V _{IS} = 8.0V _{pp} sine wave V _{IS} = 11.0V _{pp} sine wave | 2.25 | -2.25 | 0.10 | | | % |
| | | | 4.50 | -4.50 | 0.08 | | | |
| | | | 6.00 | -6.00 | 0.05 | | | |

* Limits not tested. Determined by design and verified by qualification.

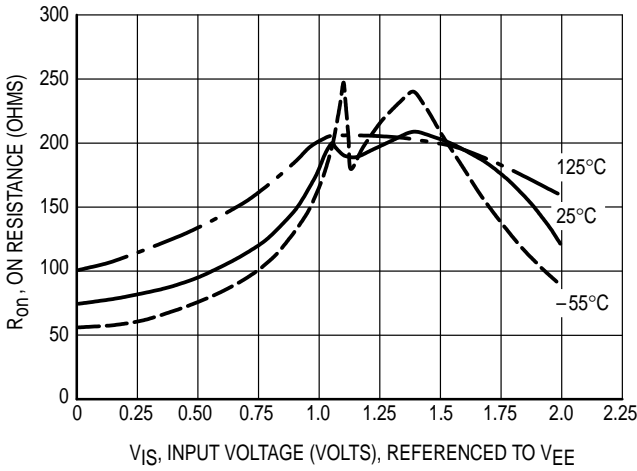


Figure 1a. Typical On Resistance, $V_{CC} - V_{EE} = 2.0 \text{ V}$

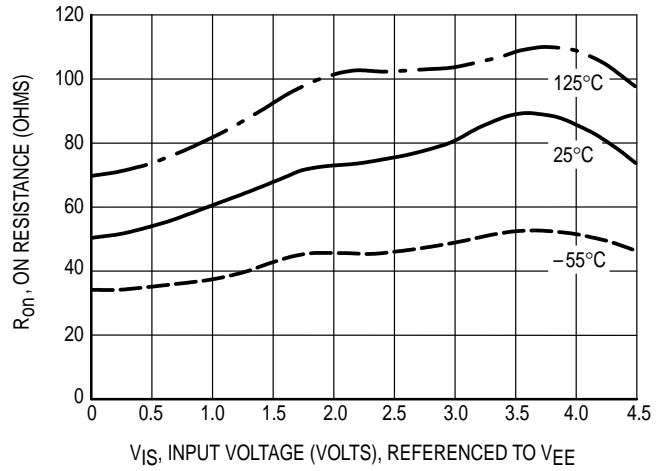


Figure 1b. Typical On Resistance, $V_{CC} - V_{EE} = 4.5 \text{ V}$

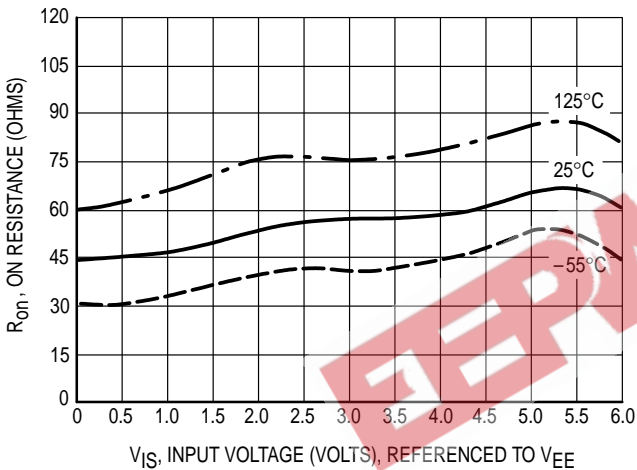


Figure 1c. Typical On Resistance, $V_{CC} - V_{EE} = 6.0 \text{ V}$

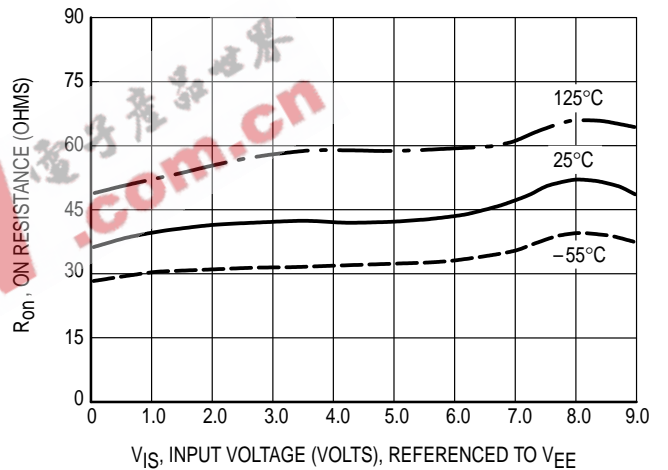


Figure 1d. Typical On Resistance, $V_{CC} - V_{EE} = 9.0 \text{ V}$

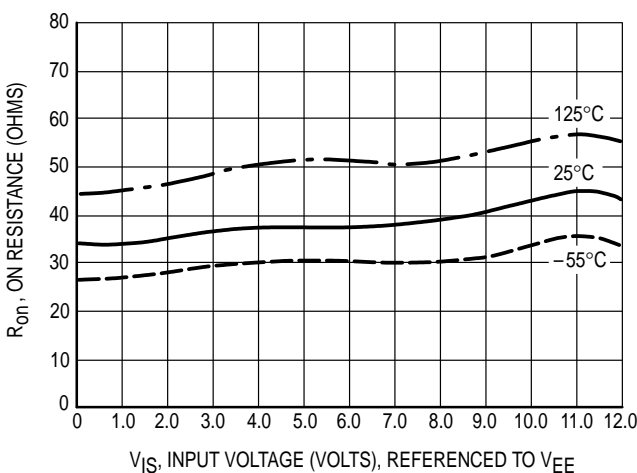


Figure 1e. Typical On Resistance, $V_{CC} - V_{EE} = 12.0 \text{ V}$

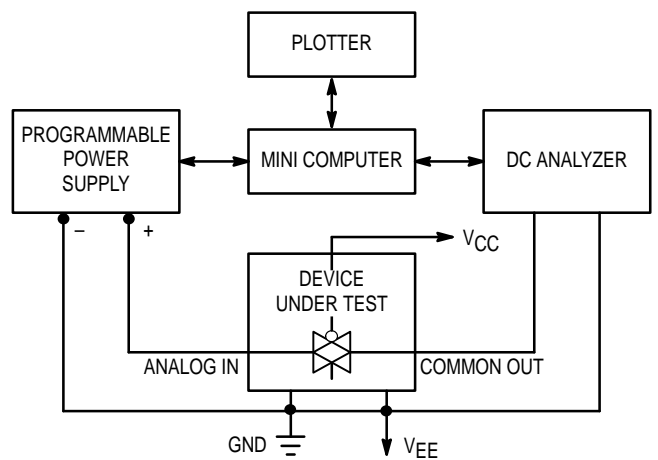


Figure 2. On Resistance Test Set-Up

MC54/74HC4051 MC74HC4052 MC54/74HC4053

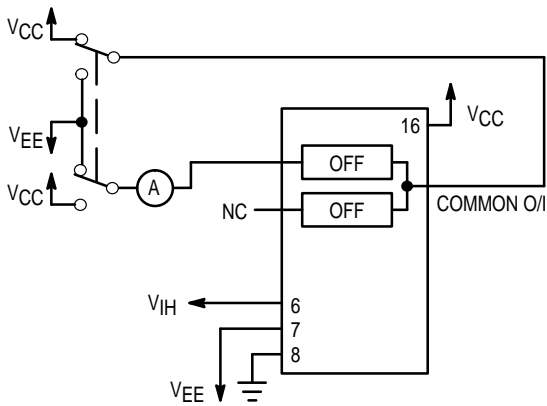


Figure 3. Maximum Off Channel Leakage Current, Any One Channel, Test Set-Up

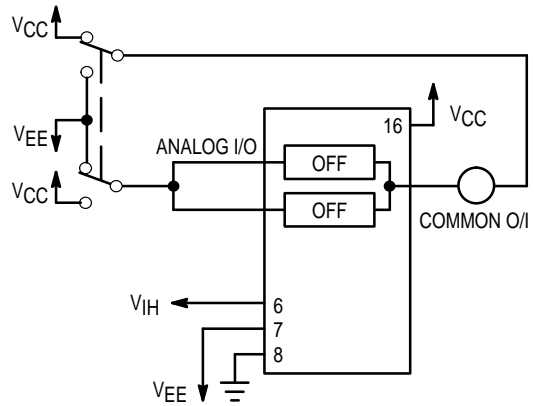


Figure 4. Maximum Off Channel Leakage Current, Common Channel, Test Set-Up

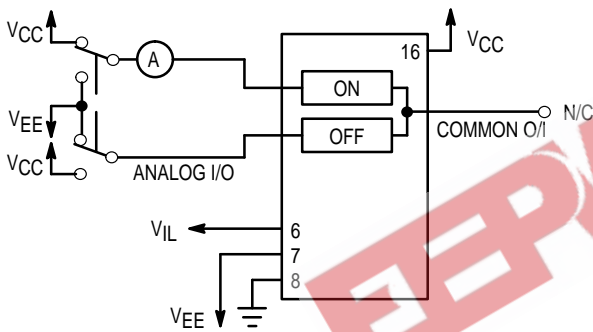


Figure 5. Maximum On Channel Leakage Current, Channel to Channel, Test Set-Up

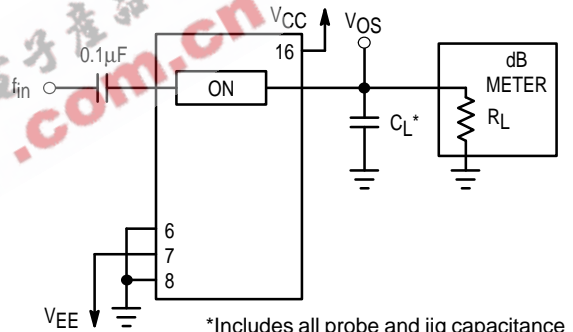


Figure 6. Maximum On Channel Bandwidth, Test Set-Up

*Includes all probe and jig capacitance

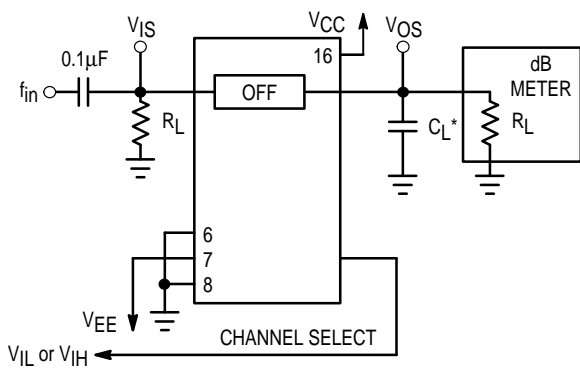


Figure 7. Off Channel Feedthrough Isolation, Test Set-Up

*Includes all probe and jig capacitance

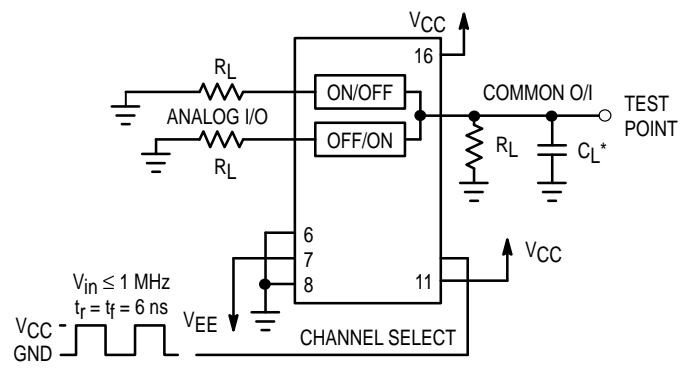


Figure 8. Feedthrough Noise, Channel Select to Common Out, Test Set-Up

*Includes all probe and jig capacitance

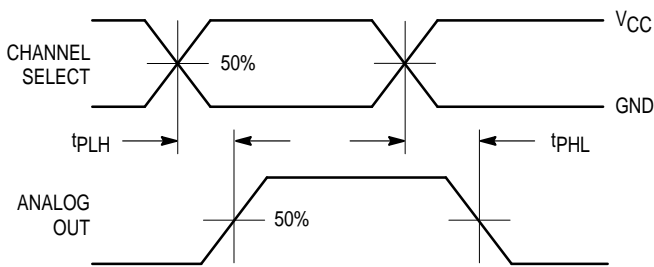
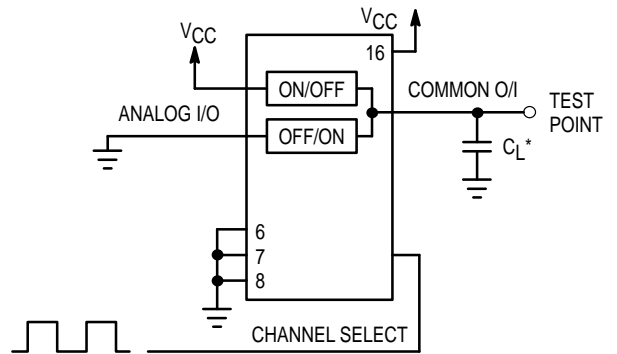


Figure 9a. Propagation Delays, Channel Select to Analog Out



*Includes all probe and jig capacitance

Figure 9b. Propagation Delay, Test Set-Up Channel Select to Analog Out

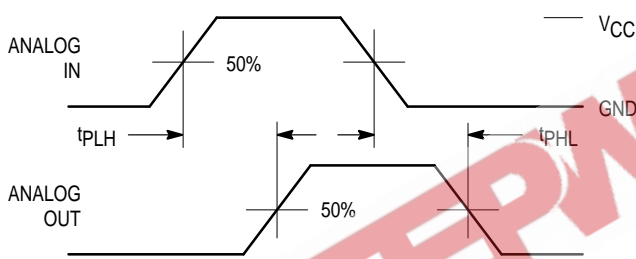
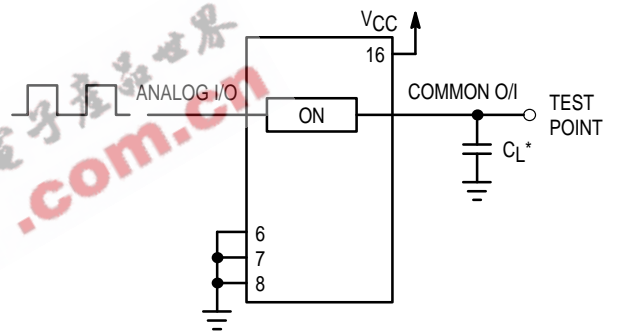


Figure 10a. Propagation Delays, Analog In to Analog Out



*Includes all probe and jig capacitance

Figure 10b. Propagation Delay, Test Set-Up Analog In to Analog Out

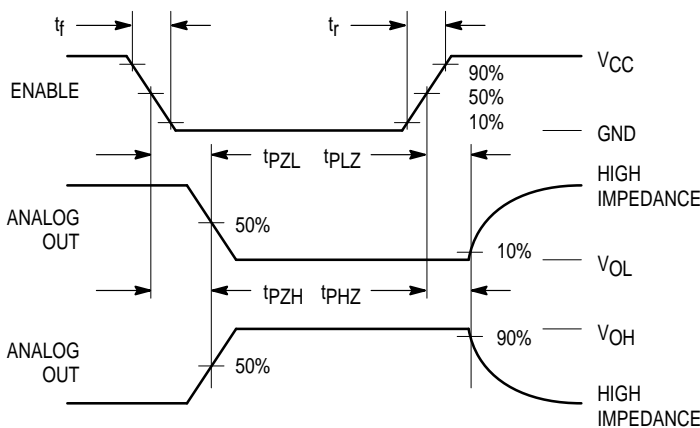


Figure 11a. Propagation Delays, Enable to Analog Out

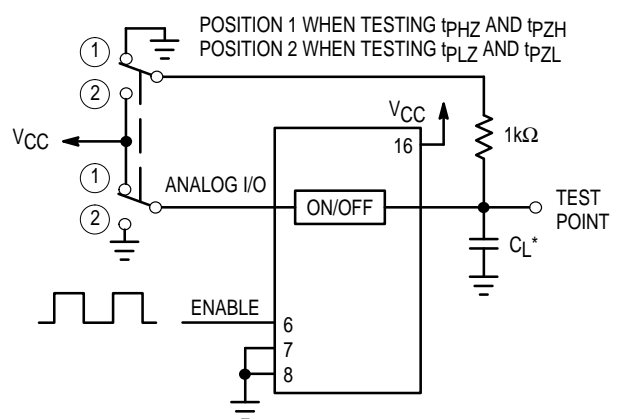
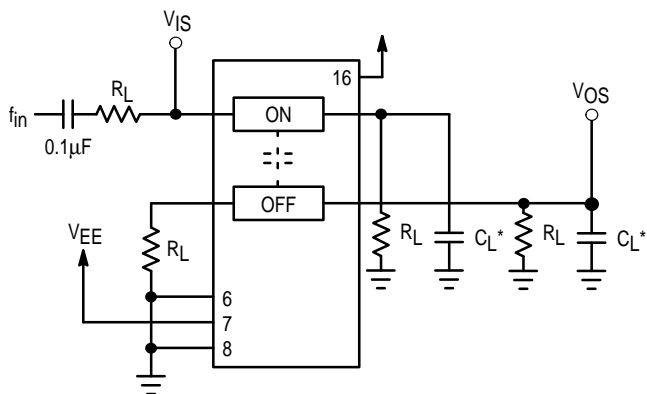


Figure 11b. Propagation Delay, Test Set-Up Enable to Analog Out



*Includes all probe and jig capacitance

Figure 12. Crosstalk Between Any Two Switches, Test Set-Up

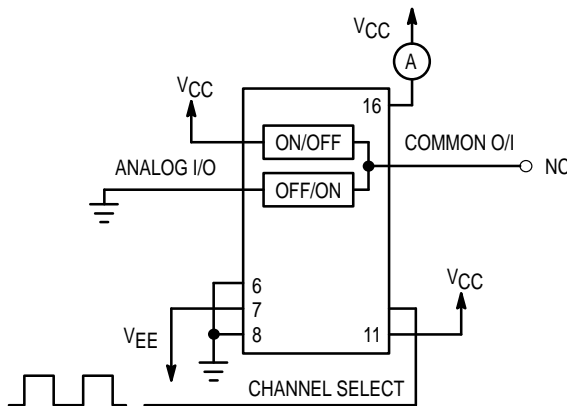
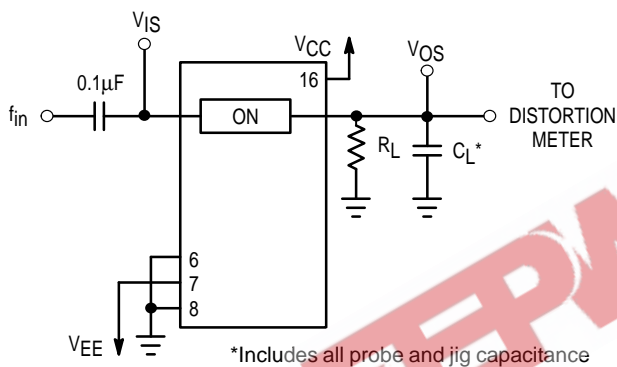


Figure 13. Power Dissipation Capacitance, Test Set-Up



*Includes all probe and jig capacitance

Figure 14a. Total Harmonic Distortion, Test Set-Up

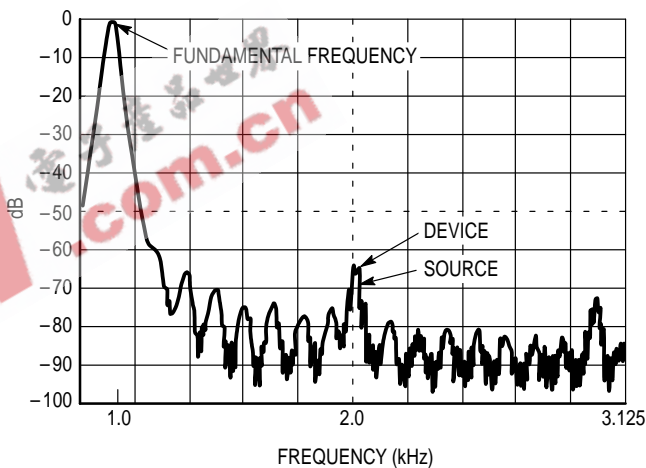


Figure 14b. Plot, Harmonic Distortion

APPLICATIONS INFORMATION

The Channel Select and Enable control pins should be at V_{CC} or GND logic levels. V_{CC} being recognized as a logic high and GND being recognized as a logic low. In this example:

$$\begin{aligned} V_{CC} &= +5V = \text{logic high} \\ GND &= 0V = \text{logic low} \end{aligned}$$

The maximum analog voltage swings are determined by the supply voltages V_{CC} and V_{EE} . The positive peak analog voltage should not exceed V_{CC} . Similarly, the negative peak analog voltage should not go below V_{EE} . In this example, the difference between V_{CC} and V_{EE} is ten volts. Therefore, using the configuration of Figure 15, a maximum analog signal of ten volts peak-to-peak can be controlled. Unused analog inputs/outputs may be left floating (i.e., not connected). However, tying unused analog inputs and outputs to

V_{CC} or GND through a low value resistor helps minimize crosstalk and feedthrough noise that may be picked up by an unused switch.

Although used here, balanced supplies are not a requirement. The only constraints on the power supplies are that:

$$\begin{aligned} V_{CC} - GND &= 2 \text{ to } 6 \text{ volts} \\ V_{EE} - GND &= 0 \text{ to } -6 \text{ volts} \\ V_{CC} - V_{EE} &= 2 \text{ to } 12 \text{ volts} \\ &\text{and } V_{EE} \leq GND \end{aligned}$$

When voltage transients above V_{CC} and/or below V_{EE} are anticipated on the analog channels, external Germanium or Schottky diodes (D_X) are recommended as shown in Figure 16. These diodes should be able to absorb the maximum anticipated current surges during clipping.

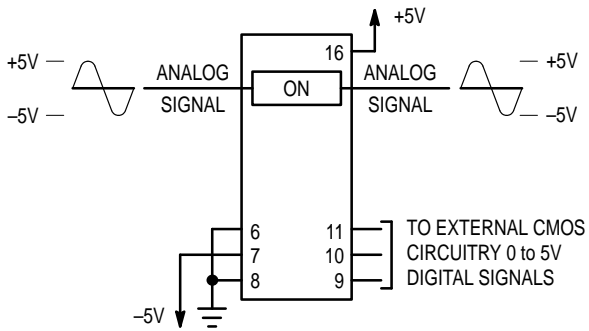


Figure 15. Application Example

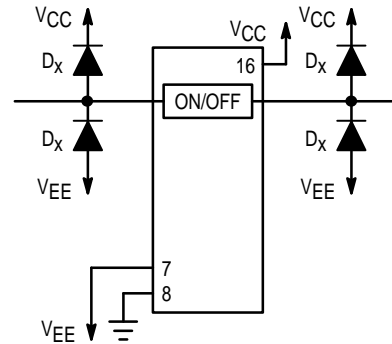
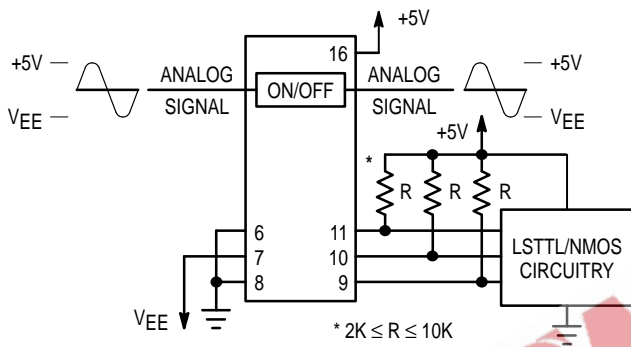
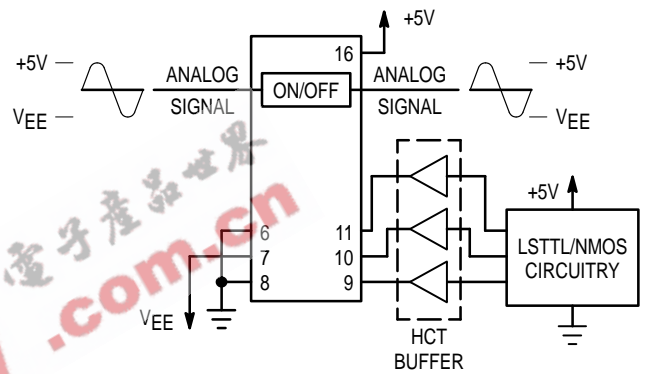


Figure 16. External Germanium or Schottky Clipping Diodes



a. Using Pull-Up Resistors



b. Using HCT Interface

Figure 17. Interfacing LSTTL/NMOS to CMOS Inputs

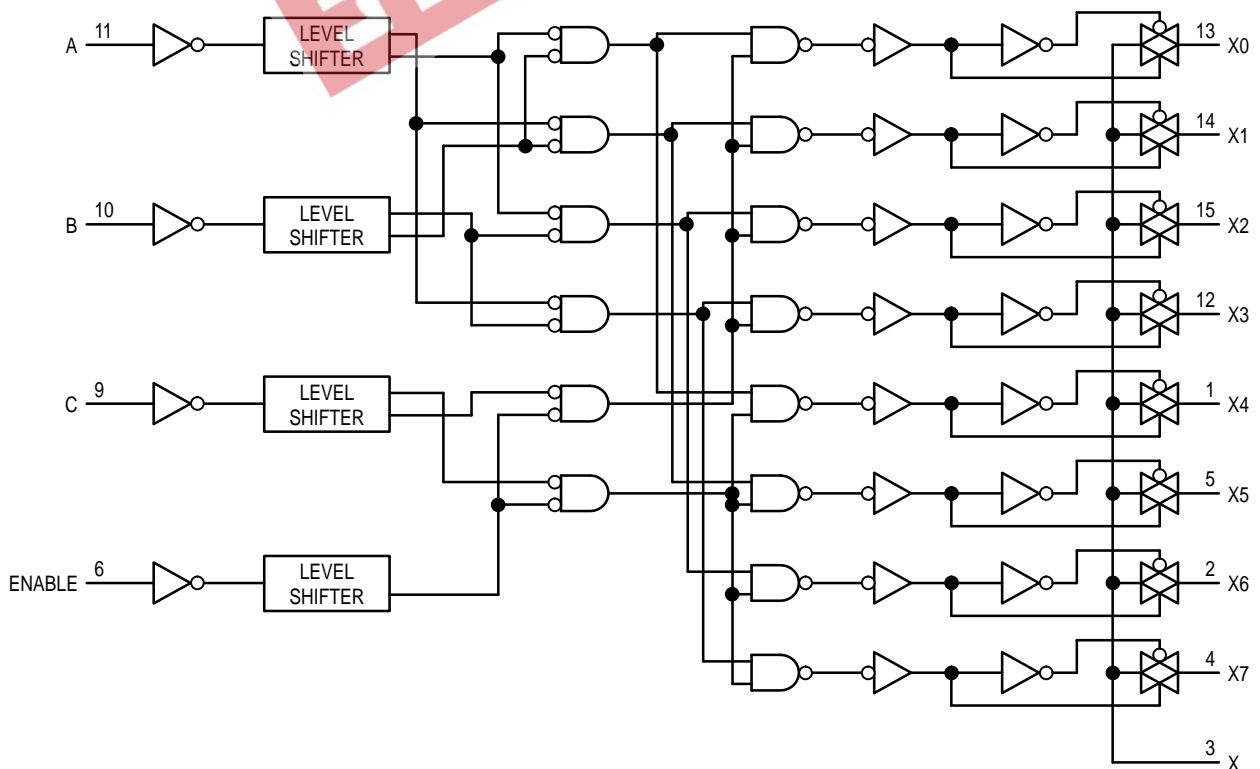


Figure 18. Function Diagram, HC4051

MC54/74HC4051 MC74HC4052 MC54/74HC4053

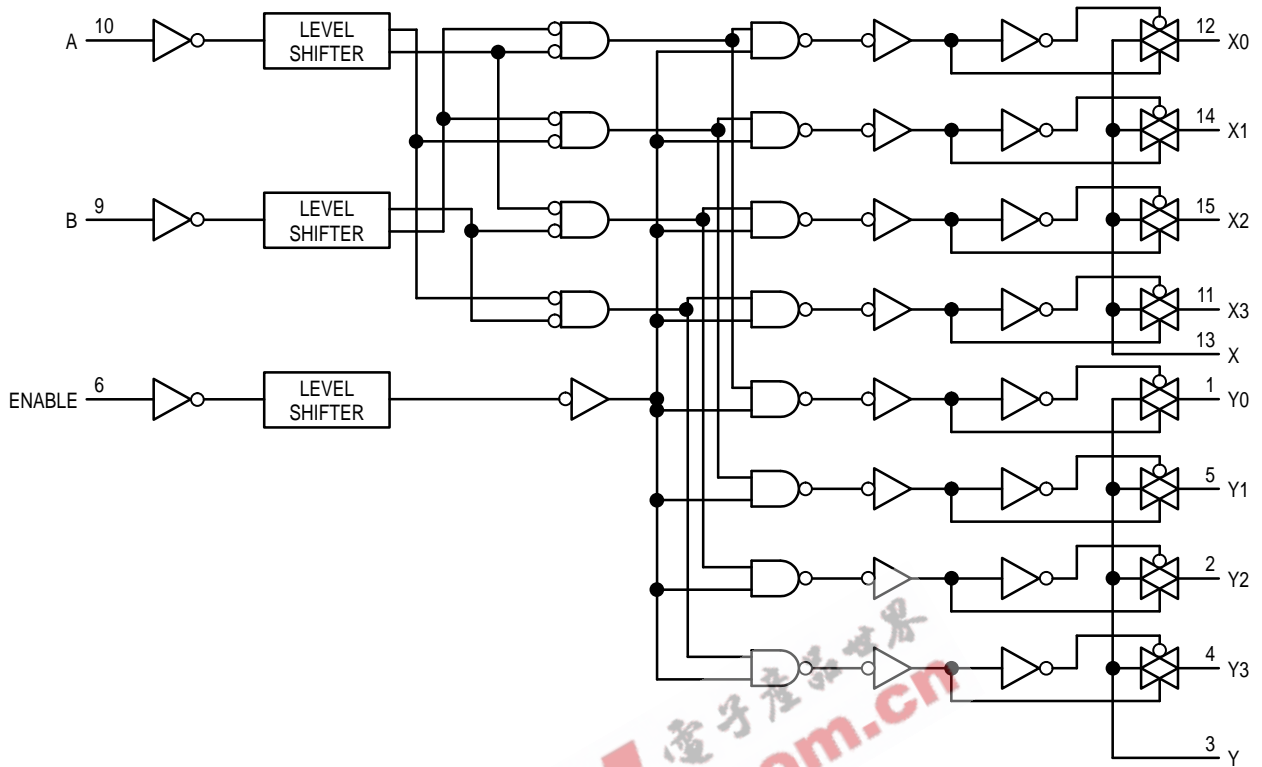


Figure 19. Function Diagram, HC4052

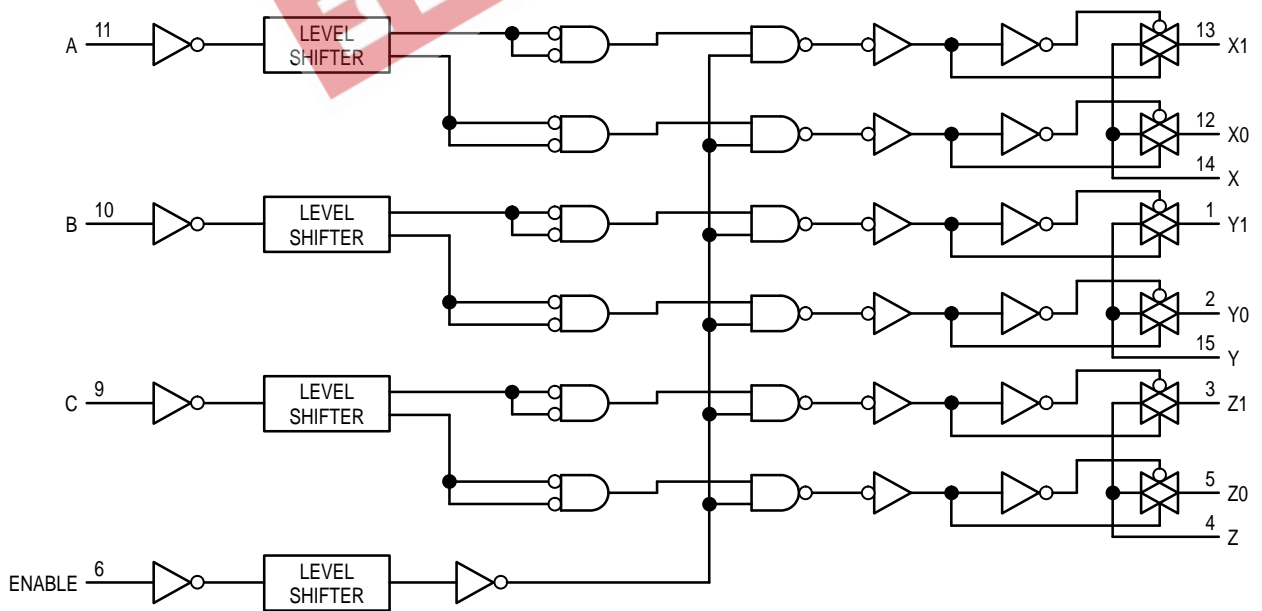


Figure 20. Function Diagram, HC4053

OUTLINE DIMENSIONS

J SUFFIX
CERAMIC PACKAGE
CASE 620-10
ISSUE V

NOTES:

1. DIMENSIONING AND TOLERANCING PER ANSI Y14.5M, 1982.
2. CONTROLLING DIMENSION: INCH.
3. DIMENSION L TO CENTER OF LEAD WHEN FORMED PARALLEL.
4. DIM F MAY NARROW TO 0.76 (0.030) WHERE THE LEAD ENTERS THE CERAMIC BODY.

| DIM | INCHES | | MILLIMETERS | |
|-----|-----------|-------|-------------|-------|
| | MIN | MAX | MIN | MAX |
| A | 0.750 | 0.785 | 19.05 | 19.93 |
| B | 0.240 | 0.295 | 6.10 | 7.49 |
| C | — | 0.200 | — | 5.08 |
| D | 0.015 | 0.020 | 0.39 | 0.50 |
| E | 0.050 BSC | | 1.27 BSC | |
| F | 0.055 | 0.065 | 1.40 | 1.65 |
| G | 0.100 BSC | | 2.54 BSC | |
| J | 0.008 | 0.015 | 0.21 | 0.38 |
| K | 0.125 | 0.170 | 3.18 | 4.31 |
| L | 0.300 BSC | | 7.62 BSC | |
| M | 0° | 15° | 0° | 15° |
| N | 0.020 | 0.040 | 0.51 | 1.01 |

$\oplus 0.25 (0.010) \text{ (M) T A (S)}$

N SUFFIX
PLASTIC PACKAGE
CASE 648-08
ISSUE R

NOTES:

1. DIMENSIONING AND TOLERANCING PER ANSI Y14.5M, 1982.
2. CONTROLLING DIMENSION: INCH.
3. DIMENSION L TO CENTER OF LEAD WHEN FORMED PARALLEL.
4. DIMENSION B DOES NOT INCLUDE MOLD FLASH.
5. ROUNDED CORNERS OPTIONAL.

| DIM | INCHES | | MILLIMETERS | |
|-----|-----------|-------|-------------|-------|
| | MIN | MAX | MIN | MAX |
| A | 0.740 | 0.770 | 18.80 | 19.55 |
| B | 0.250 | 0.270 | 6.35 | 6.85 |
| C | 0.145 | 0.175 | 3.69 | 4.44 |
| D | 0.015 | 0.021 | 0.39 | 0.53 |
| F | 0.040 | 0.070 | 1.02 | 1.77 |
| G | 0.100 BSC | | 2.54 BSC | |
| H | 0.050 BSC | | 1.27 BSC | |
| J | 0.008 | 0.015 | 0.21 | 0.38 |
| K | 0.110 | 0.130 | 2.80 | 3.30 |
| L | 0.295 | 0.305 | 7.50 | 7.74 |
| M | 0° | 10° | 0° | 10° |
| S | 0.020 | 0.040 | 0.51 | 1.01 |

$\oplus 0.25 (0.010) \text{ (M) T A (M)}$

D SUFFIX
PLASTIC SOIC PACKAGE
CASE 751B-05
ISSUE J

NOTES:

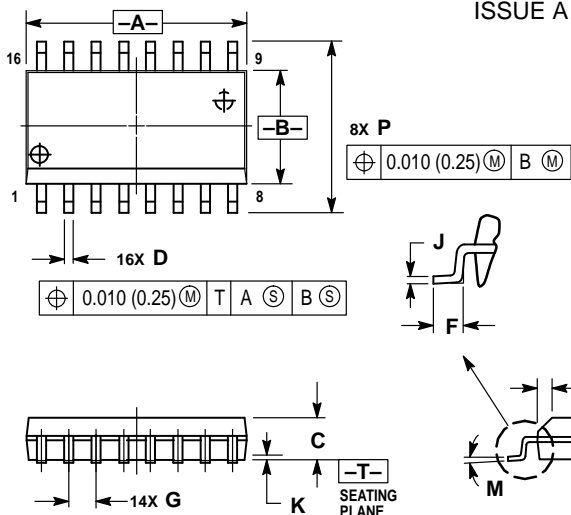
1. DIMENSIONING AND TOLERANCING PER ANSI Y14.5M, 1982.
2. CONTROLLING DIMENSION: MILLIMETER.
3. DIMENSIONS A AND B DO NOT INCLUDE MOLD PROTRUSION.
4. MAXIMUM MOLD PROTRUSION 0.15 (0.006) PER SIDE.
5. DIMENSION D DOES NOT INCLUDE DAMBAR PROTRUSION. ALLOWABLE DAMBAR PROTRUSION SHALL BE 0.127 (0.005) TOTAL IN EXCESS OF THE D DIMENSION AT MAXIMUM MATERIAL CONDITION.

| DIM | MILLIMETERS | | INCHES | |
|-----|-------------|-------|-----------|-------|
| | MIN | MAX | MIN | MAX |
| A | 9.80 | 10.00 | 0.386 | 0.393 |
| B | 3.80 | 4.00 | 0.150 | 0.157 |
| C | 1.35 | 1.75 | 0.054 | 0.068 |
| D | 0.35 | 0.49 | 0.014 | 0.019 |
| F | 0.40 | 1.25 | 0.016 | 0.049 |
| G | 1.27 BSC | | 0.050 BSC | |
| J | 0.19 | 0.25 | 0.008 | 0.009 |
| K | 0.10 | 0.25 | 0.004 | 0.009 |
| M | 0° | 7° | 0° | 7° |
| P | 5.80 | 6.20 | 0.229 | 0.244 |
| R | 0.25 | 0.50 | 0.010 | 0.019 |

$\oplus 0.25 (0.010) \text{ (M) T B (S) A (S)}$

OUTLINE DIMENSIONS

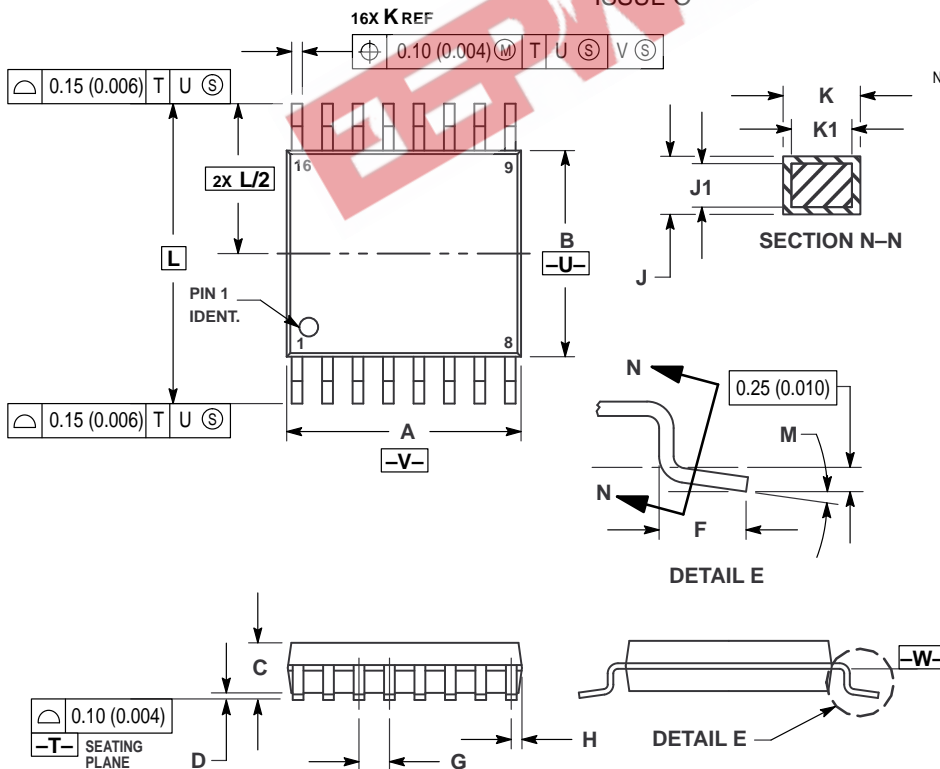
DW SUFFIX
PLASTIC SOIC PACKAGE
CASE 751G-02
ISSUE A



- NOTES:
1. DIMENSIONING AND TOLERANCING PER ANSI Y14.5M, 1982.
 2. CONTROLLING DIMENSION: MILLIMETER.
 3. DIMENSIONS A AND B DO NOT INCLUDE MOLD PROTRUSION.
 4. MAXIMUM MOLD PROTRUSION 0.15 (0.006) PER SIDE.
 5. DIMENSION D DOES NOT INCLUDE DAMBAR PROTRUSION. ALLOWABLE DAMBAR PROTRUSION SHALL BE 0.13 (0.005) TOTAL IN EXCESS OF D DIMENSION AT MAXIMUM MATERIAL CONDITION.

| DIM | MILLIMETERS | | INCHES | |
|-----|-------------|-------|-----------|-------|
| | MIN | MAX | MIN | MAX |
| A | 10.15 | 10.45 | 0.400 | 0.411 |
| B | 7.40 | 7.60 | 0.292 | 0.299 |
| C | 2.35 | 2.65 | 0.093 | 0.104 |
| D | 0.35 | 0.49 | 0.014 | 0.019 |
| F | 0.50 | 0.90 | 0.020 | 0.035 |
| G | 1.27 BSC | | 0.050 BSC | |
| J | 0.25 | 0.32 | 0.010 | 0.012 |
| K | 0.10 | 0.25 | 0.004 | 0.009 |
| M | 0° | 7° | 0° | 7° |
| P | 10.05 | 10.55 | 0.395 | 0.415 |
| R | 0.25 | 0.75 | 0.010 | 0.029 |

DT SUFFIX
PLASTIC TSSOP PACKAGE
CASE 948F-01
ISSUE O




- NOTES:
1. DIMENSIONING AND TOLERANCING PER ANSI Y14.5M, 1982.
 2. CONTROLLING DIMENSION: MILLIMETER.
 3. DIMENSION A DOES NOT INCLUDE MOLD FLASH, PROTRUSIONS OR GATE BURRS. MOLD FLASH OR GATE BURRS SHALL NOT EXCEED 0.15 (0.006) PER SIDE.
 4. DIMENSION B DOES NOT INCLUDE INTERLEAD FLASH OR PROTRUSION. INTERLEAD FLASH OR PROTRUSION SHALL NOT EXCEED 0.25 (0.010) PER SIDE.
 5. DIMENSION K DOES NOT INCLUDE DAMBAR PROTRUSION. ALLOWABLE DAMBAR PROTRUSION SHALL BE 0.08 (0.003) TOTAL IN EXCESS OF THE K DIMENSION AT MAXIMUM MATERIAL CONDITION.
 6. TERMINAL NUMBERS ARE SHOWN FOR REFERENCE ONLY.
 7. DIMENSION A AND B ARE TO BE DETERMINED AT DATUM PLANE -W-.

| DIM | MILLIMETERS | | INCHES | |
|-----|-------------|------|-----------|-------|
| | MIN | MAX | MIN | MAX |
| A | 4.90 | 5.10 | 0.193 | 0.200 |
| B | 4.30 | 4.50 | 0.169 | 0.177 |
| C | — | 1.20 | — | 0.047 |
| D | 0.05 | 0.15 | 0.002 | 0.006 |
| F | 0.50 | 0.75 | 0.020 | 0.030 |
| G | 0.65 BSC | | 0.026 BSC | |
| H | 0.18 | 0.28 | 0.007 | 0.011 |
| J | 0.09 | 0.20 | 0.004 | 0.008 |
| J1 | 0.09 | 0.16 | 0.004 | 0.006 |
| K | 0.19 | 0.30 | 0.007 | 0.012 |
| K1 | 0.19 | 0.25 | 0.007 | 0.010 |
| L | 6.40 BSC | | 0.252 BSC | |
| M | 0° | 8° | 0° | 8° |

MC54/74HC4051 MC74HC4052 MC54/74HC4053

EEPW 电子产品世界
.com.cn

Motorola reserves the right to make changes without further notice to any products herein. Motorola makes no warranty, representation or guarantee regarding the suitability of its products for any particular purpose, nor does Motorola assume any liability arising out of the application or use of any product or circuit, and specifically disclaims any and all liability, including without limitation consequential or incidental damages. "Typical" parameters can and do vary in different applications. All operating parameters, including "Typicals" must be validated for each customer application by customer's technical experts. Motorola does not convey any license under its patent rights nor the rights of others. Motorola products are not designed, intended, or authorized for use as components in systems intended for surgical implant into the body, or other applications intended to support or sustain life, or for any other application in which the failure of the Motorola product could create a situation where personal injury or death may occur. Should Buyer purchase or use Motorola products for any such unintended or unauthorized application, Buyer shall indemnify and hold Motorola and its officers, employees, subsidiaries, affiliates, and distributors harmless against all claims, costs, damages, and expenses, and reasonable attorney fees arising out of, directly or indirectly, any claim of personal injury or death associated with such unintended or unauthorized use, even if such claim alleges that Motorola was negligent regarding the design or manufacture of the part. Motorola and  are registered trademarks of Motorola, Inc. Motorola, Inc. is an Equal Opportunity/Affirmative Action Employer.

How to reach us:

USA/EUROPE: Motorola Literature Distribution;
P.O. Box 20912; Phoenix, Arizona 85036. 1-800-441-2447

JAPAN: Nippon Motorola Ltd.; Tatsumi-SPD-JLDC, Toshikatsu Otsuki,
6F Seibu-Butsuryu-Center, 3-14-2 Tatsumi Koto-Ku, Tokyo 135, Japan. 03-3521-8315

MFAX: RMFAX0@email.sps.mot.com -TOUCHTONE (602) 244-6609
INTERNET: <http://Design-NET.com>

HONG KONG: Motorola Semiconductors H.K. Ltd.; 8B Tai Ping Industrial Park,
51 Ting Kok Road, Tai Po, N.T., Hong Kong. 852-26629298



◇ CODELINE

MC54/74HC4051/D

