



Micro Commercial Components

Micro Commercial Components
 20736 Marilla Street Chatsworth
 CA 91311
 Phone: (818) 701-4933
 Fax: (818) 701-4939

MC79L06BP

Features

- Internal Short Circuit Current Limiting
- Internal Thermal Overload Protection
- No External Components Required

Absolute Maximum Ratings

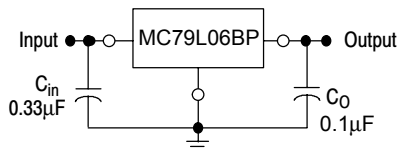
| Parameter | Symbol | Value | Unit |
|--------------------------------|-----------|------------|------|
| Input Voltage | V_1 | 30 | V |
| Operating Junction Temperature | T_{OPR} | -30---+75 | °C |
| Storage Temperature Range | T_{STG} | -40---+125 | °C |

Electrical Characteristics ($V_i=12V$, $I_o=40mA$, $0^\circ C < T_j < 125^\circ C$, $C_1=0.33\mu F$, $C_0=0.1\mu F$, unless otherwise specified)

| Parameter | Sym | Min | Typ | Max | Test conditions |
|----------------------|-------------|-------|-------------|-------|---|
| Output Voltage | V_o | 5.76V | 6.0V | 6.24V | $V_i=12V$, $I_o=40mA$ |
| Load Regulation | $V_o - I_o$ | | 7.0mV | 60mV | $I_o=1mA-100mA$, $V_i=12V$ |
| Line regulation | $V_o - V_i$ | | 15mV | 150mV | $8.5V \leq V_i \leq 20V$, $I_o=40mA$ |
| Quiescent Current | I_q | | 3.5mA | 6.0mA | $V_i=12V$, $I_o=40mA$ |
| Output Noise Voltage | V_N | | 120 μV | | $10Hz \leq f \leq 100KHz$ $V_i=12V$, $I_o=40mA$ |
| Ripple Rejection | RR | 41dB | 71dB | | $9V \leq V_i \leq 19V$, $I_o=40mA$ $f=120Hz$, $T_j=25^\circ C$ $e_{IN}=1V_{P-P}$ |

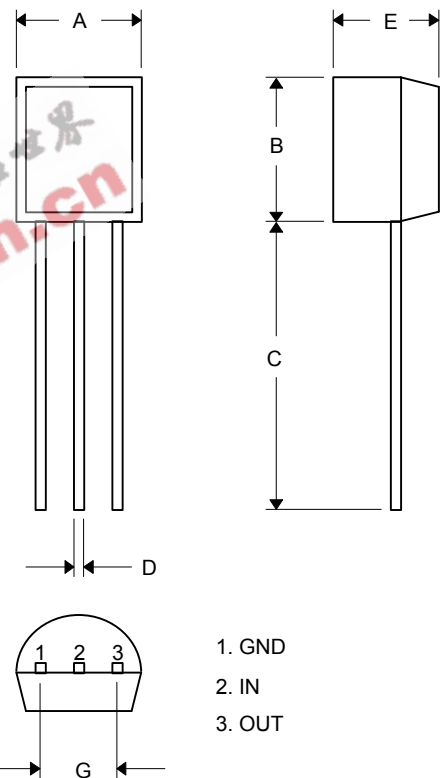
*Note: Bypass Capacitors are recommended for optimum stability and transient response and should be located as close as possible to the regulators

Typical Application:



Three-Terminal Low Current Negative Voltage Regulator

TO-92



| DIM | INCHES | | MM | | NOTE |
|-----|--------|------|------|------|------|
| | MIN | MAX | MIN | MAX | |
| A | .175 | .185 | 4.45 | 4.70 | |
| B | .175 | .185 | 4.46 | 4.70 | |
| C | .500 | --- | 12.7 | --- | |
| D | .016 | .020 | 0.41 | 0.63 | |
| E | .135 | .145 | 3.43 | 3.68 | |
| G | .095 | .105 | 2.42 | 2.67 | |