



# MC78BC00 Series

## Advance Information Micropower Voltage Regulator

The MC78BC00 voltage regulators are specifically designed to be used with an external power transistor to deliver high current with high voltage accuracy and low quiescent current.

The MC78BC00 series are devices suitable for constructing regulators with ultra-low dropout voltage and output current in the range of several tens of mA to hundreds of mA. These devices have a chip enable function, which minimizes the standby mode current drain. Each of these devices contains a voltage reference unit, an error amplifier, a driver transistor and feedback resistors. These devices are available in the SOT-23, 5 pin surface mount packages.

These devices are ideally suited for battery powered equipment, and power sources for hand-held audio instruments, communication equipment and domestic appliances.

### MC78BC00 Series Features:

- Ultra-Low Supply Current (50  $\mu$ A)
- Standby Mode (0.2  $\mu$ A)
- Ultra-Low Dropout Voltage (0.1 V with External Transistor and  $I_O = 100$  mA)
- Excellent Line Regulation (Typically 0.1%/V)
- High Accuracy Output Voltage ( $\pm 2.5\%$ )

### VOLTAGE REGULATOR WITH EXTERNAL POWER TRANSISTOR

#### SEMICONDUCTOR TECHNICAL DATA



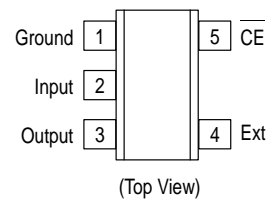
**N SUFFIX**  
PLASTIC PACKAGE  
CASE 1212  
(SOT-23)

### ORDERING INFORMATION

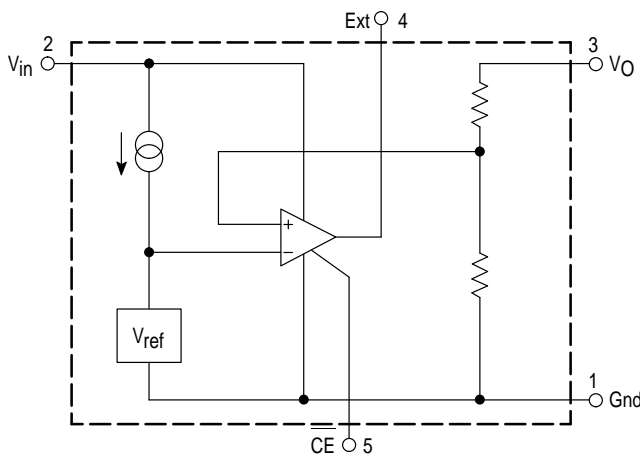
| Device      | Output Voltage | Operating Temperature Range              | Package |
|-------------|----------------|--|---------|
| MC78BC30NTR | 3.0            | $T_A = -30^\circ$ to $+80^\circ\text{C}$ | SOT-23  |
| MC78BC33NTR | 3.3            |  |         |
| MC78BC40NTR | 4.0            |  |         |
| MC78BC50NTR | 5.0            |  |         |

Other voltages from 2.0 to 6.0 V, in 0.1 V increments, are available. Consult factory for information.

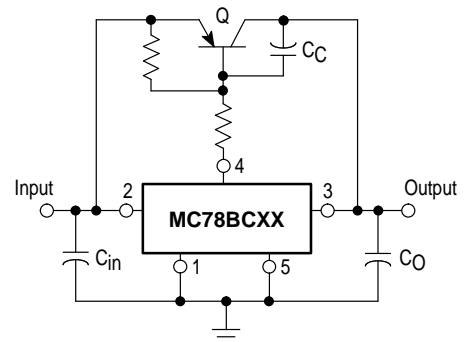
### PIN CONNECTIONS



### Representative Block Diagram



### Standard Application



## MC78BC00 Series

**MAXIMUM RATINGS** ( $T_C = 25^\circ\text{C}$ , unless otherwise noted.)

| Rating   | Symbol          | Value       | Unit                      |
|--|-----------------|-------------|---------------------------|
| Input Voltage  | $V_{CC}$        | 10          | Vdc                       |
| Power Dissipation and Thermal Characteristics                          |                 |             |                           |
| Maximum Power Dissipation  | $P_D$           | 150         | mW                        |
| Case 1212 (SOT-23) H Suffix<br>Thermal Resistance, Junction-to-Ambient | $R_{\theta JA}$ | 333         | $^\circ\text{C}/\text{W}$ |
| Operating Junction Temperature   | $T_J$           | 125         | $^\circ\text{C}$          |
| Operating Ambient Temperature  | $T_A$           | -30 to +80  | $^\circ\text{C}$          |
| Storage Temperature Range  | $T_{stg}$       | -40 to +125 | $^\circ\text{C}$          |

**NOTE:** ESD data available upon request.

**ELECTRICAL CHARACTERISTICS** ( $V_{in} = V_O + 1.0\text{ V}$ ,  $I_O = 50\text{ mA}$ ,  $T_J = 25^\circ\text{C}$  [Note 1], unless otherwise noted.)

| Characteristic   | Symbol              | Min       | Typ       | Max         | Unit                  |
|--|---------------------|-----------|-----------|-------------|-----------------------|
| Output Voltage   | $V_O$               |           |           |             | V                     |
| MC78BC30NTR  |                     | 2.925     | 3.0       | 3.075       |                       |
| MC78BC33NTR  |                     | 3.218     | 3.3       | 3.382       |                       |
| MC78BC40NTR  |                     | 3.900     | 4.0       | 4.100       |                       |
| MC78BC50NTR  |                     | 4.875     | 5.0       | 5.125       |                       |
| Line Regulation<br>$V_O + 0.5\text{ V} \leq V_{in} \leq 8.0\text{ V}$                                | $\text{Reg}_{line}$ | 0         | 0.1       | 0.3         | mV                    |
| Load Regulation<br>$V_{in} - V_O = 1.0\text{ V}$<br>$1.0\text{ mA} \leq I_O \leq 100\text{ mA}$      | $\text{Reg}_{load}$ | -         | 40        | 60          | mV                    |
| Output Current (Note 2)<br>$V_{in} - V_O = 1.0\text{ V}$   | $I_O$               | -         | 1000      | -           | mA                    |
| Dropout Voltage<br>$I_O = 100\text{ mA}$   | $V_{in} - V_O$      | -         | 100       | 200         | mV                    |
| Supply Current<br>$V_{in} = 8.0\text{ V}$<br>$V_{in} - V_O = 1.0\text{ V}$<br>$I_O = 0$ (at no load) | $I_{ss}$            | -         | 50        | 80          | $\mu\text{A}$         |
| Supply Current (Standby)<br>$V_{in} = 8.0\text{ V}$  | $I_{standby}$       | 0.1       | 0.2       | 1.0         | $\mu\text{A}$         |
| Ext Leakage Current  | $I_{LK}$            | -         | -         | 0.5         | $\mu\text{A}$         |
| Chip Enable Input Logic Voltage<br>Logic "0" (Regulator "On")<br>Logic "1" (Regulator "Off")         | $V_{CE}$            | 0<br>1.5  | -<br>-    | 0.25<br>8.0 | V                     |
| Chip Enable Input Current<br>$V_{CE} = 0.25\text{ V}$<br>$V_{CE} = 1.5\text{ V}$                     | $I_{CEL}$           | -5.0<br>- | -3.0<br>- | -0.1<br>0.1 | $\mu\text{A}$         |
| Output Voltage Temperature Coefficient   | $T_C$               | -         | $\pm 100$ | -           | ppm/ $^\circ\text{C}$ |

**NOTES:** 1. Low duty pulse techniques are used during test to maintain junction temperature as close to ambient as possible.  
2. The output current depends upon the performance of External PNP Transistor. Use External PNP Transistor of a low saturation type, with an  $H_{FE}$  of 100 or more.

# MC78BC00 Series

## DEFINITIONS

**Dropout Voltage** – The input/output voltage differential at which the regulator output no longer maintains regulation against further reductions in input voltage. Measured when the output drops 100 mV below its nominal value (which is measured at 1.0 V differential), dropout voltage is affected by junction temperature, load current and minimum input supply requirements.

**Line Regulation** – The change in output voltage for a change in input voltage. The measurement is made under conditions of low dissipation or by using pulse techniques

such that average chip temperature is not significantly affected.

**Load Regulation** – The change in output voltage for a change in load current at constant chip temperature.

**Maximum Power Dissipation** – The maximum total device dissipation for which the regulator will operate within specifications.

**Supply Current** – Current which is used to operate the regulator chip and is not delivered to the load.

Figure 1. Output Voltage versus Input Voltage

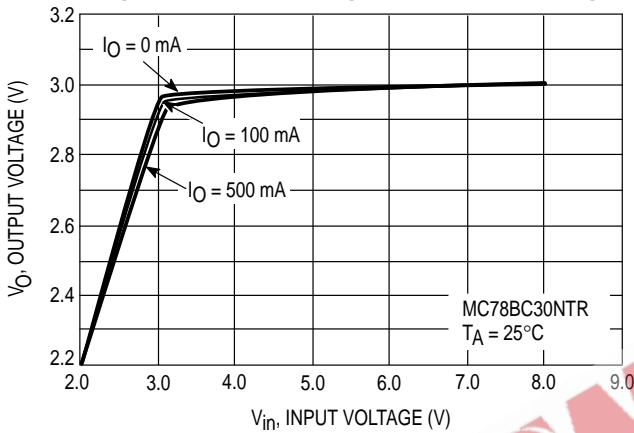


Figure 2. Output Voltage versus Output Current

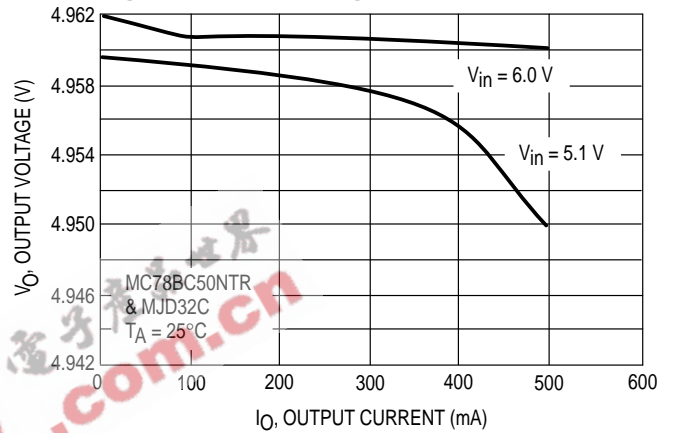


Figure 3. Dropout Voltage versus Output Current

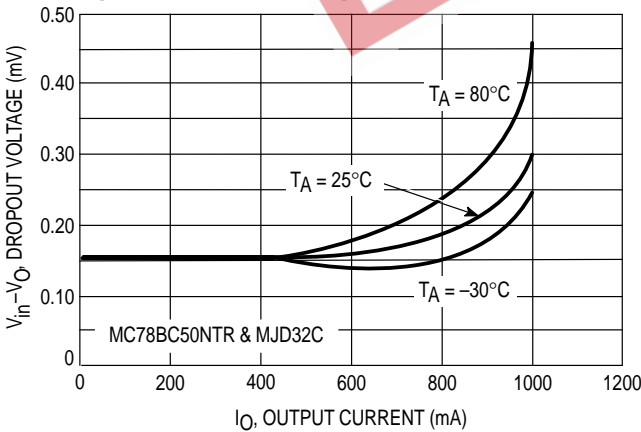
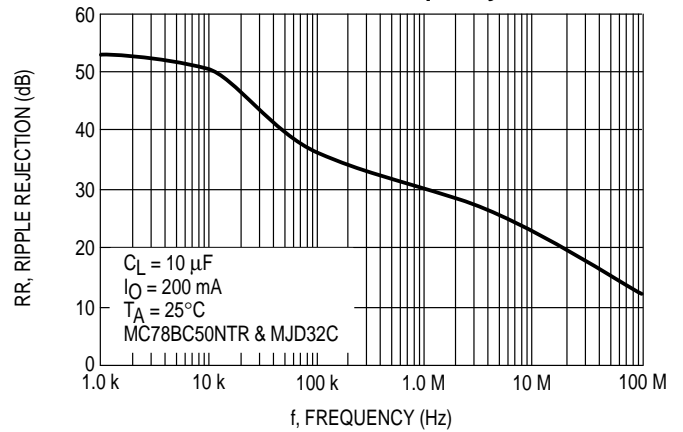
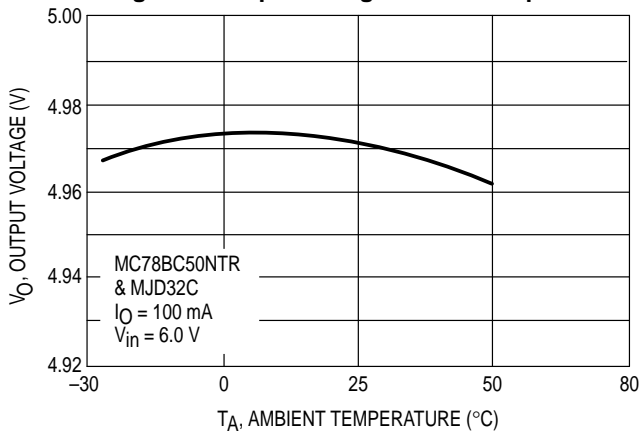


Figure 4. Ripple Rejection as a Function of Frequency

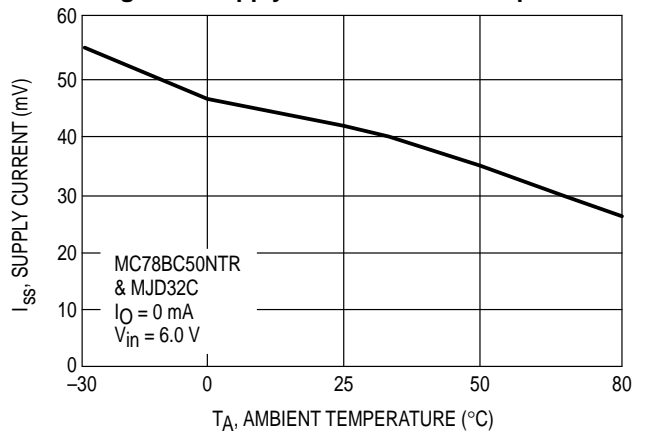


## MC78BC00 Series

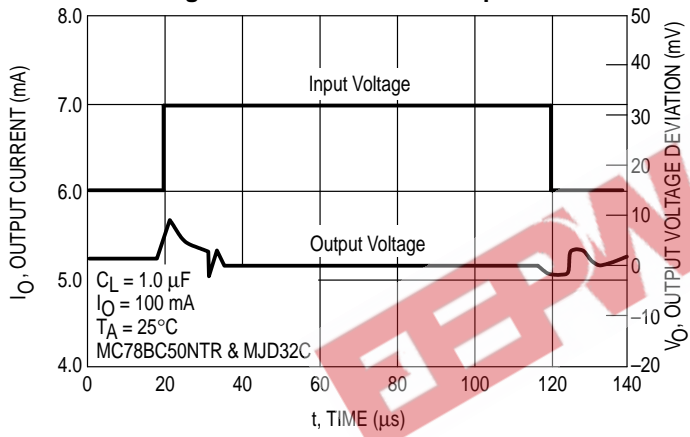
**Figure 5. Output Voltage versus Temperature**



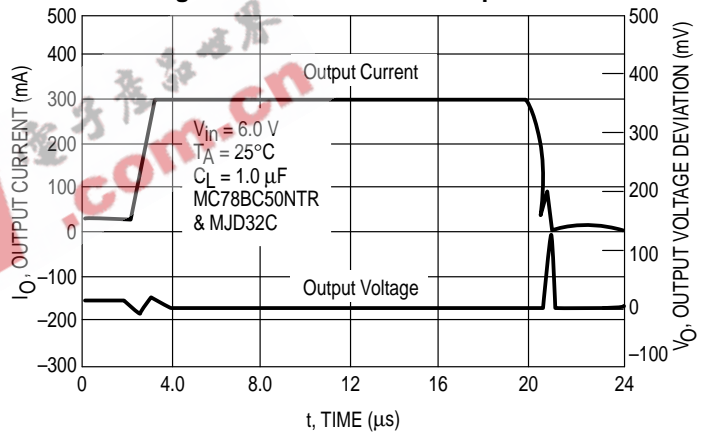
**Figure 6. Supply Current versus Temperature**



**Figure 7. Line Transient Response**



**Figure 8. Load Transient Response**



## MC78BC00 Series

### APPLICATIONS INFORMATION

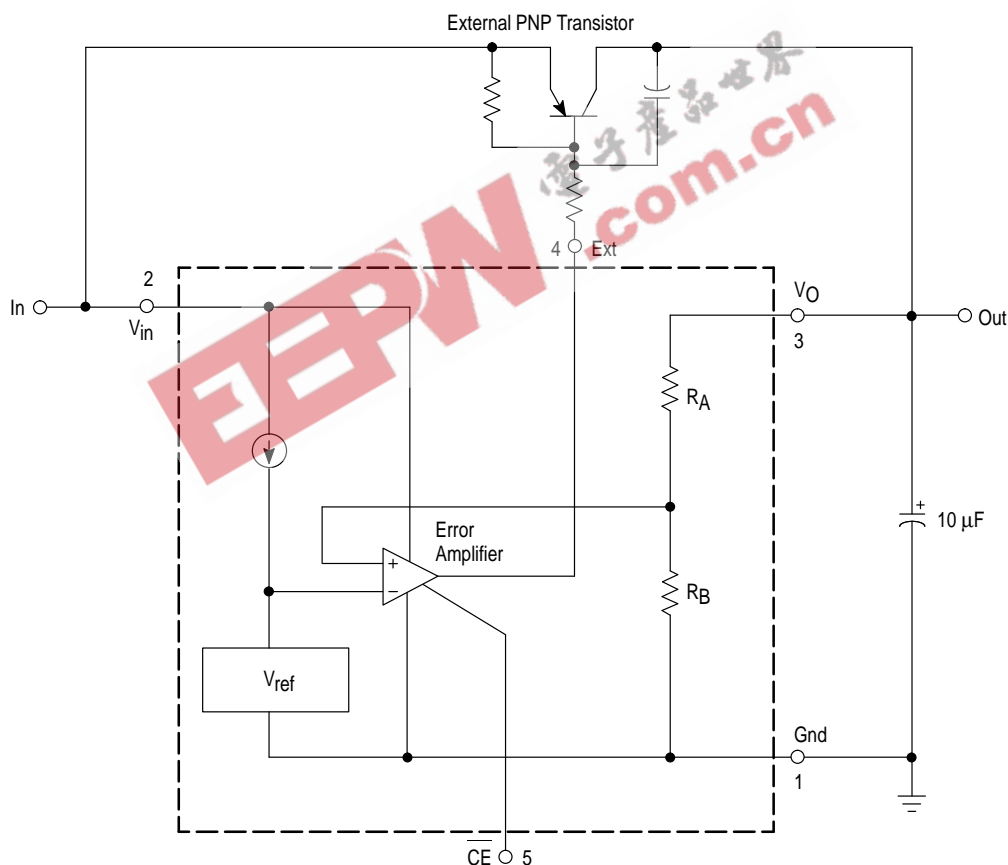
#### Introduction

The MC78BC00 series of micropower voltage regulators are specifically designed for ultra-low dropout voltage and an output current which ranges from several tens of mA to several hundreds of mA making them ideal for battery-powered equipment. These regulators also have a chip enable function which minimizes supply current in stand-by mode. An input bypass capacitor is recommended if the regulator is located an appreciable distance ( $\geq 4$  inches) from the input voltage source. These regulators require a  $10\ \mu\text{F}$  capacitance between the output terminal and ground for stability. Most types of aluminum, tantalum or multilayer ceramic will perform adequately. Solid tantalums or other appropriate capacitors are recommended for operation

below  $25^\circ\text{C}$ . The bypass capacitors should be mounted with the shortest possible leads or track lengths directly across the regulator input and output terminals.

With economical electrolytic capacitors, cold temperature operation can pose a serious stability problem. As the electrolyte freezes, around  $-30^\circ\text{C}$ , the capacitance will decrease and the equivalent series resistance (ESR) will increase drastically, causing the circuit to oscillate. Quality electrolytic capacitors with extended temperature ranges of  $-40^\circ$  to  $+85^\circ\text{C}$  are readily available. Solid tantalum capacitors may be the better choice if small size is a requirement. However, a maximum ESR limit of  $3.0\ \Omega$  must be observed over temperature to maintain stability.

**Figure 9. Typical Operation**



## MC78BC00 Series

### External PNP Transistor

The external pin of this IC is protected by a current limit circuit from the destruction caused by excess current. The R2 resistor shown in Figure 10 is used for the protection of the

external transistor, although this circuit can operate without the resistor. Resistor R2 should be determined via the input voltage, output voltage, output current, temperature and the  $H_{FE}$  of the external pass transistor.

Figure 10. External PNP

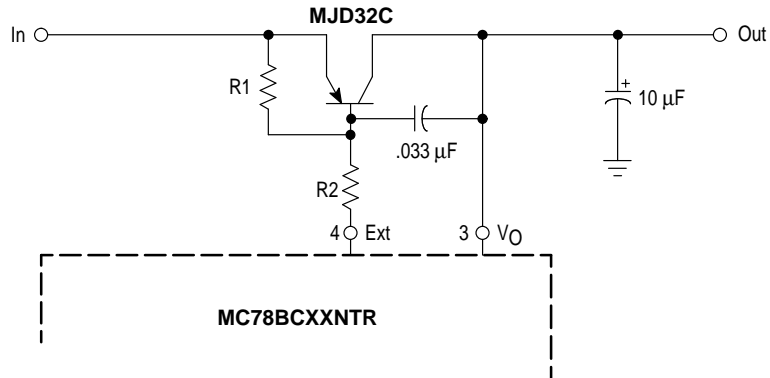
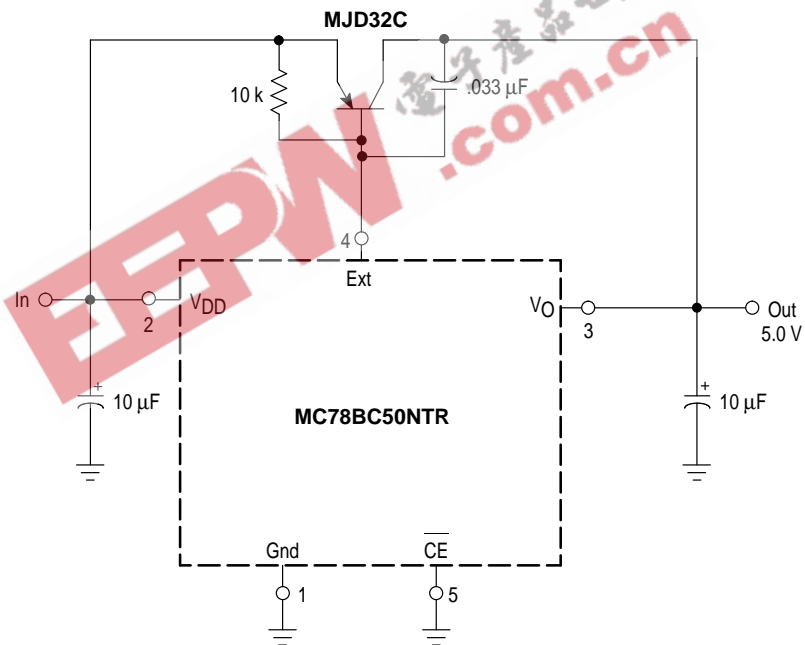


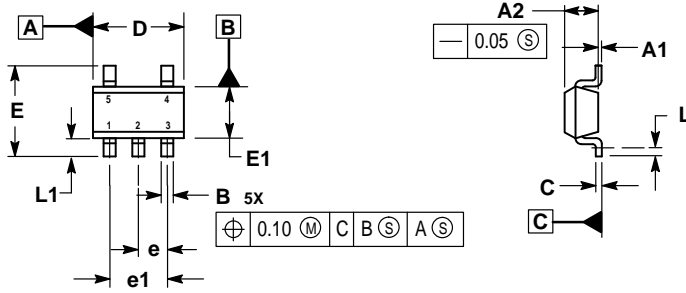
Figure 11. Typical Application



# MC78BC00 Series

## OUTLINE DIMENSIONS

N SUFFIX  
 PLASTIC PACKAGE  
 CASE 1212  
 (SOT-23)  
 ISSUE O




- NOTES:
1. DIMENSIONS ARE IN MILLIMETERS.
  2. INTERPRET DIMENSIONS AND TOLERANCES PER ASME Y14.5M, 1994.
  3. DATUM C IS A SEATING PLANE.

| MILLIMETERS |          |      |
|-------------|----------|------|
| DIM         | MIN      | MAX  |
| A1          | 0.00     | 0.10 |
| A2          | 1.00     | 1.30 |
| B           | 0.30     | 0.50 |
| C           | 0.10     | 0.25 |
| D           | 2.80     | 3.00 |
| E           | 2.50     | 3.10 |
| E1          | 1.50     | 1.80 |
| e           | 0.95 BSC |      |
| e1          | 1.90 BSC |      |
| L           | 0.20     | —    |
| L1          | 0.45     | 0.75 |

EEPW.com.cn 电子产品世界

## MC78BC00 Series

ECPW 电子产品世界  
.com.cn

Motorola reserves the right to make changes without further notice to any products herein. Motorola makes no warranty, representation or guarantee regarding the suitability of its products for any particular purpose, nor does Motorola assume any liability arising out of the application or use of any product or circuit, and specifically disclaims any and all liability, including without limitation consequential or incidental damages. "Typical" parameters which may be provided in Motorola data sheets and/or specifications can and do vary in different applications and actual performance may vary over time. All operating parameters, including "Typicals" must be validated for each customer application by customer's technical experts. Motorola does not convey any license under its patent rights nor the rights of others. Motorola products are not designed, intended, or authorized for use as components in systems intended for surgical implant into the body, or other applications intended to support or sustain life, or for any other application in which the failure of the Motorola product could create a situation where personal injury or death may occur. Should Buyer purchase or use Motorola products for any such unintended or unauthorized application, Buyer shall indemnify and hold Motorola and its officers, employees, subsidiaries, affiliates, and distributors harmless against all claims, costs, damages, and expenses, and reasonable attorney fees arising out of, directly or indirectly, any claim of personal injury or death associated with such unintended or unauthorized use, even if such claim alleges that Motorola was negligent regarding the design or manufacture of the part. Motorola and  are registered trademarks of Motorola, Inc. Motorola, Inc. is an Equal Opportunity/Affirmative Action Employer.

Mfax is a trademark of Motorola, Inc.

### How to reach us:

**USA/EUROPE/Locations Not Listed:** Motorola Literature Distribution;  
P.O. Box 5405, Denver, Colorado 80217. 303-675-2140 or 1-800-441-2447

**JAPAN:** Nippon Motorola Ltd.; Tatsumi-SPD-JLDC, 6F Seibu-Butsuryu-Center,  
3-14-2 Tatsumi Koto-Ku, Tokyo 135, Japan. 81-3-3521-8315

**Mfax™:** RMFAX0@email.sps.mot.com – TOUCHTONE 602-244-6609  
**INTERNET:** <http://Design-NET.com>

**ASIA/PACIFIC:** Motorola Semiconductors H.K. Ltd.; 8B Tai Ping Industrial Park,  
51 Ting Kok Road, Tai Po, N.T., Hong Kong. 852-26629298



**MOTOROLA**



MC78BC00/D