



Micro Commercial Components

Micro Commercial Components
20736 Marilla Street Chatsworth
CA91311

Phone : (818)-701-4933

Fax: (818)-701-4939

MC78L05BP

Three-Terminal Low Current Positive Voltage Regulator

Features

- Internal Short Circuit Current Limiting
- Internal Thermal Overload Protection
- No External Components Required
- Case Material: Molded Plastic. UL Flammability Classification Rating 94V-0

Maximum Ratings

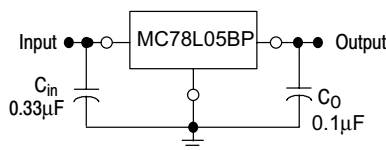
Parameter	Symbol	Value	Unit
Input Voltage (Vo=5.8V)	V ₁	30	V
Operating Junction Temperature	T _{OPR}	-20---+120	°C
Storage Temperature Range	T _{STG}	-55---+150	°C

Electrical Characteristics (V₁=10V, I_o=40mA, 0°C <T_j<125°C, C₁=0.33uF, C_o=0.1uF, unless otherwise specified)

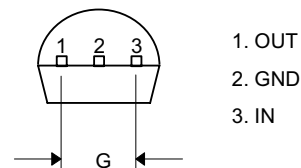
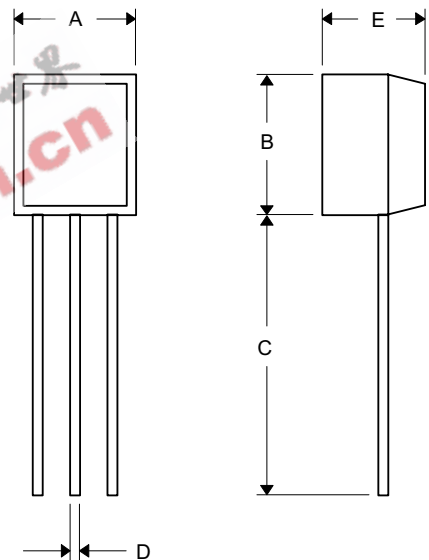
Parameter	Sym	Min	Typ	Max	Test conditions
Output Voltage	V _o	4.8V	5.0V	5.2V	T _j =25°C
		4.7V		5.25V	7V ≤ V ₁ ≤ 20V, I _o =1mA-40mA
		5.0V		5.25V	7V ≤ V ₁ ≤ V _{MAX} , I _o =1mA-700mA (Note)
Load Regulation	ΔV _o		11mV	60mV	I _o =1mA-100mA, T _j =25°C,
			5.0mV	30mV	I _o =1mA-40mA, T _j =25°C
Line regulation	ΔV _o		8mV	150mV	7V ≤ V ₁ ≤ 20V, T _j =25°C
			6mV	100mV	8V ≤ V ₁ ≤ 20V, T _j =25°C
Quiescent Current	I _q		2.0mA	5.5mA	8V ≤ V ₁ ≤ 20V
				1.5mA	
Quiescent Current Change	ΔI _q			0.1mA	1mA ≤ I _o ≤ 40mA
Output Noise Voltage	V _N		40μV		10Hz ≤ f ≤ 100KHz
Ripple Rejection	RR	41dB	80dB		8V ≤ V ₁ ≤ 20V, f=120Hz, T _j =25°C
Dropout Voltage	V _d		1.7V		T _j =25°C

*Note: Bypass Capacitors are recommended for optimum stability and transient response and should be located as close as possible to the regulators

Typical Application:



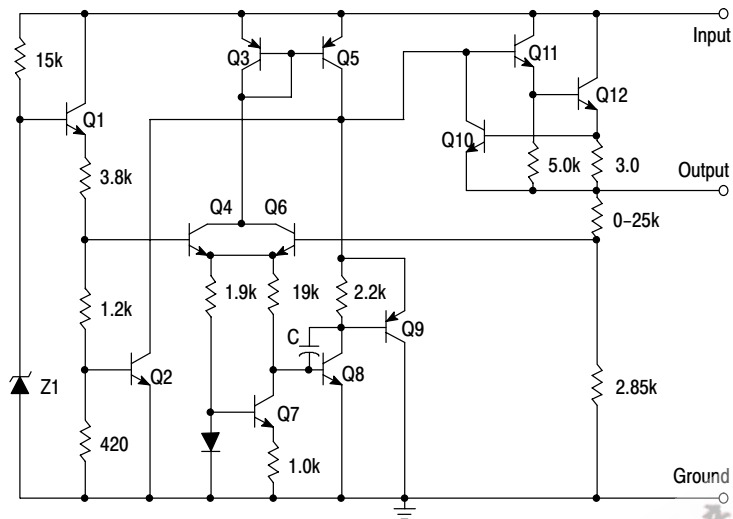
TO-92



DIM	DIMENSIONS				NOTE
	INCHES		MM		
A	.175	.185	4.45	4.70	
B	.175	.185	4.46	4.70	
C	.500	---	12.7	---	
D	.016	.020	0.41	0.63	
E	.135	.145	3.43	3.68	
G	.095	.105	2.42	2.67	

MC78L05BP

Figure 1. Representative Schematic Diagram



EEPW 电子产品世界 .com.cn



TM

Micro Commercial Components

*****IMPORTANT NOTICE*****

Micro Commercial Components Corp. reserves the right to make changes without further notice to any product herein to make corrections, modifications, enhancements, improvements, or other changes. *Micro Commercial Components Corp.* does not assume any liability arising out of the application or use of any product described herein; neither does it convey any license under its patent rights, nor the rights of others. The user of products in such applications shall assume all risks of such use and will agree to hold *Micro Commercial Components Corp.* and all the companies whose products are represented on our website, harmless against all damages.

*****APPLICATIONS DISCLAIMER*****

Products offer by *Micro Commercial Components Corp.* are not intended for use in Medical, Aerospace or Military Applications.

EEPW.com.cn 电子世界