



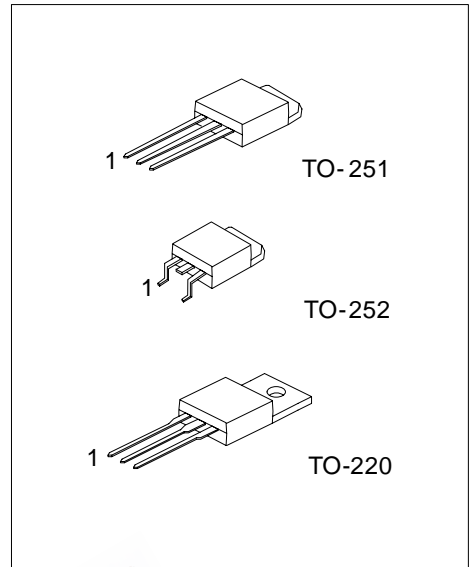
MJE3055T

NPN SILICON TRANSISTOR

HIGH VOLTAGE TRANSISTOR

DESCRIPTION

The UTC **MJE3055T** is designed for general purpose of amplifier and switching applications.



*Pb-free plating product number: MJE3055TL

ORDERING INFORMATION

Order Number		Package	Pin Assignment			Packing
Normal	Lead Free Plating		1	2	3	
MJE3055T-TA3-T	MJE3055TL-TA3-T	TO-220	B	C	E	Tube
MJE3055T-TM3-T	MJE3055TL-TM3-T	TO-251	B	C	E	Tube
MJE3055T-TN3-R	MJE3055TL-TN3-R	TO-252	B	C	E	Tape Reel
MJE3055T-TN3-T	MJE3055TL-TN3-T	TO-252	B	C	E	Tube

<p>MJE3055TL-TA3-T</p> <p>(1) Packing Type</p> <p>(2) Package Type</p> <p>(3) Lead Plating</p>	<p>(1) R: Tape Reel, T: Tube</p> <p>(2) TA3: TO-220, TM3: TO-251, TN3: TO-252</p> <p>(3) L: Lead Free Plating, Blank: Pb/Sn</p>
--	---

■ ABSOLUTE MAXIMUM RATINGS (T_c=25)

(Operating temperature range applies unless otherwise specified)

PARAMETER	SYMBOL	RATINGS	UNIT
Collector-Base Voltage	V _{CBO}	70	V
Collector-Emitter Voltage	V _{CEO}	60	V
Emitter-Base Voltage	V _{EBO}	5	V
Total Power Dissipation	TO-220	75	W
	TO-251/TO-252	20	W
Collector Current	I _C	10	A
Base Current	I _B	6	A
Junction Temperature	T _J	150	
Storage Temperature	T _{STG}	-55 ~ +150	

Note: Absolute maximum ratings are those values beyond which the device could be permanently damaged. Absolute maximum ratings are stress ratings only and functional device operation is not implied.

■ ELECTRICAL CHARACTERISTICS (T_a=25 , unless otherwise specified)

PARAMETER	SYMBOL	TEST CONDITIONS	MIN	TYP	MAX	UNIT
Collector-Emitter Breakdown Voltage	BV _{CEO}	I _C =200mA	60			V
Collector-Base Breakdown Voltage	BV _{CBO}	I _C =10mA	70			V
Emitter-Base Breakdown Voltage	BV _{EBO}	I _E =10mA	5			V
Collector Cut-off Current	I _{CBO}	V _{CB} =70V			1	mA
	I _{CEO}	V _{CE} =30V			700	μA
	I _{CEX}	V _{CE} =70V, V _{EB(OFF)} =1.5V			1	mA
Emitter Cut-off Current	I _{EBO}	V _{EB} =5V			5	mA
Collector-Emitter Saturation Voltage	V _{CE(SAT)1}	I _C =4A, I _B =0.4A			1.1	V
	V _{CE(SAT)2}	I _C =10A, I _B =3.3A			8	V
Base-Emitter on Voltage	V _{BE(ON)}	V _{CE} =4V, I _C =4A			1.8	V
DC Current Gain	h _{FE1}	I _C =4A, V _{CE} =4V	20			
	h _{FE2}	I _C =4A, V _{CE} =10V	5		100	
Current Gain Bandwidth Product	f _T	V _{CE} =10V, I _C =0.5A, f=1MHz	2			MHZ

UTC assumes no responsibility for equipment failures that result from using products at values that exceed, even momentarily, rated values (such as maximum ratings, operating condition ranges, or other parameters) listed in products specifications of any and all UTC products described or contained herein. UTC products are not designed for use in life support appliances, devices or systems where malfunction of these products can be reasonably expected to result in personal injury. Reproduction in whole or in part is prohibited without the prior written consent of the copyright owner. The information presented in this document does not form part of any quotation or contract, is believed to be accurate and reliable and may be changed without notice.