

Surface Mount Aluminum Electrolytic Capacitors NACC Series

FEATURES

- CYLINDRICAL V-CHIP CONSTRUCTION FOR SURFACE MOUNTING
- HIGH TEMPERATURE, EXTEND LIFE (5000 HOURS @ 105°C)
- 4X6.1mm ~ 10X10.5mm CASE SIZES
- DESIGNED FOR REFLOW SOLDERING

CHARACTERISTICS

| | |
|---|--|
| Rated Voltage Range | 6.3 ~ 50Vdc |
| Rate Capacitance Range | 0.1 ~ 1,000 μ F |
| Operating Temp. Range | -40°C ~ +105°C |
| Capacitance Tolerance | \pm 20% (M) |
| Max. Leakage Current After 2 Minutes @ 20°C | 0.01CV or 3 μ A whichever is greater |

**RoHS
Compliant**
includes all homogeneous materials
*See Part Number System for Details

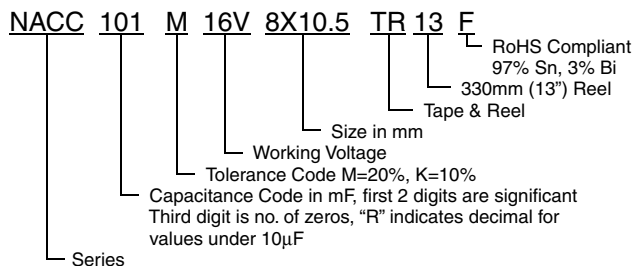


| | | | | | | | |
|---|--------------------|--|------|------|------|------|------|
| Tan δ @ 120Hz/20°C | W.V. (Vdc) | 6.3 | 10 | 16 | 25 | 35 | 50 |
| | S.V.(Vdc) | 8 | 13 | 20 | 32 | 44 | 63 |
| | Tan δ | 0.3* | 0.26 | 0.20 | 0.16 | 0.14 | 0.12 |
| | | * 1,000 μ F is 0.5 | | | | | |
| Load Life Test @ 105°C 4mm ~ 6mm Dia. 3,000hrs 8mm ~ 10mm Dia. 5,000hrs | Capacitance Change | Within \pm 30% of initial measured value | | | | | |
| | Tan δ | Less than 300% of specified max. value | | | | | |
| | Leakage Current | Less than specified max. value | | | | | |

MAXIMUM PERMISSIBLE RIPPLE CURRENT (mA rms @ 120Hz AND 105°C)

| Cap (μ F) | Working Voltage (Vdc) | | | | | |
|----------------|-----------------------|-----|-----|-----|-----|-----|
| | 6.3 | 10 | 16 | 25 | 35 | 50 |
| 0.1 | - | - | - | - | - | 1.0 |
| 0.22 | - | - | - | - | - | 2.6 |
| 0.33 | - | - | - | - | - | 3.2 |
| 0.47 | - | - | - | - | - | 5.0 |
| 1.0 | - | - | - | - | - | 10 |
| 2.2 | - | - | - | - | - | 16 |
| 3.3 | - | - | - | - | - | 16 |
| 4.7 | - | - | - | - | 15 | 23 |
| 10 | - | - | 28 | - | 28 | 35 |
| 22 | 26 | - | 39 | - | 55 | 49 |
| 33 | - | 43 | - | 65 | 57 | 91 |
| 47 | 46 | - | 70 | 65 | - | 100 |
| 100 | 71 | - | 81 | 130 | - | 160 |
| 220 | 101 | 160 | - | - | 220 | - |
| 330 | 230 | - | - | 238 | - | - |
| 470 | - | - | 340 | - | - | - |
| 1000 | 313 | - | - | - | - | - |

PART NUMBER SYSTEM



PRECAUTIONS

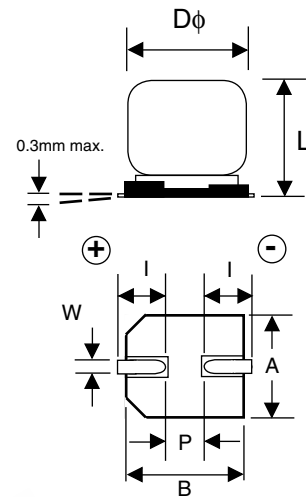
Please review the notes on correct use, safety and precautions found on pages T10 & T11 of NIC's Electrolytic Capacitor catalog.
 Also found at www.niccomp.com/precautions
 If in doubt or uncertainty, please review your specific application - process details with NIC's technical support personnel: tpmg@niccomp.com



Surface Mount Aluminum Electrolytic Capacitors NACC Series

STANDARD PRODUCTS AND CASE SIZE TABLE D x L (mm)

| Cap (μF) | Code | Working Voltage (Vdc) | | | | | |
|----------|------|-----------------------|--------|---------|---------|---------|---------|
| | | 6.3 | 10 | 16 | 25 | 35 | 50 |
| 0.1 | R10 | - | - | - | - | - | 4X6.1 |
| 0.22 | R22 | - | - | - | - | - | 4X6.1 |
| 0.33 | R33 | - | - | - | - | - | 4X6.1 |
| 0.47 | R47 | - | - | - | - | - | 4X6.1 |
| 1.0 | 1R0 | - | - | - | - | - | 4X6.1 |
| 2.2 | 2R2 | - | - | - | - | - | 4X6.1 |
| 3.3 | 3R3 | - | - | - | - | - | 4X6.1 |
| 4.7 | 4R7 | - | - | - | - | 4X6.1 | 5X6.1 |
| 10 | 100 | - | - | 4X6.1 | - | 5X6.1 | 6.3X6.1 |
| 22 | 220 | 4X6.1 | - | 5X6.1 | - | 6.3X6.1 | 6.3X8 |
| 33 | 330 | - | 5X6.1 | - | 6.3X6.1 | 6.3X8 | 8X10.5 |
| 47 | 470 | 5X6.1 | - | 6.3X6.1 | 6.3X8 | - | 8X10.5 |
| 100 | 101 | 6.3X6.1 | - | 6.3X8 | 8X10.5 | - | 10X10.5 |
| 220 | 221 | 6.3X8 | 8X10.5 | - | - | 10X10.5 | - |
| 330 | 331 | 8X10.5 | - | - | 10X10.5 | - | - |
| 470 | 471 | - | - | 10X10.5 | - | - | - |
| 1000 | 102 | 10X10.5 | - | - | - | - | - |



DIMENSIONS D x L (mm)

| Case Size | φD | L max. | A ± 0.2 | B ± 0.2 | I ± 0.2 | W | P ± 0.2 |
|-----------|-----|--------|---------|---------|---------|-----------|---------|
| 4x6.1 | 4.0 | 6.1 | 4.3 | 4.3 | 1.8 | 0.5 ~ 0.8 | 1.0 |
| 5x6.1 | 5.0 | 6.1 | 5.3 | 5.3 | 2.2 | 0.5 ~ 0.8 | 1.5 |
| 6.3x6.1 | 6.3 | 6.1 | 6.6 | 6.6 | 2.6 | 0.5 ~ 0.8 | 1.8 |
| 6.3x8 | 6.3 | 8.0 | 6.6 | 6.6 | 2.6 | 0.5 ~ 0.8 | 1.8 |
| 8x10.5 | 8.0 | 10.5 | 8.3 | 8.3 | 3.4 | 0.7 ~ 1.1 | 3.1 |
| 10x10.5 | 10 | 10.5 | 10.3 | 10.3 | 3.5 | 0.7 ~ 1.1 | 4.6 |

