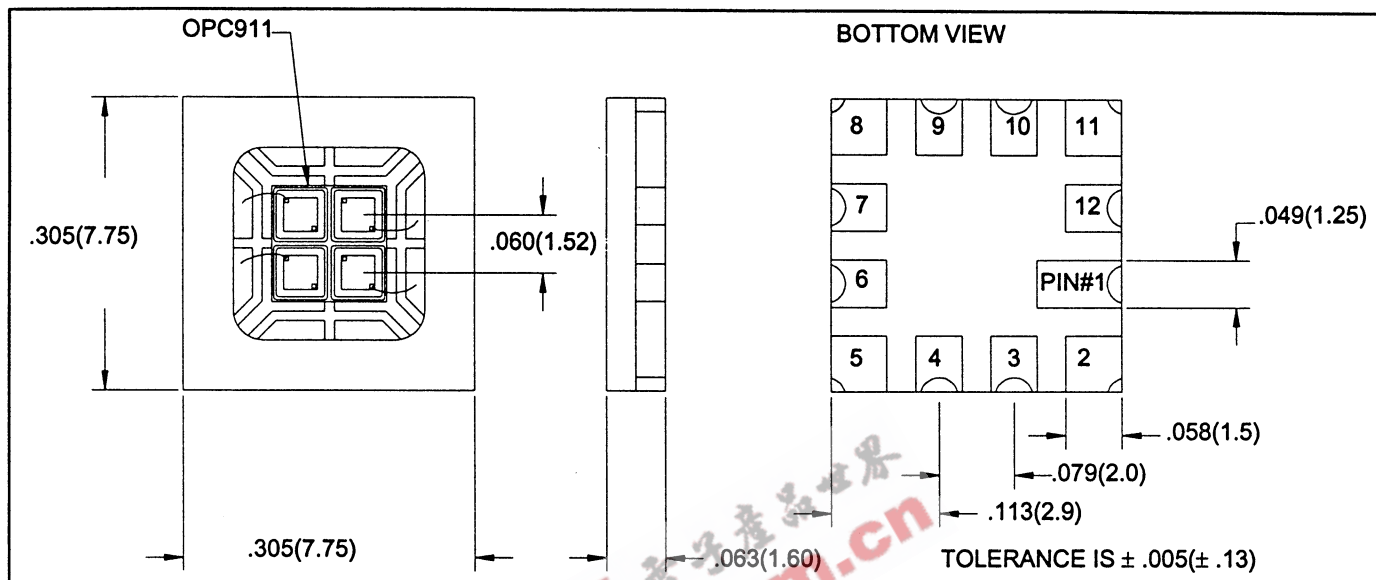


Surface Mount Quad Photodiode Type OPR5911



Features

- Surface Mountable
- Closely Matched Responsivity
- High Temperature Operation

Absolute Maximum Ratings (T_A = 25° C unless otherwise noted)

- Storage and Operating Temperature -55° C to +125° C
- Reverse Breakdown Voltage 14 V Min.
- Solder Temperature (Vapor Phase Reflow for 30 sec.) 235° C

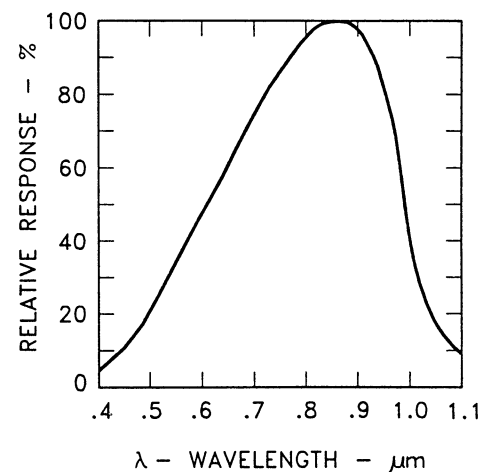
Description

Enclosed in a compact polyimide chip carrier, this four element photodiode is ideal for a variety of encoder and controls applications. The single chip construction insures excellent matching and very tight dimensional tolerances between the active areas. The custom opaque package material shields the photodiodes from stray light and can withstand multiple exposures to the most demanding soldering conditions. The wrap around solder pads are gold plated for exceptional storage and wetting characteristics.

PIN OUT:

- PIN # 1. ANODE #1
- 2. COMMON CATHODE
- 3. N/C
- 4. N/C
- 5. COMMON CATHODE
- 6. ANODE #4
- 7. ANODE #3
- 8. COMMON CATHODE
- 9. N/C
- 10. N/C
- 11. COMMON CATHODE
- 12. ANODE #2

SPECTRAL RESPONSIVITY



Electrical Characteristics (T_A = 25° C unless otherwise noted)

SYMBOL	PARAMETER	MIN	TYP	MAX	UNITS	TEST CONDITION
R _λ	Responsivity	.45			A/W	Φ _e = 10 μW, λ = 890 nm, V = 0 V
V _{(BR)R}	Reverse Breakdown Voltage	14			V	I _R = 100 μA
I _D	Reverse Dark Current			30	nA	V _R = 10 V
C _T	Capacitance		10		pf	V _R = 0 V
L x W	Active Area (per diode)		1.0		mm ²	(1.0 mm x 1.0 mm)