

OLED DISPLAY SOLUTIONS

**Pictiva™ 2.7-inch
128x64
OLED display**



OS128064PK27MxxA00

Features

- Long-lifetime OLED
- Industry standard size
- 180° viewing angle
- Fast response, video capable
- High contrast
- Wide operating temperature range
- Thin profile (3.4mm)
- RoHS compliant

Benefits

- Ease of readability
- No backlight required
- Excellent presentation of graphic or text images
- Upgrade path from standard LCDs

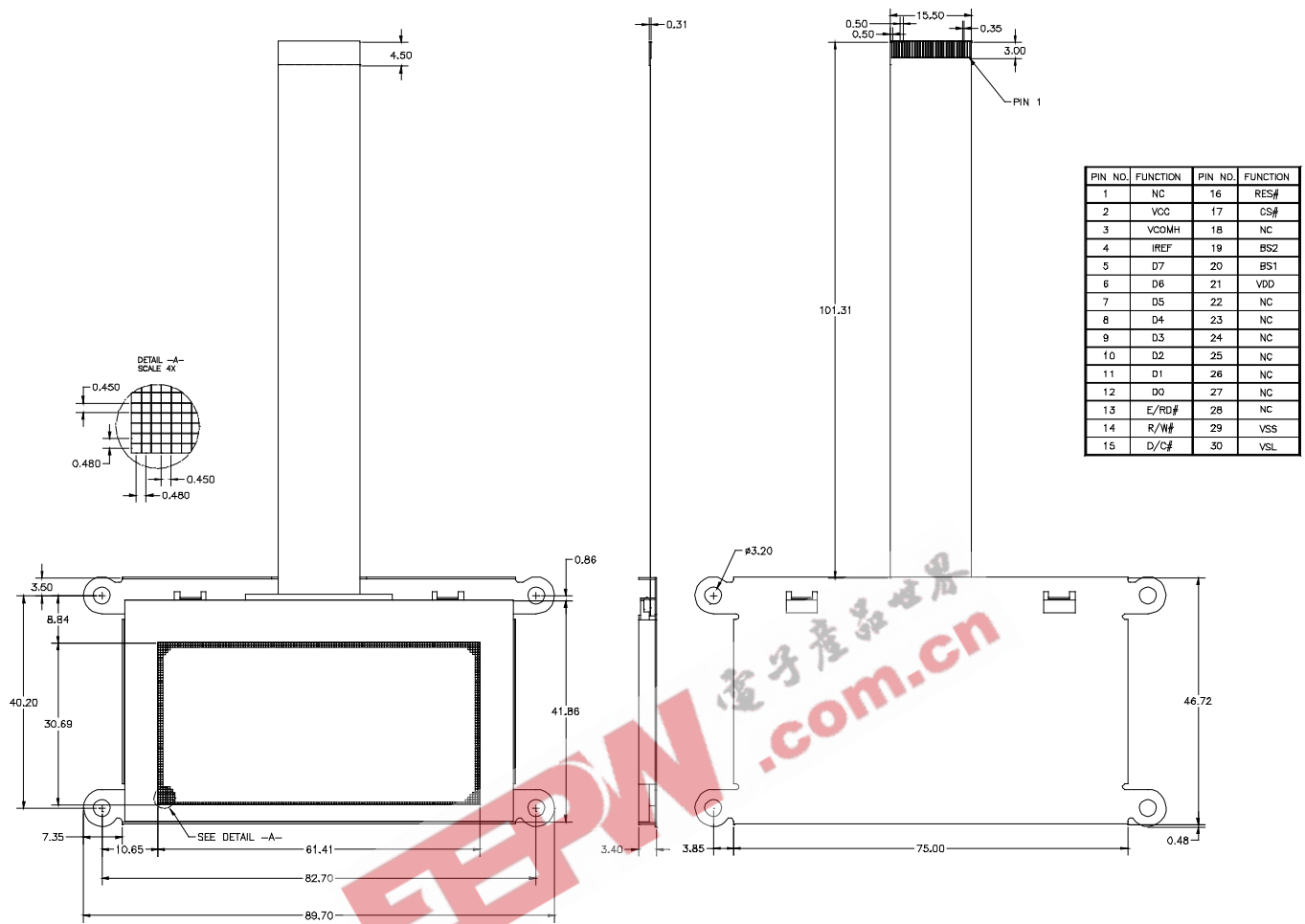
Applications

- Audio
- Industrial
- Medical
- Instruments

Specifications

| | | | | | |
|-----------------------------|-------------------------------------|-------|-------|-------------------|--------------------|
| Display Format | 128 Columns x 64 Rows | | | | |
| Diagonal | 2.7 inch | | | | |
| Pixel Pitch | 0.48 (H) x 0.48 (W) mm | | | | |
| Color, Luminance & Lifetime | Color | CIE x | CIE y | cd/m ² | Lifetime hrs, 25°C |
| | Elegance Yellow | 0.46 | 0.54 | 70 | 55K |
| | Spring Green | 0.41 | 0.58 | 100 | 12K |
| | 70 | | | 22K | |
| Grayscale | 4 bit (16 gray levels) | | | | |
| Active Area | 61.4 (W) X 30.7 (H) mm | | | | |
| Module Size | 89.7 (W) X 46.7 (H) X 3.4(T) mm | | | | |
| Viewing Angle | 180° | | | | |
| Contrast Ratio | 2000:1 dark ambient | | | | |
| Temperature | -30°C to +70°C | | | | |
| Logic Voltage | 2.4V - 3.5V | | | | |
| Supply Voltage | 15V typical | | | | |
| Power Consumption | 0.05 mW (sleep mode) | | | | |
| Interface | Parallel / Serial, ZIF interconnect | | | | |
| Driver | SSD0323 | | | | |
| Weight | 23g typical | | | | |

Mechanical Dimensions and Pin Description



Ordering Information

| Part Number | Order Number | Description |
|--------------------|--------------|--|
| OS128064PK27MY0B00 | Q65110A4433 | Pictiva™ 2.7 inch 128x64 OLED Display, Elegance Yellow |
| OS128064PK27MG0B00 | Q65110A4434 | Pictiva™ 2.7 inch 128x64 OLED Display, Spring Green |

Contact Information

OSRAM Opto Semiconductors

Asia: +60(4) 631-8100 prasia@osram-os.com

Europe: +49 (0)941-850-3535 pr@osram-os.com

North America: +1-888-446-7726 ext.4310 info@osram-os.com

Web: www.pictiva.com