

Product Specification
OS8740230

Si Optical Receiver, 40 – 870MHz, 225mA max. @ 24VDC



FEATURES

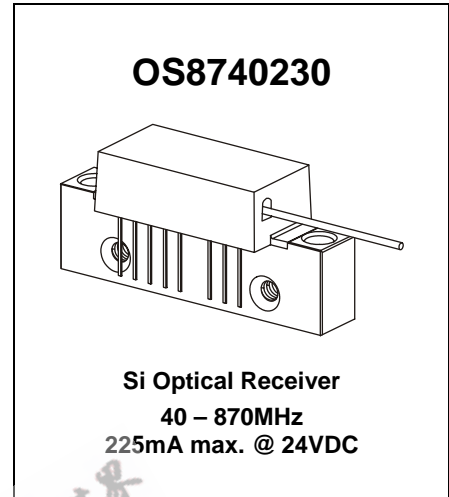
- Excellent linearity
- Superior return loss performance
- Extremely low distortion
- Optimal reliability
- Low noise
- Standard CATV outline
- Excellent flatness

APPLICATION

- 40 to 870 MHz CATV amplifier systems

DESCRIPTION

- Hybrid high dynamic range optical receiver amplifier module. Two of the module pins are for connection to 24V (DC), one for amplifier supply voltage, the other for the PIN diode bias. The module contains a single mode optical input suitable for wavelengths from 1290 to 1600 nm, a terminal to monitor the PIN diode current and an electrical output with an impedance of 75 Ω.



HANDLING

- Fiberglass optical coupling: maximum tensile strength = 5 N; minimum bending radius = 35mm.

LIMITING VALUES

In accordance with the Absolute Maximum Rating System (IEC 60134)

SYMBOL	PARAMETER	MIN.	MAX.	UNIT
f	frequency range	40	870	MHz
P _{in}	optical input power (continuous)	-	5	mW
ESD	ESD sensitivity (human body model; R = 1.5 kΩ, C = 100 pF)	500		V
T _{stg}	storage temperature	- 40	+ 85	°C
T _{mb}	operating mounting base temperature	- 20	+ 85	°C

CHARACTERISTICS

Table 1: Bandwidth 40 to 870MHz; V_B = 24V; T_{mb} = 30°C; Z_L = 75 Ω

SYMBOL	PARAMETER	CONDITIONS	MIN.	TYP.	MAX.	UNIT
S	responsivity	λ = 1310 nm	900.0	950.0	1050	V/W
SL	slope straight line	f = 40 to 870 MHz	0.0		2.0	dB
FL	flatness straight line	f = 40 to 870 MHz	-	0.7	1.0	dB
	optical input return loss		45.0	55.0	-	dB
S ₂₂	output return loss	f = 40 to 870 MHz	12.5	14.0	-	dB
EINC	equivalent input noise	f = 40 to 750 MHz			7.0	pA/√Hz
		f = 750 to 870 MHz			8.0	pA/√Hz
s _λ	spectral sensitivity	λ = 1310 +- 20 nm	0.85		-	A/W
		λ = 1550 +- 20 nm	0.90		-	A/W
λ	optical wavelength		1290		1600	nm
I _{tot}	total current consumption (DC) ¹³⁾		205.0	215.0	225.0	mA
I _{pin 4}	PIN diode bias current		-		10.0	mA

Product Specification
OS8740230

Si Optical Receiver, 40 – 870MHz, 225mA max. @ 24VDC



CHARACTERISTICS

Table 2: Distortion data 40 – 870 MHz; $V_B = 24V$; $T_{mb} = 30^\circ C$; $Z_L = 75 \Omega$

SYMBOL	PARAMETER	CONDITIONS	MIN.	TYP.	MAX.	UNIT
d ₂	second order distortion ¹⁾	$f_m = 54.0 \text{ MHz}$ ³⁾	-		-73.0	dBc
		$f_m = 446.5 \text{ MHz}$ ⁴⁾	-		-68.0	dBc
		$f_m = 548.5 \text{ MHz}$ ⁵⁾	-		-67.0	dBc
		$f_m = 746.5 \text{ MHz}$ ⁶⁾	-		-63.0	dBc
		$f_m = 854.5 \text{ MHz}$ ⁷⁾	-		-63.0	dBc
d ₃	third order distortion ²⁾	$f_m = 55.25 \text{ MHz}$ ⁸⁾	-		-80.0	dBc
		$f_m = 445.25 \text{ MHz}$ ⁹⁾	-		-80.0	dBc
		$f_m = 547.25 \text{ MHz}$ ¹⁰⁾	-		-75.0	dBc
		$f_m = 745.25 \text{ MHz}$ ¹¹⁾	-		-75.0	dBc
		$f_m = 853.25 \text{ MHz}$ ¹²⁾	-		-75.0	dBc

Notes:

- Two laser test; each laser with 40% modulation index; $P_{opt} = 1 \text{ mW}$ (total).
- Three laser test; each laser with 60% modulation index; $P_{opt} = 1 \text{ mW}$ (total).
- $f_m = 54 \text{ MHz}$; $f_1 = 187.25 \text{ MHz}$; $f_2 = 133.25 \text{ MHz}$.
- $f_m = 446.5 \text{ MHz}$; $f_1 = 97.25 \text{ MHz}$; $f_2 = 349.25 \text{ MHz}$.
- $f_m = 548.5 \text{ MHz}$; $f_1 = 109.25 \text{ MHz}$; $f_2 = 439.25 \text{ MHz}$.
- $f_m = 746.5 \text{ MHz}$; $f_1 = 133.25 \text{ MHz}$; $f_2 = 613.25 \text{ MHz}$.
- $f_m = 854.5 \text{ MHz}$; $f_1 = 133.25 \text{ MHz}$; $f_2 = 721.25 \text{ MHz}$.
- $f_m = 55.25 \text{ MHz}$; $f_1 = 109.25 \text{ MHz}$; $f_2 = 133.25 \text{ MHz}$; $f_3 = 187.25 \text{ MHz}$.
- $f_m = 445.25 \text{ MHz}$; $f_1 = 193.25 \text{ MHz}$; $f_2 = 349.25 \text{ MHz}$; $f_3 = 97.25 \text{ MHz}$.
- $f_m = 547.25 \text{ MHz}$; $f_1 = 217.25 \text{ MHz}$; $f_2 = 439.25 \text{ MHz}$; $f_3 = 109.25 \text{ MHz}$.
- $f_m = 745.25 \text{ MHz}$; $f_1 = 133.25 \text{ MHz}$; $f_2 = 265.25 \text{ MHz}$; $f_3 = 613.25 \text{ MHz}$.
- $f_m = 853.25 \text{ MHz}$; $f_1 = 133.25 \text{ MHz}$; $f_2 = 265.25 \text{ MHz}$; $f_3 = 721.25 \text{ MHz}$.
- I_{tot} is total current into hybrid with both pins 4 and 5 connected to $V_B=24V$

CABLE LENGTHS AND CONNECTOR TYPES

Table 3:

TAB	Dimension A, see Figure 1 and Figure 2		Dimension B, see Figure 2		Optical Connector Type
	inches	mm	inches	mm	
-012	33.4 ^{+0.5} _{-4.}	848 ^{+13.} _{-102.}	No Outer Jacket		FC/APC
-013	33.4 ^{+0.5} _{-4.}	848 ^{+13.} _{-102.}	No Outer Jacket		SC/APC
-014	37.5 ^{+0.5} _{-3.5}	952 ^{+13.} _{-89.}	0.325 min., 0.550 max.	8.3 min., 14.0 max.	FC/APC
-015	37.5 ^{+0.5} _{-3.5}	952 ^{+13.} _{-89.}	0.325 min., 0.550 max.	8.3 min., 14.0 max.	SC/APC
-016	21.1 ^{+0.5} _{-1.5}	536 ^{+13.} _{-38.}	0.325 min., 0.550 max.	8.3 min., 14.0 max.	FC/APC
-017	21.1 ^{+0.5} _{-1.5}	536 ^{+13.} _{-38.}	0.325 min., 0.550 max.	8.3 min., 14.0 max.	SC/APC

Product Specification
OS8740230

Si Optical Receiver, 40 – 870MHz, 225mA max. @ 24VDC

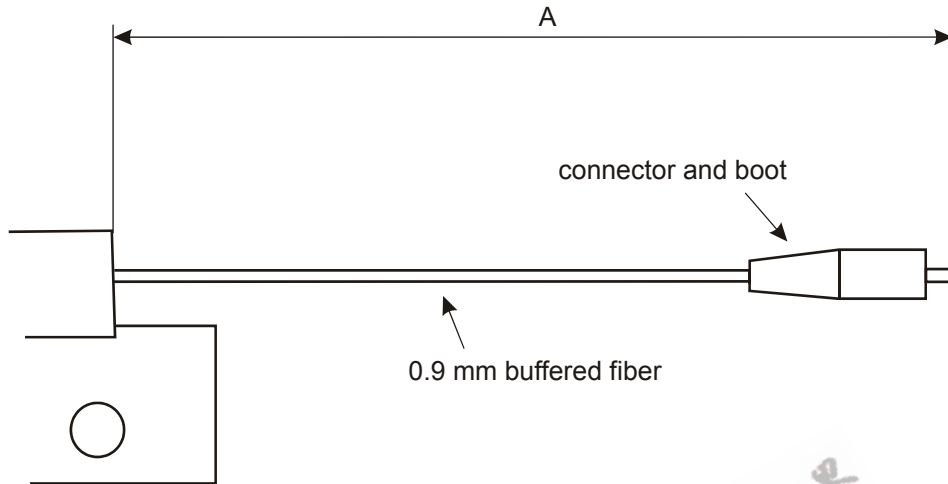


Figure 1: Detail of cable attachment, dimensions in mm; (TABs -012, -013)

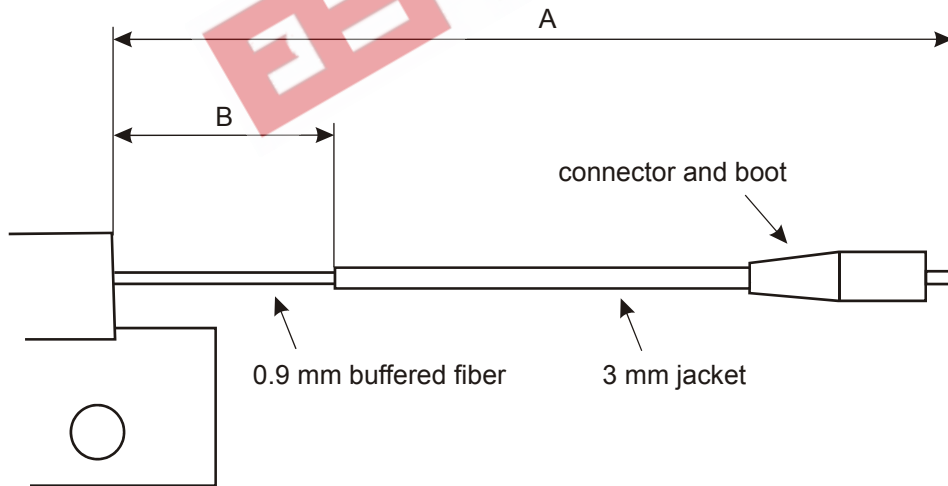
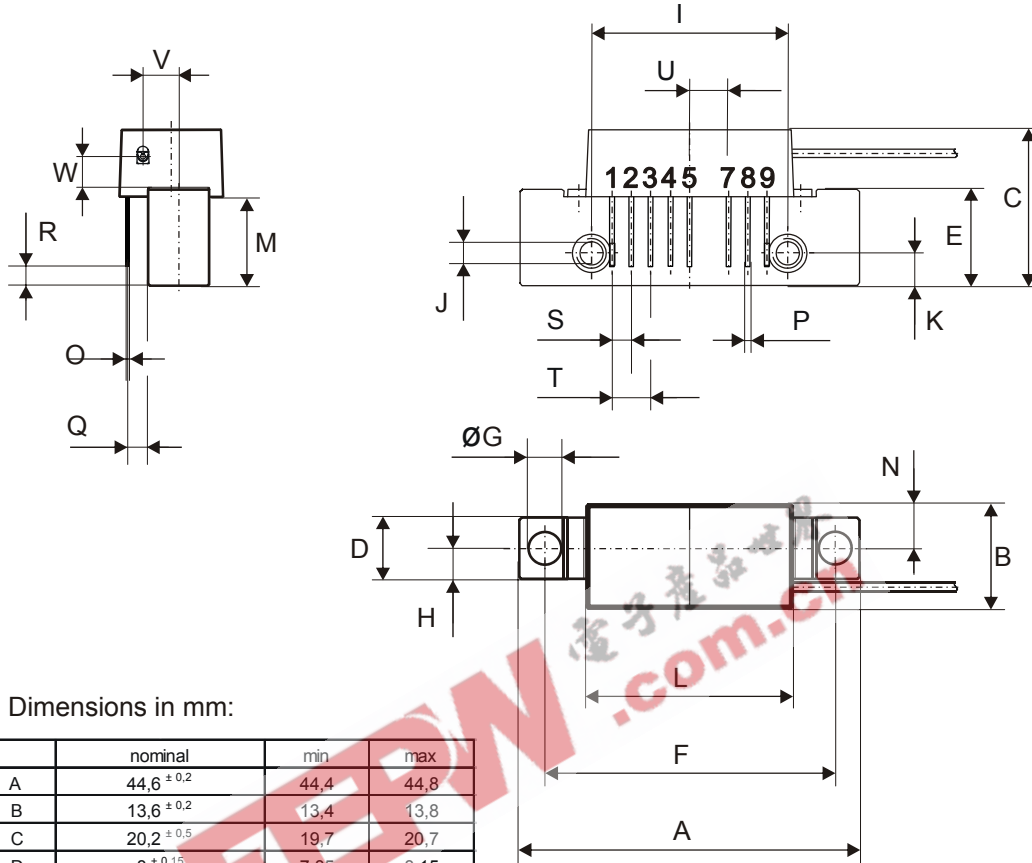


Figure 2: Detail of cable attachment, dimensions in mm (TABs -014, -015, -016, -017)

Product Specification
OS8740230

Si Optical Receiver, 40 – 870MHz, 225mA max. @ 24VDC



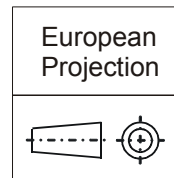
All Dimensions in mm:

	nominal	min	max
A	44,6 ± 0,2	44,4	44,8
B	13,6 ± 0,2	13,4	13,8
C	20,2 ± 0,5	19,7	20,7
D	8 ± 0,15	7,85	8,15
E	12,6 ± 0,15	12,45	12,75
F	38,1 ± 0,1	38,0	38,2
G	4 +0,2 / -0,05	3,95	4,2
H	4 ± 0,2	3,8	4,2
I	25,4 ± 0,2	25,2	25,6
J	UNC 6-32	-	-
K	4,2 ± 0,2	4,0	4,4
L	28,7 ± 0,2	28,5	28,9
M	11,6 ± 0,5	11,1	12,1
N	5,8 ± 0,4	5,4	6,2
O	0,25 ± 0,02	0,23	0,27
P	0,45 ± 0,03	0,42	0,48
Q	2,54 ± 0,3	2,24	2,84
R	2,54 ± 0,5	2,04	3,04
S	2,54 ± 0,25	2,29	2,79
T	5,08 ± 0,25	4,83	5,33
U	5,08 ± 0,25	4,83	5,33
V	4,7 ± 0,2	4,5	4,9
W	3,8		

Pinning:

1	PHOTODIODE CURRENT MONITOR
2	GND
3	GND
4	PHOTODIODE BIAS
5	+VB
6	
7	GND
8	GND
9	OUTPUT

Notes:



0 5 10mm
scale

Product Specification
OS8740230

Si Optical Receiver, 40 – 870MHz, 225mA max. @ 24VDC



DEFINITIONS

Data Sheet Status	
Objective Product Specification	This data sheet contains target or goal specifications for product development.
Preliminary Product Specification	This data sheet contains preliminary data; supplementary data may be published later.
Product Specification	This data sheet contains final product specifications.
Limiting values	
Limiting values given are in accordance with the Absolute Maximum Rating System (IEC 60134). Stress above one or more of the limiting values may cause permanent damage to the device. These are stress ratings only and operation of the device at these or at any other conditions above those given in the Characteristics sections of the specification is not implied. Exposure to limiting values for extended periods may affect device reliability.	
Application information	
Where application information is given, it is advisory and does not form part of the specification.	

Premier Devices reserves the right to make changes without further notice to any products herein. Premier Devices makes no warranty representation or guarantee regarding the suitability of its products for any particular purpose, nor does Premier Devices assume any liability arising out of the application or use of any product or circuit, and specifically disclaims any and all liability, including without limitation consequential or incidental damages. "Typical" parameters which may be provided in Premier Devices datasheets and/or specifications can and do vary in different applications and actual performance may vary over time. All operating parameters, including "Typicals" must be validated for each customer application by customer's technical experts. Premier Devices does not convey any license under its patent rights nor the rights of others. Premier Devices products are not designed, intended, or authorized for use as components in systems intended for surgical implant into the body, or other applications intended to support or sustain life, or for any other application in which the failure of the Premier Devices product could create a situation where personal injury or death may occur. Should Buyer purchase or use Premier Devices products for any such unintended or unauthorized application, Buyer shall indemnify and hold Premier Devices and its officers, employees, subsidiaries, affiliates, and distributors harmless against all claims, costs, damages, and expenses, and reasonable attorney fees arising out of, directly or indirectly, and claim of personal injury or death associated with such unintended or unauthorized use, even if such claim alleges that Premier Devices was negligent regarding the design or manufacture of the part.

© Premier Devices Germany GmbH 2004

How to contact us:



Premier Devices Germany GmbH

Loeffelholzstrasse 20, D-90441 Nuernberg, Germany
Phone: +49 (0) 911 9411 233, FAX: +49 (0) 911 9411 198,
Email: sales.germany@premierdevices.com, Internet: <http://www.premierdevices.de/>