

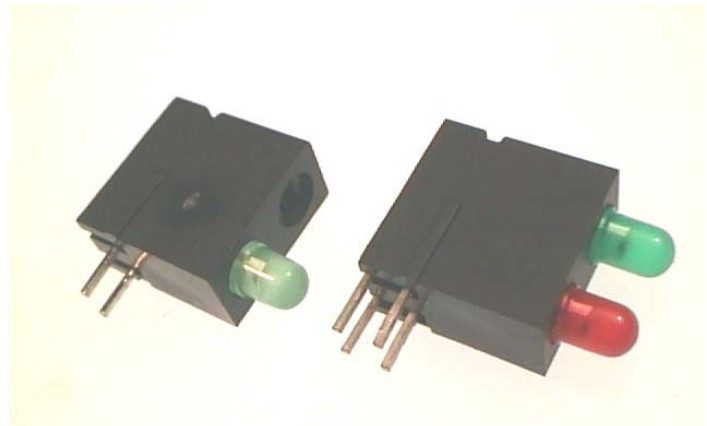
ORD 9702XXL ORE 9701XL Low Current PCB MOUNTED LEDS

An assembly containing one or two LEDs. The housings provide convenient and rigid mountings for a double row of T1 size LEDs on 5.08mm vertical pitch.

- Leads on 0.1 inch pitch for easy assembly.
- Matched brightness.

Features to Customer's specifications

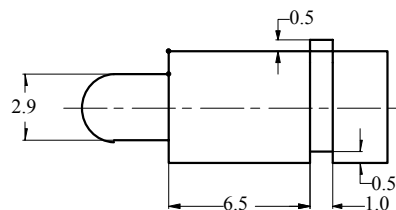
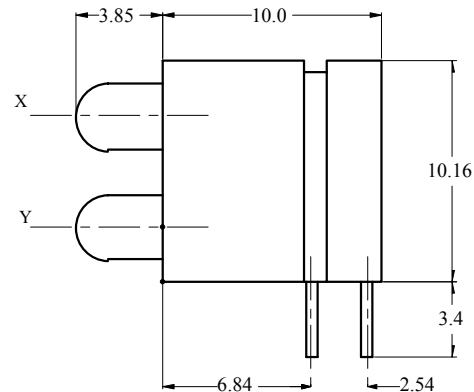
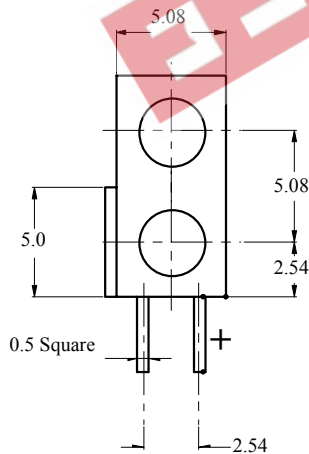
- One or two LEDs per assembly in any position required.
- LED colours and combination of colours.
- Polarity of leads



ORE9701XL

ORD9702XXL

MECHANICAL DATA



BEDFORD OPTO TECHNOLOGY LTD
1,BIGGAR BUSINESS PARK, BIGGAR, ML12 6FX
Tel: +44 (0) 1899 221221 Fax: +44 (0) 1899 221009
Website: bot.co.uk E-mail: bill@bot.co.uk

