

Model P140
14mm Rotary Potentiometer
Dual Unit
Conductive Plastic Element
With / Without Bushing
Insulated Shaft
RoHS Compliant



MODEL STYLES

| | |
|------------------------------|---------|
| Side Adjust, without Bushing | P140KV |
| Side Adjust, with Bushing | P140KV1 |
| Top Adjust, without Bushing | P140KH |
| Top Adjust, with Bushing | P140KH1 |

ELECTRICAL¹

| | |
|-----------------------------------|---------------------|
| Resistance Range, Ohms | 500-1M |
| Standard Resistance Tolerance | ± 20% |
| Residual Resistance | 20 ohms max. |
| Input Voltage, maximum | 50 Vac max. |
| Power rating, Watts | 0.05w |
| Dielectric Strength | 500Vac, 1 minute |
| Insulation Resistance, Minimum | 100M ohms at 250Vdc |
| Sliding Noise | 100mV max. |
| Gang Error (Multi-ganged) | -40dB – 0dB, ±3dB |
| Actual Electrical Travel, Nominal | 270° |

MECHANICAL

| | |
|----------------------------|-----------|
| Total Mechanical Travel | 300°± 10° |
| Static Stop Strength | 70 oz-in |
| Rotational Torque, Maximum | 2.5 oz-in |

ENVIRONMENTAL

| | |
|-----------------------------|----------------|
| Operating Temperature Range | -20°C to +70°C |
| Rotational Life | 30,000 cycles |

¹ Specifications subject to change without notice.

Model P140

ORDERING INFORMATION²



Shaft Types

| | F-TYPE | | | | | Y-TYPE | | |
|-----------------|--------|-----|----|----|----|--------|----|----|
| | | | | | | | | |
| WITH BUSHING | L | 15 | 20 | 25 | 30 | L | 15 | 20 |
| | T | 7 | 12 | 12 | 12 | T | 7 | 12 |
| WITHOUT BUSHING | L | 15 | 20 | 25 | 30 | L | 15 | 20 |
| | T | 4.5 | 7 | 12 | 12 | T | 5 | 7 |

STANDARD RESISTANCE VALUES, OHMS

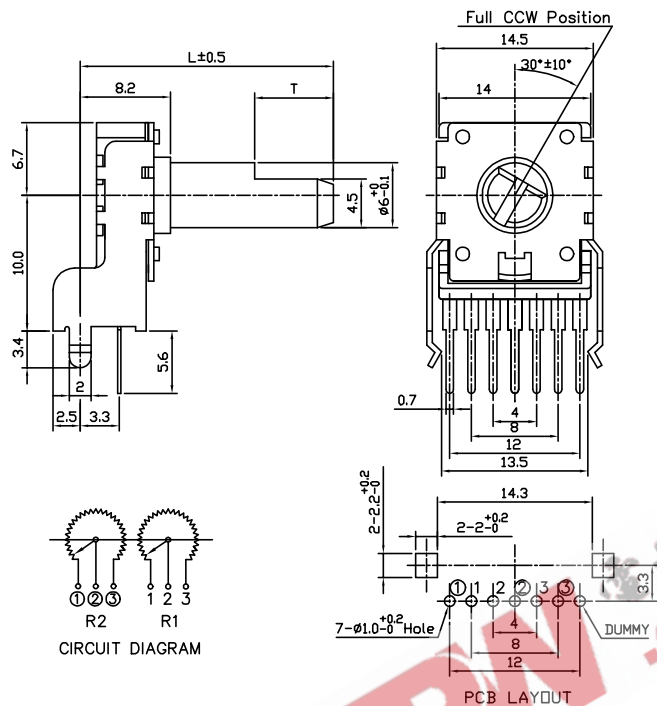
| | | | | | | | | | | |
|-----|----|----|----|-----|-----|-----|------|------|------|------|
| 500 | 1K | 2K | 5K | 10K | 20K | 50K | 100K | 200K | 500K | 1MEG |
|-----|----|----|----|-----|-----|-----|------|------|------|------|

² Contact our customer service for custom designs and features.

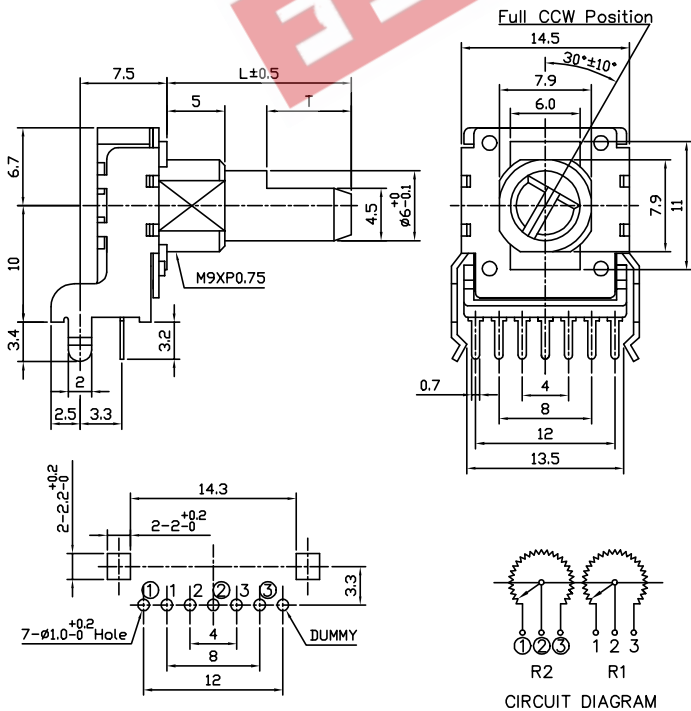
Model P140

OUTLINE DRAWING

Model P140KV (Side Adjust, without Bushing)



Model P140KV1 (Side Adjust, with Bushing)



Model P140

Model P140KH (Top Adjust, without Bushing)



Model P140KH1 (Top Adjust, with Bushing)

