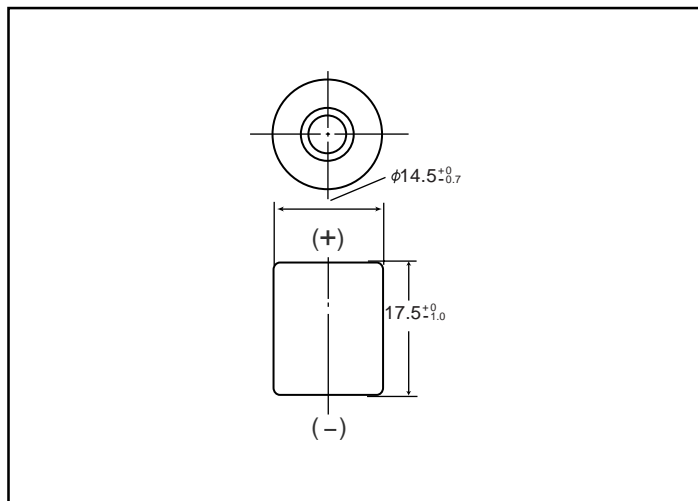


NICKEL CADMIUM BATTERIES: INDIVIDUAL DATA SHEET

P-11AAH 1/3AA size (KR15/18) Type: H

Dimensions (with tube) (mm)



Specifications

	mm	inch
Diameter	14.5 +0/-0.7	0.57 +0/-0.03
Height	17.5 +0/-1.0	0.69 +0/-0.04
Approximate Weight	Grams	Ounces
	6.5g	0.23

Nominal Voltage		1.2V	
Discharge Capacity*	Average**	120mAh	
	Rated (Min.)	110mAh	
Approx. Internal impedance at 1000Hz at charged state		80mΩ	
Charge	Standard	11mA (0.1It) x 16 hrs.	
	Trickle	Max Current	5.5mA (0.05It) x 30h and over
		Min Current	3.7mA (0.033It) x 45h and over
Ambient Temperature	Charge	°C	°F
		0°C to 50°C	32°F to 122°F
	Discharge	-20°C to 65°C	-4°F to 149°F
		Storage	< 2 years
	< 6 months		-20°C to 45°C -4°F to 113°F
	< 1 month		-20°C to 55°C -4°F to 131°F

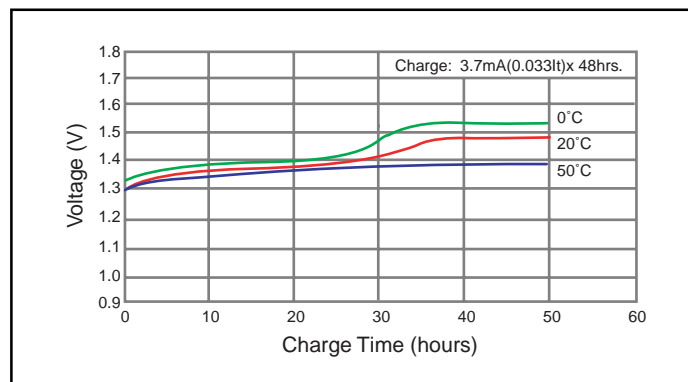
* 0.2It discharge capacity after charging at 0.1It for 16 hours.

** For reference only.

Battery performance and cycle life are strongly affected by how they are used. In order to maximize battery safety, please consult Panasonic when determining charge / discharge specs, warning label contents and unit design.

Note: [It] was previously expressed as [C]. [It] is an IEC standard expression for the amount of charge or discharge current and is expressed as:
 $It(A) = Cn (Ah)/1h$.
 • [It] is the reference test current in amperes
 • [Cn] is the rated capacity of the cell or battery in Ampere-hours.
 n = the time base [hours] for which the rated capacity is declared

Typical Charge Characteristics



Typical Discharge Characteristics

