


PASSIVATED ASSEMBLED CIRCUIT ELEMENTS

Features

- Glass passivated junctions for greater reliability
- Electrically isolated base plate
- Available up to 1200 V_{RRM}, V_{DRM}
- High dynamic characteristics
- Wide choice of circuit configurations
- Simplified mechanical design and assembly
- UL E78996 approved 

25A

Description

The P100 series of Integrated Power Circuits consists of power thyristors and power diodes configured in a single package. With its isolating base plate, mechanical designs are greatly simplified giving advantages of cost reduction and reduced size.

Applications include power supplies, control circuits and battery chargers.

Major Ratings and Characteristics

Parameters	P100	Units
I _D	25	A
@ T _C	85	°C
I _{FSM}	357	A
@ 50Hz		
@ 60Hz	375	A
i ² t	637	A ² s
@ 50Hz		
@ 60Hz	580	A ² s
i ² /t	6365	A ² /s
V _{RRM}	400 to 1200	V
V _{INS}	2500	V
T _J	- 40 to 125	°C

P100 Series

Bulletin I27125 rev. A 04/99

International
IRF Rectifier

ELECTRICAL SPECIFICATIONS

Voltage Ratings

Type number	V_{RRM} maximum repetitive peak reverse voltage V	V_{RSM} maximum non-repetitive peak reverse voltage V	V_{DRM} maximum repetitive peak off-state voltage V	I_{RRM} max. @ T_J max. mA
P101, P121, P131	400	500	400	10
P102, P122, P132	600	700	600	
P103, P123, P133	800	900	800	
P104, P124, P134	1000	1100	1000	
P105, P125, P135	1200	1300	1200	

On-state Conduction

Parameter	P100	Units	Conditions
I_D Maximum DC output current	25	A	@ $T_C = 85^\circ\text{C}$, full bridge
I_{TSM} Max. peak one-cycle non-repetitive on-state or forward current	357	A	$t = 10\text{ms}$ No voltage reappplied
I_{FSM}	375		$t = 8.3\text{ms}$ 100% V_{RRM} reappplied
	300		$t = 10\text{ms}$ reappplied
	315		$t = 8.3\text{ms}$ reappplied
I^2t Maximum I^2t for fusing	637	A ² s	$t = 10\text{ms}$ No voltage reappplied
	580		$t = 8.3\text{ms}$ reappplied
	450		$t = 10\text{ms}$ 100% V_{RRM} reappplied
	410		$t = 8.3\text{ms}$ reappplied
$I^2\sqrt{t}$ Maximum $I^2\sqrt{t}$ for fusing	6365	A ² √s	$t = 0.1$ to 10ms , no voltage reappplied I^2t for time $t_x = I^2\sqrt{t} \cdot \sqrt{t_x}$
$V_{T(TO)}$ Max. value of threshold voltage	0.82	V	$T_J = 125^\circ\text{C}$
r_{t1} Max. level value of on-state slope resistance	12	mΩ	$T_J = 125^\circ\text{C}$, Av. power = $V_{T(TO)} \cdot I_{T(AV)} + r_t + (I_{T(RMS)})^2$
V_{TM} Max. peak on-state or forward voltage drop	1.35	V	$T_J = 25^\circ\text{C}$, $I_{TM} = \pi \times I_{T(AV)}$
di/dt Maximum non repetitive rate of rise of turned on current	200	A/μs	$T_J = 125^\circ\text{C}$ from $0.67 V_{DRM}$ $I_{TM} = \pi \times I_{T(AV)}$, $I_g = 500\text{mA}$, $t_r < 0.5\mu\text{s}$, $t_p > 6\mu\text{s}$
I_H Maximum holding current	130	mA	$T_J = 25^\circ\text{C}$ anode supply = 6V, resistive load, gate open
I_L Maximum latching current	250	mA	$T_J = 25^\circ\text{C}$ anode supply = 6V, resistive load

Blocking

Parameter	P100	Units	Conditions
dv/dt Maximum critical rate of rise of off-state voltage	200	V/μs	T _J = 125°C, exponential to 0.67 V _{DRM} gate open
I _{RRM} Max. peak reverse and off-state leakage current at V _{RRM} , V _{DRM}	10	mA	T _J = 125°C, gate open circuit
I _{RRM} Max peak reverse leakage current	100	μA	T _J = 25°C
V _{INS} RMS isolation voltage	2500	V	50Hz, circuit to base, all terminal shorted, T _J = 25°C, t = 1s

Triggering

Parameter	P100	Units	Conditions
P _{GM} Maximum peak gate power	8	W	
P _{G(AV)} Maximum average gate power	2		
I _{GM} Maximum peak gate current	2	A	
-V _{GM} Maximum peak negative gate voltage	10		
V _{GT} Maximum gate voltage required to trigger	3 2 1	V	T _J = -40°C T _J = 25°C T _J = 125°C Anode Supply = 6V resistive load
I _{GD} Maximum gate current required to trigger	90 60 35	mA	T _J = -40°C T _J = 25°C T _J = 125°C Anode Supply = 6V resistive load
V _{GD} Maximum gate voltage that will not trigger	0.2	V	T _J = 125°C, rated V _{DRM} applied
I _{GD} Maximum gate current that will not trigger	2	mA	T _J = 125°C, rated V _{DRM} applied

Thermal and Mechanical Specification

Parameter	P100	Units	Conditions
T _J Max. operating temperature range	-40 to 125	°C	
T _{stg} Max. storage temperature range	-40 to 125		
R _{thJC} Max. thermal resistance, junction to case	2.24	K/W	DC operation per junction
R _{thCS} Max. thermal resistance, case to heatsink	0.10	K/W	Mounting surface, smooth and greased
T Mounting torque, base to heatsink	4	Nm	A mounting compound is recommended and the torque should be checked after a period of 3 hours to allow for the spread of the compound
wt Approximate weight	58 (2.0)	g (oz)	

P100 Series

Bulletin I27125 rev. A 04/99

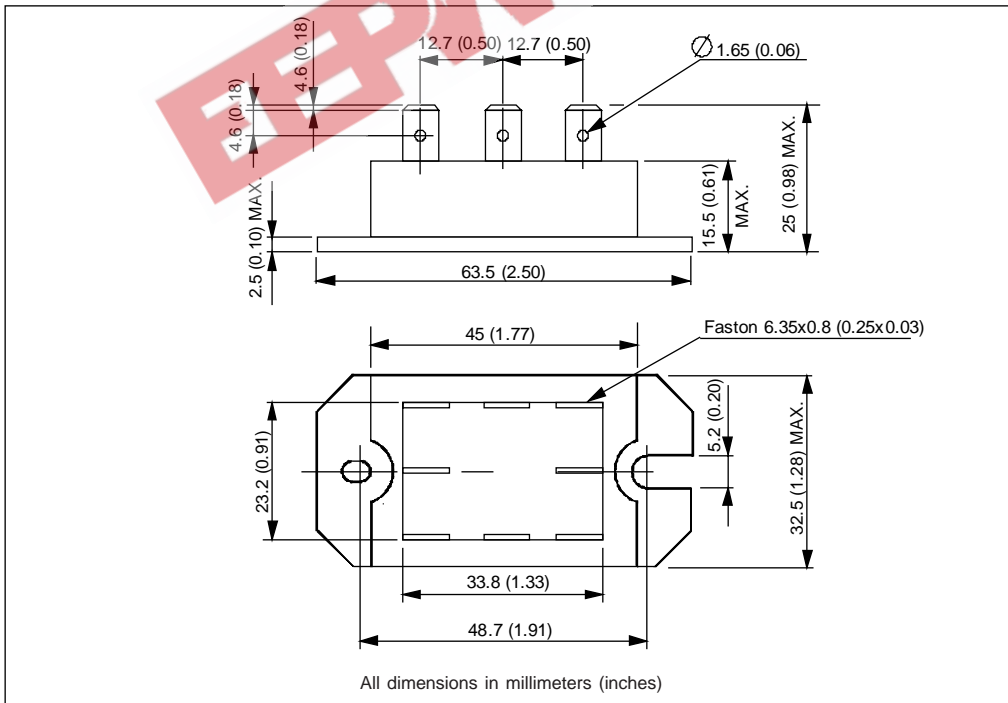
International
IRF Rectifier

Circuit Type and Coding *

	Circuit"0"	Circuit"2"	Circuit"3"
Terminal Positions			
Schematic diagram			
	SinglePhase HybridBridge CommonCathode	SinglePhase HybridBridge Doubler	SinglePhase AllSCR Bridge
Basic series	P10.	P12.	P13.
With voltage suppression	P10.K	P12.K	P13.K
With free-wheeling diode	P10.W	-	-
With both voltage suppression and free-wheeling diode	P10.KW	-	-

* To complete code refer to voltage ratings table, i.e.: for 600V P10.W complete code is P102W

Outline Table



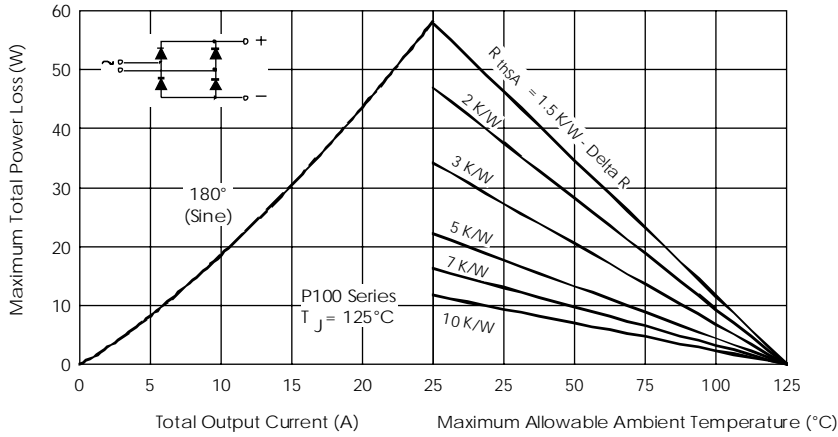


Fig. 1 - Current Ratings Nomogram (1 Module Per Heatsink)

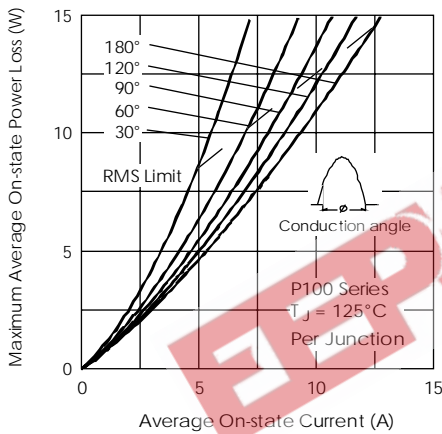


Fig. 2 - On-state Power Loss Characteristics

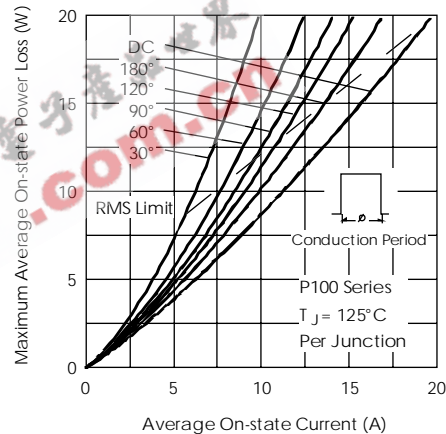


Fig. 3 - On-state Power Loss Characteristics

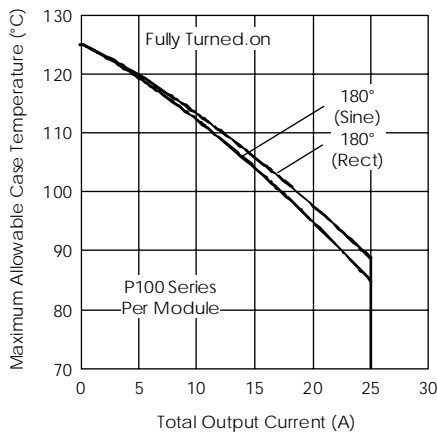


Fig. 4 - Current Ratings Characteristics

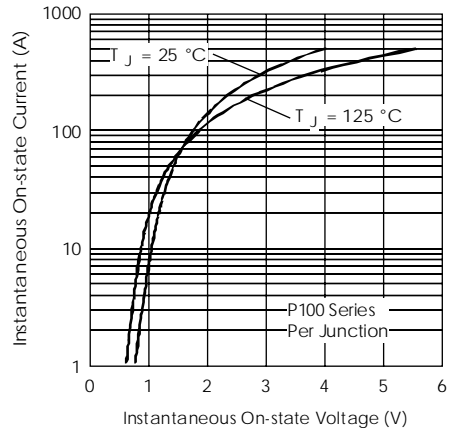


Fig. 5 - On-state Voltage Drop Characteristics

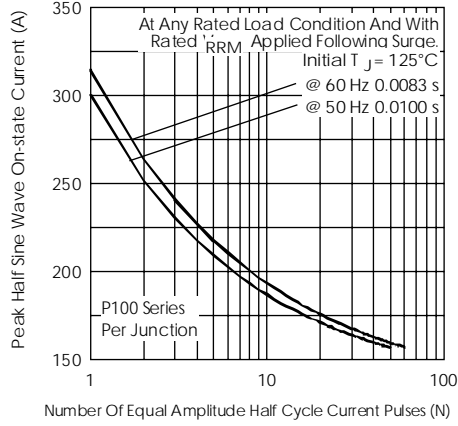


Fig. 6 - Maximum Non-Repetitive Surge Current

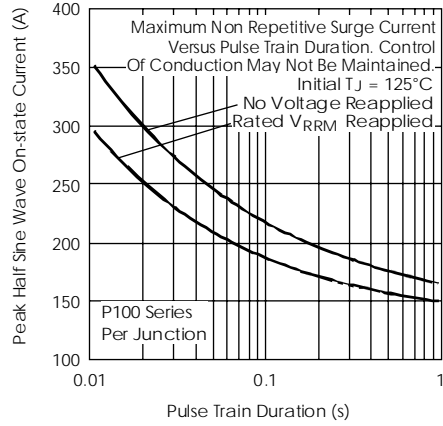


Fig. 7 - Maximum Non-Repetitive Surge Current

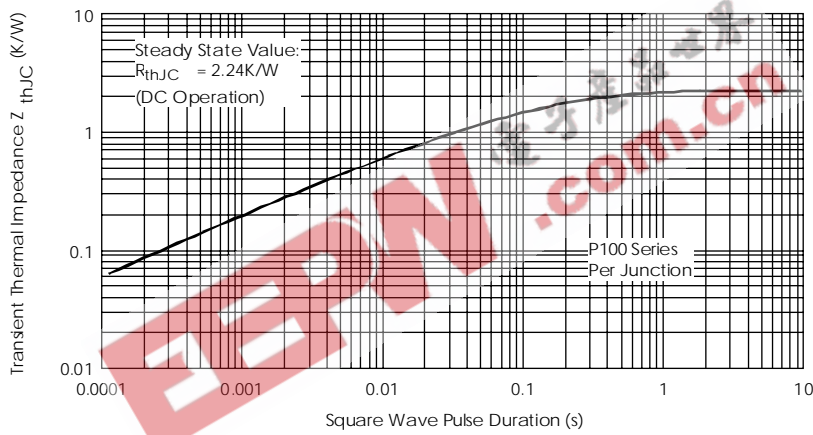


Fig. 8 - Thermal Impedance Z_{thJC} Characteristics



Fig. 9 - Gate Characteristics

EEPW 电子产品世界
.com.cn

International
IR Rectifier

WORLD HEADQUARTERS: 233 Kansas St., El Segundo, California 90245 U.S.A. Tel: (310) 322 3331. Fax: (310) 322 3332.
EUROPEAN HEADQUARTERS: Hurst Green, Oxted, Surrey RH8 9BB, U.K. Tel: ++ 44 1883 732020. Fax: ++ 44 1883 733408.
IR CANADA: 15 Lincoln Court, Brampton, Markham, Ontario L6T3Z2. Tel: (905) 453 2200. Fax: (905) 475 8801.
IR GERMANY: Saalburgstrasse 157, 61350 Bad Homburg. Tel: ++ 49 6172 96590. Fax: ++ 49 6172 965933.
IR ITALY: Via Liguria 49, 10071 Borgaro, Torino. Tel: ++ 39 11 4510111. Fax: ++ 39 11 4510220.
IR FAR EAST: K&H Bldg., 2F, 30-4 Nishi-Ikebukuro 3-Chome, Toshima-Ku, Tokyo, Japan 171. Tel: 81 3 3983 0086.
IR SOUTHEAST ASIA: 1 Kim Seng Promenade, Great World City West Tower, 13-11, Singapore 237994. Tel: ++ 65 838 4630.
IR TAIWAN: 16 Fl. Suite D.207, Sec. 2, Tun Haw South Road, Taipei, 10673, Taiwan. Tel: 886 2 2377 9936.

<http://www.irf.com>

Fax-On-Demand: +44 1883 733420

Data and specifications subject to change without notice.