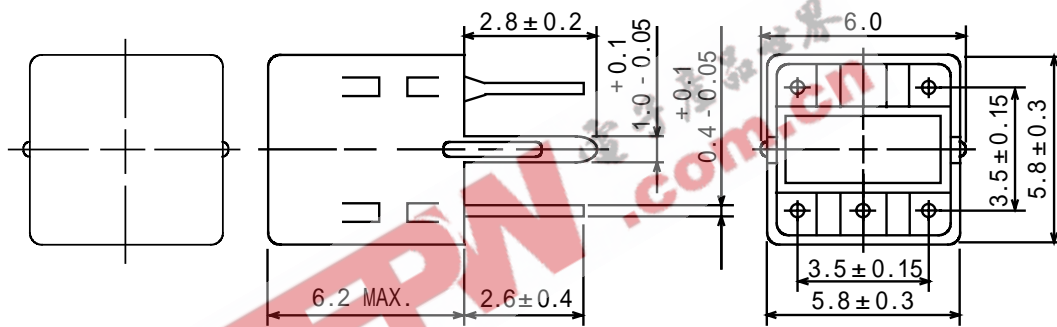


**Type: P-5LM**
**Product Description**

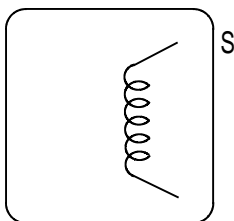
- 6.1 × 6.1mm Max.(L × W), 6.2mm Max. Height.
- Inductance:1~680 μ H.
- Operating frequency:20MHz Max.
- In addition to the reference versions of parameters shown here, custom designs are available to meet your exact requirements.

**Feature**

- Shielded fixed type.
- RoHS Compliance

**Dimensions (mm)**


- \* Dimension does not include solder used on coil.
- \* Pin pitch shall be measured at the root of terminal.
- \* Dimension without tolerance are approx.

**Connection (Bottom View)**


“S” is winding start

**Specification (Part No. N351L066-2)**

Item	(4-6)	Measuring Condition
Inductance	4.7 μ H±10% Within	7.96MHz
Unloaded Qu	50 Min	7.96MHz