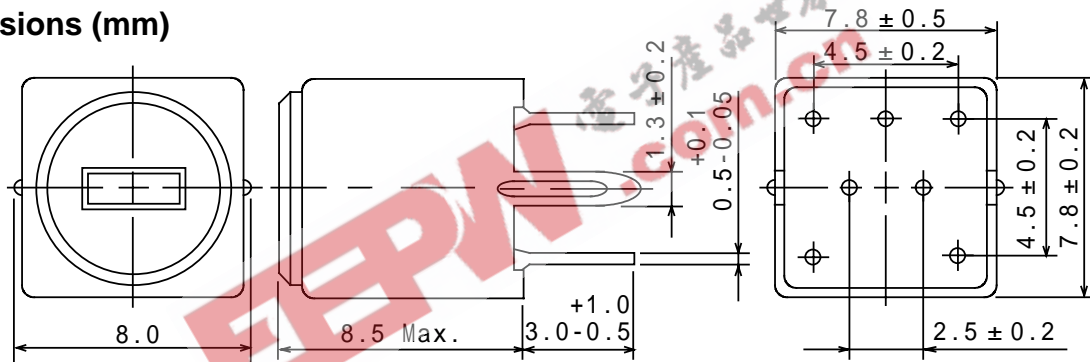


Type: P-7LFJ
Product Description

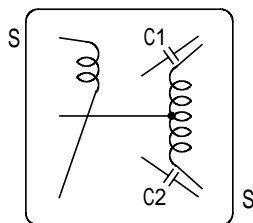
- 8.3 × 8.0mm Max.(L × W), 8.5mm Max. Height.
- Inductance:1~680μH Max.
- Operating frequency:20MHz Max.
- In addition to the reference versions of parameters shown here, custom designs are available to meet your exact requirements


Feature

- Variable shielded type.
- 2 internally assembled chip condensers are available.
- Ideally used in Radio,TV Transceiver
- RoHS Compliance

Dimensions (mm)


- * Dimension does not include solder used on coil.
- * Pin pitch shall be measured at the root of terminal.
- * Dimension without tolerance are approx.

Connection (Bottom View)


"S" is winding stat

Specification (Part No. 2136-023-NP)

Item	Specification	Measuring conditions
Frequency (4-6)	10.7MHz±2% Variable	
Unloaded Qu (4-6)	45 Min.	10.7MHz
Int. condensers (4-8),(6-7)	100pF±10% Within	
Ext. stray capacity 3pF between (4-6) at measuring.		