

SERIES RTX-231 AND RTV-231

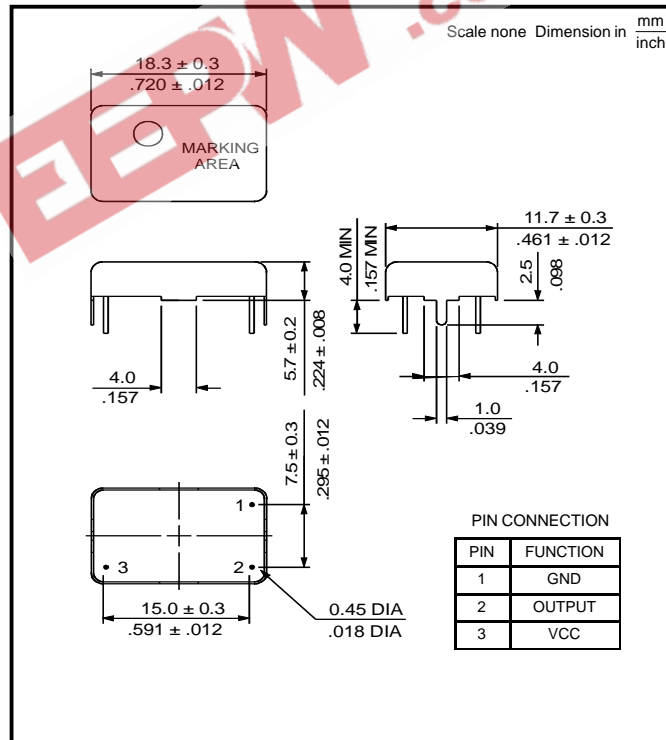
- FEATURES
 - LOW PROFILE PACKAGE
 - TOLERANCE AND STABILITY TO ± 2.5 PPM
 - LOW COST
- SPECIFICATIONS

| | | |
|---|-----------|--|
| SERIES | | RTX-231 AND RTV-231 |
| FREQUENCY RANGE | | 9.60 MHz TO 45.00 MHz |
| FREQUENCY STABILITY OVER TEMPERATURE RANGE† | | ± 2.5 PPM |
| OPERATING TEMPERATURE RANGE | | -30°C TO +75°C |
| EXTENDED TEMPERATURE RANGE | | -40°C TO +85°C |
| FREQUENCY STABILITY VS. SUPPLY VOLTAGE | | 0.3 PPM AT +5V $\pm 5\%$ |
| INPUT | VOLTAGE† | +5V $\pm 5\%$ |
| | CURRENT | 2.0 mA MAX |
| OUTPUT | WAVEFORM† | CLIPPED SINEWAVE OR CMOS/TTL |
| | LOAD | 10 K OHM / 10pF OR 2 TTL/15 pF |
| | VOLTAGE | 1Vp-p MIN |
| AGING | | ± 1 PPM PER YEAR MAX |
| FREQUENCY ADJUSTMENT | | ± 3 PPM MIN |
| FREQUENCY DEVIATION | | ± 8 PPM TO ± 15 PPM (+2.5 VDC ± 2.0 V) |
| OPERABLE TEMPERATURE RANGE | | -40°C TO +85°C |



† OTHER STABILITIES OVER TEMPERATURE, +3.0 V SUPPLY AND OUTPUT WAVEFORMS ARE AVAILABLE

● OUTLINE DRAWING



● PART NUMBERING SYSTEM

| TYPE | REVISION | SERIES | FREQUENCY STABILITY | TEMPERATURE RANGE | VOLTAGE | FREQUENCY CONTROL (RTV ONLY) | TRIMMER | WAVEFORM | FREQUENCY |
|------------|----------|--------|---------------------|---|-----------------------|--|---------|--------------------------------|-----------|
| RTX RTV | TBD* | 231 | E: ± 2.5 PPM | F1: -30°C TO 75°C D3: -30°C TO 75°C (EXTENDED) | 5: +5.0 VDC $\pm 5\%$ | X: ± 8 PPM TO ± 15 PPM (+2.5 V ± 2 V) | T | S: CLIPPED SINE C: CMOS/TTL | IN MHz |

EXAMPLE: RTX*-231EF15-TS-10.000