

HIGH EFFICIENCY RECTIFIER

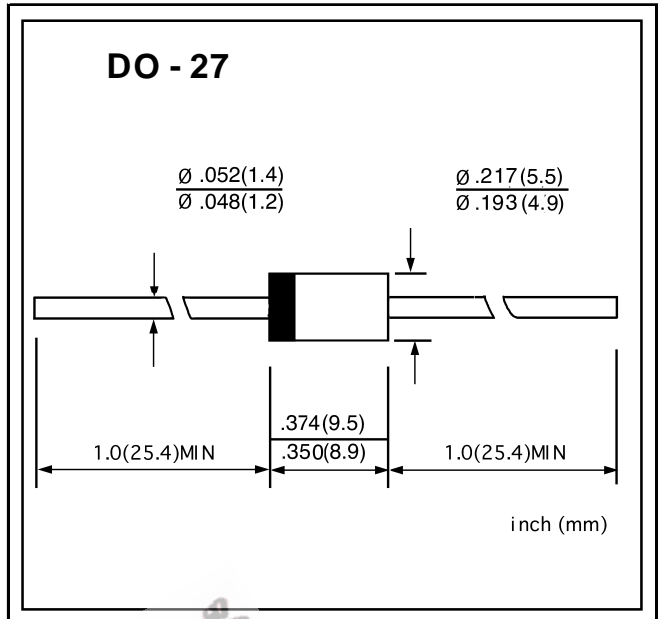
VOLTAGE RANGE: 1300 V
CURRENT: 1.5,2.5 A

FEATURES

- ◇ Low cost
- ◇ Diffused junction
- ◇ Low leakage
- ◇ Low forward voltage drop
- ◇ High current capability
- ◇ Easily cleaned with freon, alcohol, Isopropand and similar solvents
- ◇ The plastic material carries U/L recognition 94V-0

MECHANICAL DATA

- ◇ Case: JEDEC DO-27, molded plastic
- ◇ Terminals: Axial leads, solderable per MIL-STD-202, Method 208
- ◇ Polarity: Color band denotes cathode
- ◇ Weight: 0.041 ounces, 1.15 grams
- ◇ Mounting: Any



MAXIMUM RATINGS AND ELECTRICAL CHARACTERISTICS

Ratings at 25°C ambient temperature unless otherwise specified.
Single phase, half wave, 60 Hz, resistive or inductive load. For capacitive load, derate by 20%.

		RU4D	RU4DS	UNITS
Maximum peak repetitive reverse voltage	V_{RRM}	1300		V
Maximum RMS voltage	V_{RMS}	910		V
Maximum DC blocking voltage	V_{DC}	1300		V
Maximum average forward rectified current 9.5mm lead length, @ $T_A=75^\circ\text{C}$	$I_{F(AV)}$	1.5	2.5	A
Peak forward surge current 10ms single half-sine-wave superimposed on rated load @ $T_J=125^\circ\text{C}$	I_{FSM}	50.0		A
Maximum instantaneous forward voltage @ $I_F=I_{F(AV)}$	V_F	1.8		V
Maximum reverse current @ $T_A=25^\circ\text{C}$ at rated DC blocking voltage @ $T_A=100^\circ\text{C}$	I_R	50.0	500.0	μA
Maximum reverse recovery time (Note1)	t_{rr}	100.0		ns
Typical junction capacitance (Note2)	C_J	50		pF
Typical thermal resistance (Note3)	$R_{\theta JL}$	8		$^\circ\text{C}/\text{W}$
Operating junction temperature range	T_J	- 55 ----- + 150		$^\circ\text{C}$
Storage temperature range	T_{STG}	- 55 ----- + 150		$^\circ\text{C}$

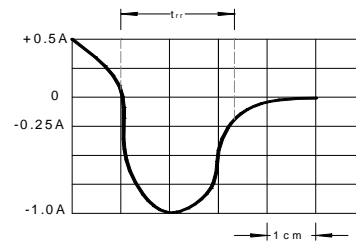
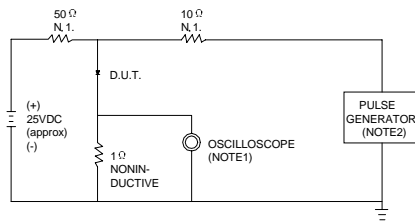
NOTE: 1. Measured with $I_F=0.5\text{A}$, $I_R=1\text{A}$, $I_{rr}=0.25\text{A}$.

www.galaxycn.com

2. Measured at 1.0MHz and applied reverse voltage of 4.0V DC.

3. Thermal resistance junction to lead.

FIG.1 – TEST CIRCUIT DIAGRAM AND REVERSE RECOVERY TIME CHARACTERISTIC



NOTES: 1. RISE TIME = 7ns MAX. INPUT IMPEDANCE = 1MΩ . 22pF.
 2. RISE TIME = 10ns MAX. SOURCE IMPEDANCE = 50 Ω.

SET TIME BASE FOR 10/20 ns/cm

FIG.2 – TYPICAL FORWARD CHARACTERISTIC

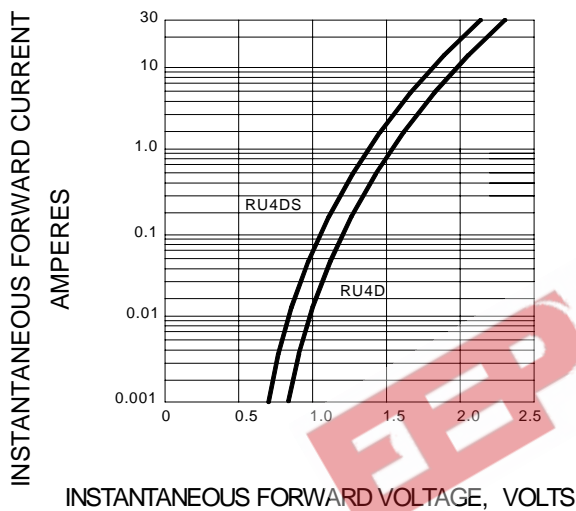


FIG.3 – FORWARD DERATING CURVE

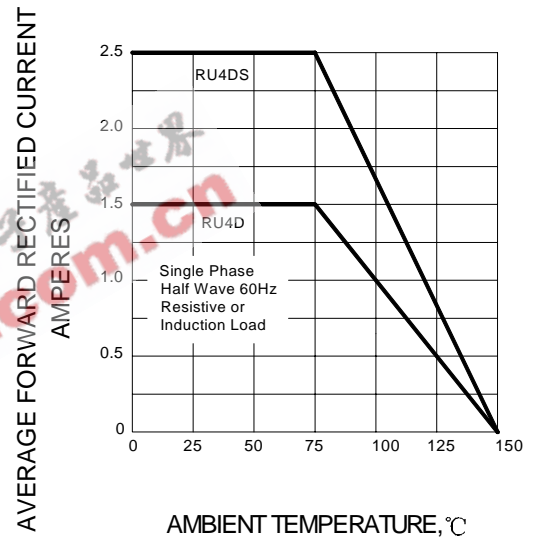


FIG.4 – PEAK FORWARD SURGE CURRENT

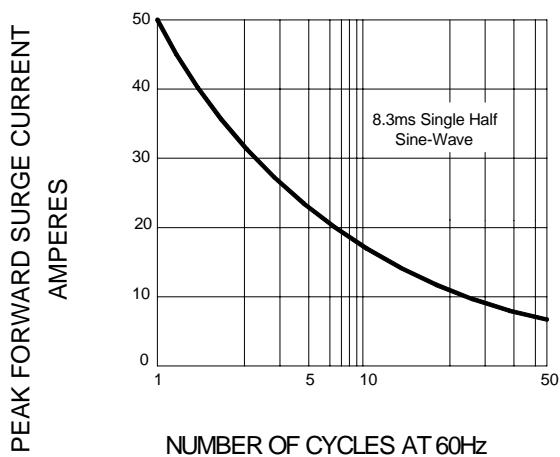


FIG.5 – TYPICAL JUNCTION CAPACITANCE

