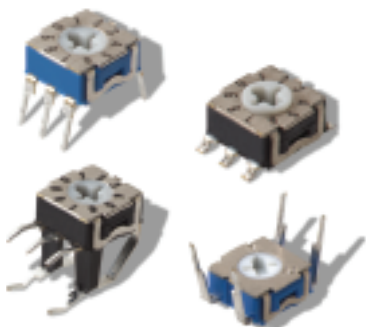


C&K RTE Series Low Profile Rotary DIP Switches

DIP



Features/Benefits

- Thru-hole and surface mount models
- Miniature size with robust stainless steel cover
- Rotary SPDT, SP3T, SP4T functions
- Rotary binary-decimal and hexadecimal coding
- RoHS compliant - options available

Typical Applications

- Timers, automation components
- Computer and peripherals
- Alarms, access control
- Instrumentation

Specifications

CONTACT RATING:
Gold: 100 mA max. 10 μ A min. 30 V DC max. 20 mVDC min.
Silver: 100 mA max. 1 mA min. 50 V DC max. 2 VDC min.

MECHANICAL LIFE: RTE02/03: 1,500 actuations; RTE04/10/16: 20,000 actuations

CONTACT RESISTANCE: 100 m Ω max. initial;
150 m Ω after life

INSULATION RESISTANCE: RTE02/03: 10¹³ Ω min.
RTE04/10/16: 10¹⁰ Ω min. initial

DIELECTRIC STRENGTH: RTE 02/03: 500 Vrms;
RTE 10/16; 300 Vrms

OPERATING TEMPERATURE: -25°C to 85°C.
STORAGE TEMPERATURE: -40°C to 85°C.

PACKAGING: N or R terminations in tube.
V termination in box. G termination in reel, 750 pieces per reel. G termination with flush actuator, 1250 pieces per reel.

Materials

COVER & BASE: Thermoplastic PPS
ACTUATOR: PA Thermoplastic
KNOB: Thermoplastic
MOVABLE CONTACTS: Brass, gold or silver plated.
STATIONARY CONTACTS: Brass, gold or silver plated.
TERMINALS: See page I-24
O-RING: Silicone

NOTE: For the latest information regarding RoHS compliance, please go to: www.ittcannon.com/rohs.

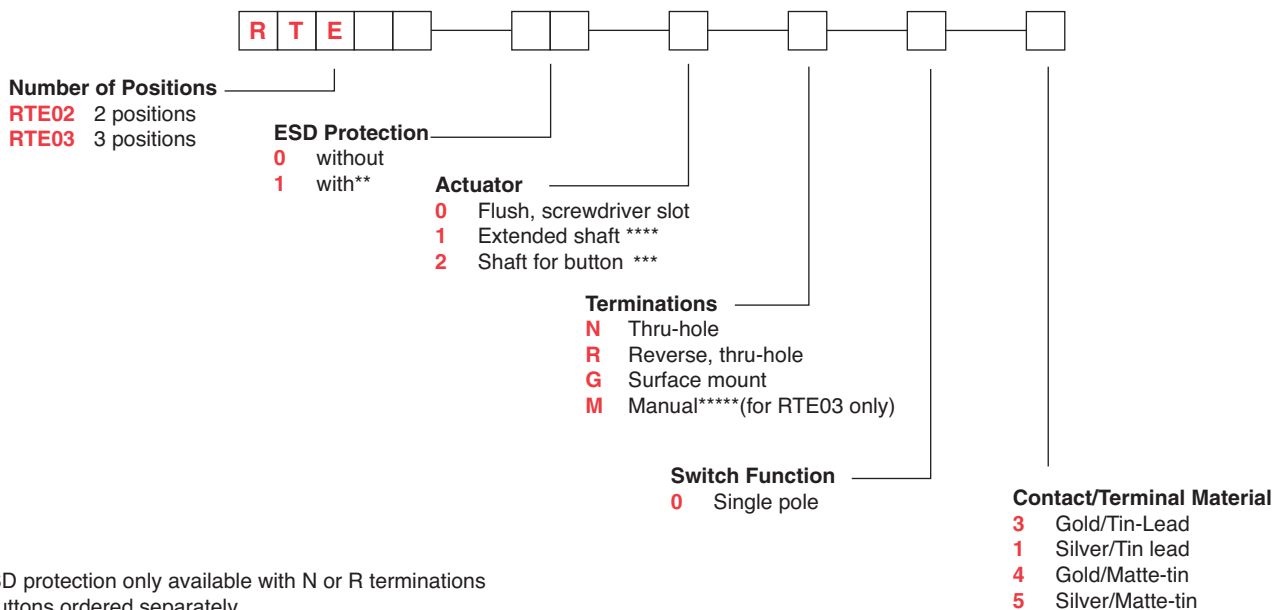
Note: Specifications and materials listed above are for switches with standard options. For information on specific and custom switches, consult Customer Service Center.

Solderability: Wave soldering 260°/2s.

SMT are reflow compatible according to CECC 00802-NORM.

How To Order

Our easy Build-A Switch concept allows you to mix and match options to create the switch you need. Below is a complete listing of options shown in catalog. To order, simply select desired option from each category and place in the appropriate box.



** ESD protection only available with N or R terminations

*** Buttons ordered separately

**** Not available in surface mount.

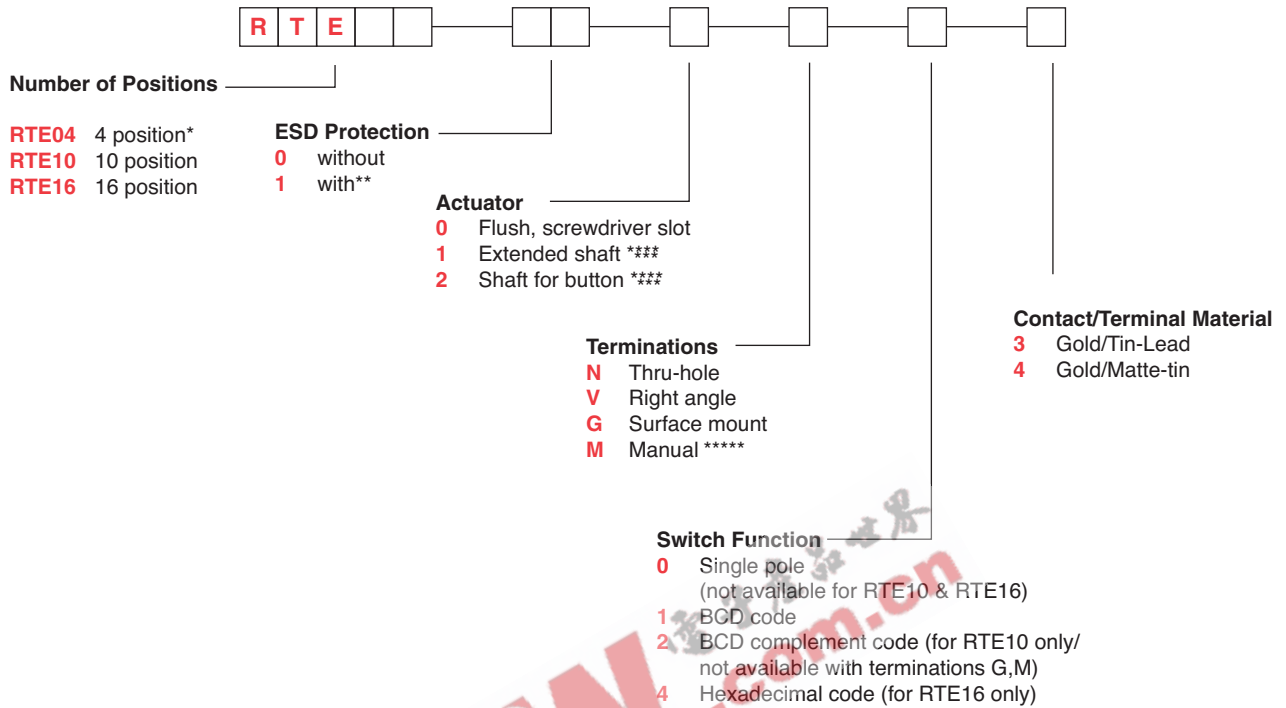
***** Only possible in combination with actuator option "2"



C&K RTE Series Low Profile Rotary DIP Switches

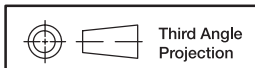


DIP



* RTE04 version only available with screw driver slot acuator "0"
 ** ESD protection only available with N termination
 *** Buttons ordered separately
 **** Not available in surface mount
 ***** Available with RTE 10, and RTE 16, with actuator option 2 only

Please note Gray code option available, consult ITT customer service for options and availability.



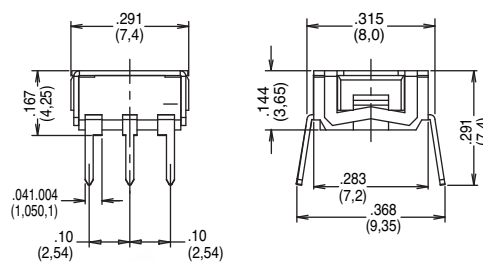
Dimensions are shown: Inch (mm)
 Specifications and dimensions subject to change

C&K RTE Series Low Profile Rotary DIP Switches

SWITCHES WITH STANDARD OPTIONS

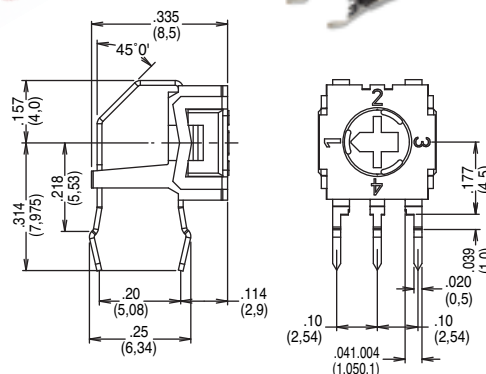
PC Mount

| PART NUMBER WITHOUT ESD PIN | WITH ESD PIN | NO. POS. | FUNCTION | QTY PER TUBE |
|-----------------------------|-------------------|----------|-------------|--------------|
| RTE0200N03 | RTE0210N03 | 2 | SPDT | 65 |
| RTE0300N03 | RTE0310N03 | 3 | SP3T | 65 |
| RTE0400N03 | RTE0400N03 | 4 | SP4T | 65 |
| RTE1000N13 | RTE1010N13 | 10 | BCD | 65 |
| RTE1600N43 | RTE1610N43 | 10 | HEXADECIMAL | 65 |



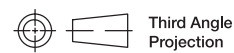
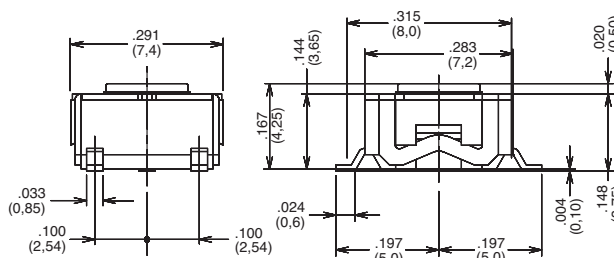
Right Angle Mount

| PART NUMBER | NO. POS. | FUNCTION | QUANTITY |
|-------------------|----------|-------------|-------------|
| RTE0400V03 | 4 | SP4T | 150 per box |
| RTE1000V13 | 10 | BCD | 150 per box |
| RTE1600V43 | 16 | HEXADECIMAL | 150 per box |



Surface Mount

| PART NUMBER | NO. POS. | FUNCTION | QUANTITY PER REEL |
|-------------------|----------|-------------|-------------------|
| RTE0200G03 | 02 | SPDT | 1250 |
| RTE0300G03 | 03 | SPDT | 1250 |
| RTE0400G03 | 04 | SP4T | 1250 |
| RTE1000G13 | 10 | BCD | 1250 |
| RTE1600G43 | 16 | HEXADECIMAL | 1250 |

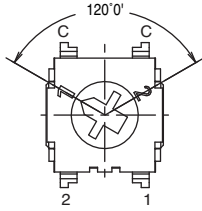


Dimensions are shown: Inch (mm)
Specifications and dimensions subject to change

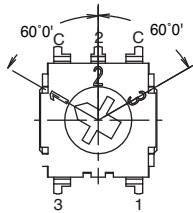
C&K RTE Series Low Profile Rotary DIP Switches

NUMBER OF POSITIONS

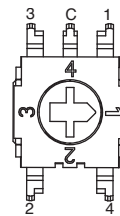
RTE02* 2 POSITION



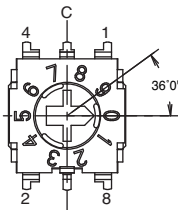
RTE03* 3 POSITION



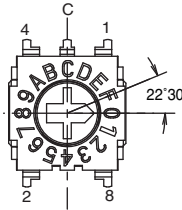
RTE04 4 POSITION



RTE10 10 POSITION

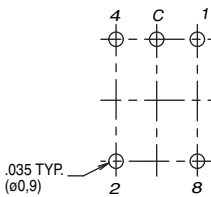
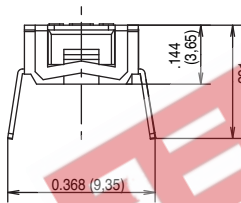
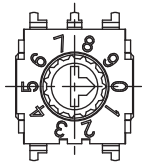


RTE16 16 POSITION

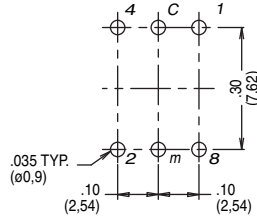
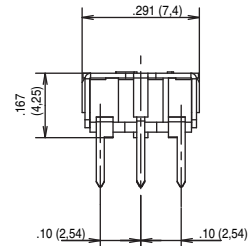
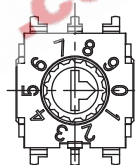


ESD PROTECTION

0 WITHOUT

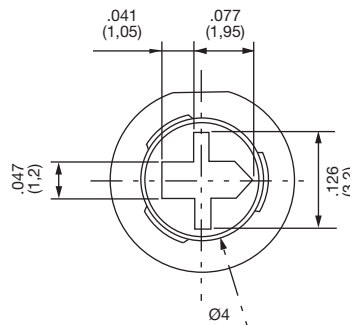


1 WITH

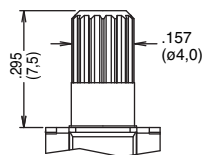


ACTUATOR

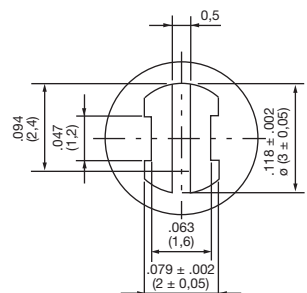
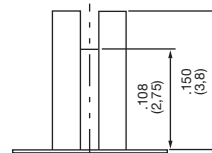
0 FLUSH, SCREWDRIVER SLOT



1 EXTENDED SHAFT
(not available in surface mount)



2 SHAFT FOR BUTTON

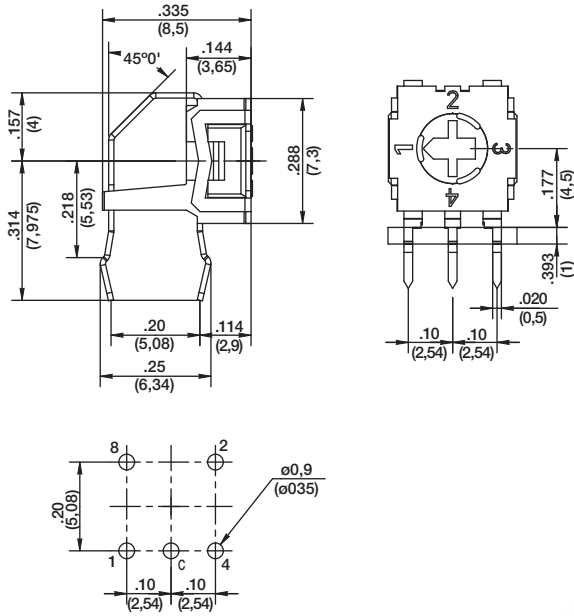


Dimensions are shown: Inch (mm)
Specifications and dimensions subject to change

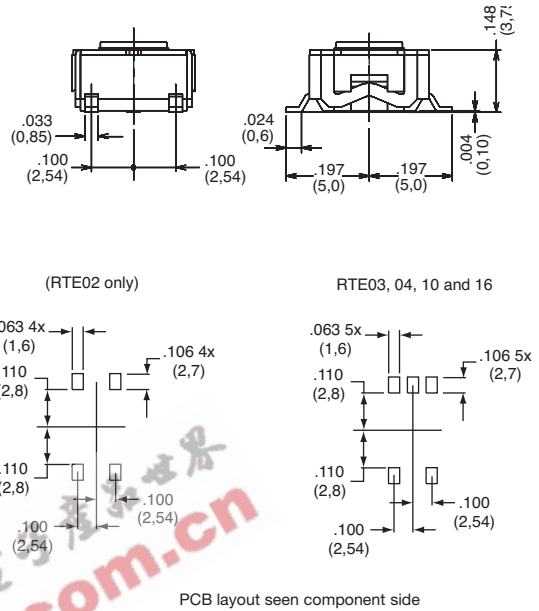
C&K RTE Series Low Profile Rotary DIP Switches

TERMINATIONS

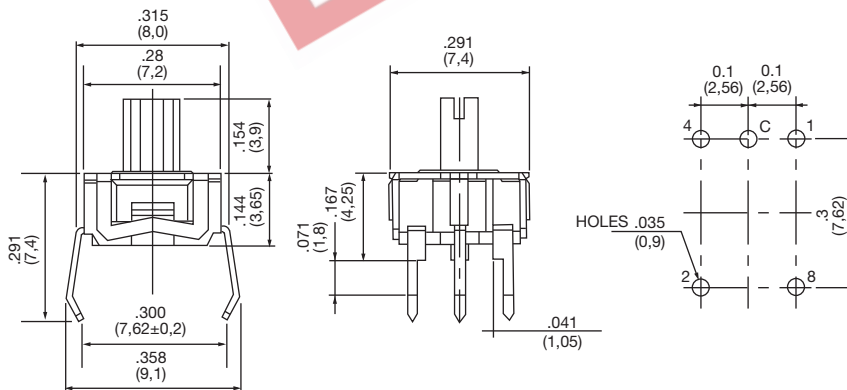
V RIGHT ANGLE, THRU-HOLE



G SURFACE MOUNT



M OPTION



Dimensions are shown: Inch (mm)
Specifications and dimensions subject to change

C&K RTE Series Low Profile Rotary DIP Switches

SWITCH FUNCTION

0 SINGLE POLE

| POS. | 1 | 2 | 3 | 4 |
|------|---|---|---|---|
| C | ● | ● | ● | ● |
| 1 | ● | | | |
| 2 | | ● | | |
| 3 | | | ● | |
| 4 | | | | ● |

1 BCD CODE

| POS. | 0 | 1 | 2 | 3 | 4 | 5 | 6 | 7 | 8 | 9 |
|------|---|---|---|---|---|---|---|---|---|---|
| C | ● | ● | ● | ● | ● | ● | ● | ● | ● | ● |
| 1 | | ● | | ● | | ● | | ● | | ● |
| 2 | | | ● | ● | | | ● | ● | | |
| 4 | | | | | ● | ● | | ● | ● | |
| 8 | | | | | | | | | ● | ● |

2 BCD COMPLEMENT CODE

| POS. | 0 | 1 | 2 | 3 | 4 | 5 | 6 | 7 | 8 | 9 |
|------|---|---|---|---|---|---|---|---|---|---|
| C | ● | ● | ● | ● | ● | ● | ● | ● | ● | ● |
| 1 | ● | | | ● | | ● | | ● | | ● |
| 2 | | ● | | | | | ● | | ● | |
| 4 | ● | ● | ● | ● | | | | | ● | ● |
| 8 | ● | ● | ● | ● | ● | ● | ● | ● | | |

Other codes available by request.

4 HEXADECIMAL CODE

| POS. | 0 | 1 | 2 | 3 | 4 | 5 | 6 | 7 | 8 | 9 | 10 | 11 | 12 | 13 | 14 | 15 |
|------|---|---|---|---|---|---|---|---|---|---|----|----|----|----|----|----|
| C | ● | ● | ● | ● | ● | ● | ● | ● | ● | ● | ● | ● | ● | ● | ● | ● |
| 1 | | ● | | ● | | ● | | ● | | ● | | ● | | ● | | ● |
| 2 | | | ● | ● | | | ● | ● | | | ● | ● | | | ● | ● |
| 4 | | | | | ● | ● | | ● | ● | | | | ● | ● | | |
| 8 | | | | | | | | | ● | ● | ● | ● | ● | ● | ● | ● |

CONTACT MATERIAL

| OPTION CODE | RoHS COMPLIANT * | RoHS COMPATIBLE * | CONTACT MATERIAL | TERMINAL PLATING | RATINGS | | |
|-------------|------------------|-------------------|------------------|------------------|-------------|------------|--------------|
| 3 | NO | ** | GOLD | TIN LEAD | 100 mA max. | 10μ A min. | 30 V DC max. |
| 1 | NO | ** | SILVER | TIN LEAD | 100 mA max. | 1 mA min. | 50 V DC max. |
| *4 | YES | ** | GOLD | MATTE TIN | 100 mA max. | 10μ A min. | 30 V DC max. |
| *5 | YES | ** | SILVER | MATTE TIN | 100 mA max. | 1 mA min. | 50 V DC max. |

* Note: See Technical Data section of this catalog for RoHS compliant and compatible definitions and specifications.

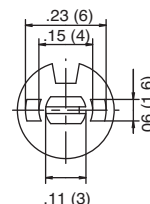
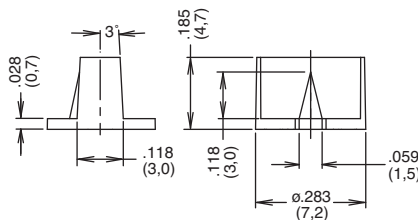
** When selecting contact material option 4 and 5 with RTE02, RTE03 and or "V" terminations, these combinations are RoHS compliant but not compatible (i.e. they do not sustain the high temperatures of the leadfree soldering process). All other options and terminations are RoHS compatible. (Compliant with 4 and 5 contact material only).

BUTTONS AVAILABLE

Buttons are ordered separately, shipped in bulk.

Part Number Color

| | |
|-------------------|-------|
| BTN RTE 40 | Red |
| BTN RTE 50 | Green |
| BTN RTE 90 | Black |



 Third Angle Projection

Dimensions are shown: Inch (mm)
Specifications and dimensions subject to change

