

HIGH EFFICIENCY RECTIFIERS

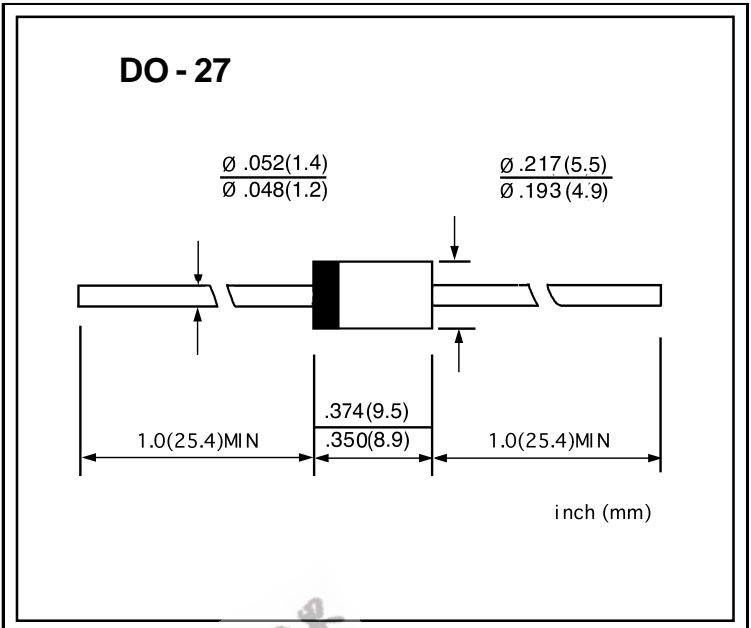
VOLTAGE RANGE: 100 --- 1000 V
CURRENT: 2.5 -- 4.0 A

FEATURES

- ◇ Low cost
- ◇ Diffused junction
- ◇ Low leakage
- ◇ Low forward voltage drop
- ◇ High current capability
- ◇ Easily cleaned with Alcohol, Isopropanol and similar solvents
- ◇ The plastic material carries U/L recognition 94V-0

MECHANICAL DATA

- ◇ Case: JEDEC DO-27, molded plastic
- ◇ Terminals: Axial lead, solderable per MIL-STD-202, Method 208
- ◇ Polarity: Color band denotes cathode
- ◇ Weight: 0.041 ounces, 1.15 grams
- ◇ Mounting position: Any



MAXIMUM RATINGS AND ELECTRICAL CHARACTERISTICS

Ratings at 25°C ambient temperature unless otherwise specified.
Single phase, half wave, 60 Hz, resistive or inductive load. For capacitive load, derate by 20%.

		RU4Y	RU4Z	RU4	RU4A	RU4B	RU4C	RU4YX	UNITS
Maximum recurrent peak reverse voltage	V_{RRM}	100	200	400	600	800	1000	100	V
Maximum RMS voltage	V_{RMS}	70	140	280	420	560	700	70	V
Maximum DC blocking voltage	V_{DC}	100	200	400	600	800	1000	100	V
Maximum average forward rectified current 9.5mm lead length, @ $T_A=75^\circ C$	$I_{F(AV)}$	3.5		3.0			2.5	4.0	A
Peak forward surge current 8.3ms single half-sine-wave superimposed on rated load @ $T_J=125^\circ C$	I_{FSM}	70.0		50.0				100.0	A
Maximum instantaneous forward voltage @ $I_F=I_{F(AV)}$	V_F	1.3		1.5		1.6		0.85 ⁴⁾	V
Maximum reverse current @ $T_A=25^\circ C$ at rated DC blocking voltage @ $T_A=100^\circ C$	I_R	10.0					50.0	10.0	μA
		300.0			500.0			300.0	
Maximum reverse recovery time (Note1)	t_{rr}	100						50	ns
Typical junction capacitance (Note2)	C_J	70			50				pF
Typical thermal resistance (Note3)	$R_{\theta JL}$	8							$^\circ C/W$
Operating junction temperature range	T_J	- 55 ----- + 150							$^\circ C$
Storage temperature range	T_{STG}	- 55 ----- + 150							$^\circ C$

NOTE: 1. Measured with $I_F=0.5A$, $I_R=1A$, $I_{rr}=0.25A$.

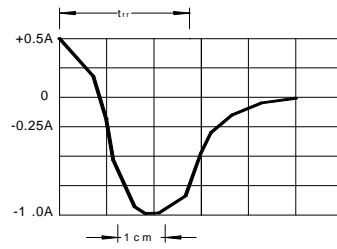
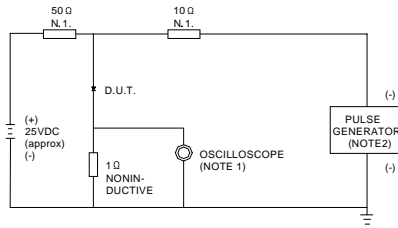
2. Measured at 1.0MHz and applied reverse voltage of 4.0V DC.

3. Thermal resistance from junction to ambient.

4. $I_{F(AV)}=2.0A$

www.galaxycn.com

FIG.1 – TEST CIRCUIT DIAGRAM AND REVERSE RECOVERY TIME CHARACTERISTIC



NOTES:1. RISE TIME = 7ns MAX.INPUT IMPEDANCE = 1MΩ, 22pF.
2. RISE TIME = 10ns MAX.SOURCE IMPEDANCE = 50 Ω.

SET TIME BASE FOR 10/20 ns/cm

FIG.2 – TYPICAL FORWARD CHARACTERISTIC

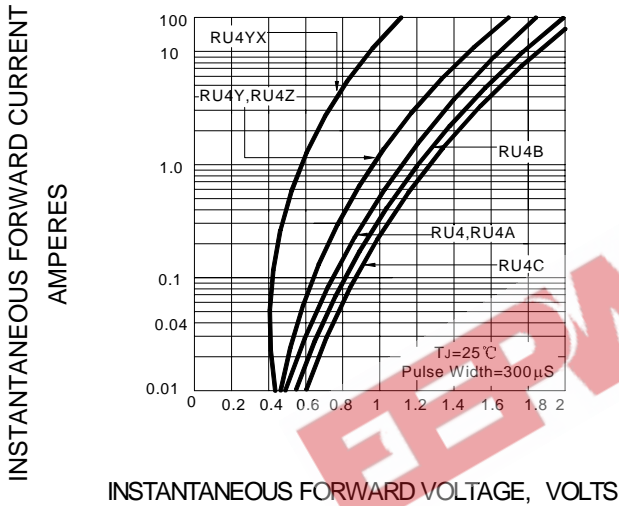


FIG.3 – FORWARD DERATING CURVE

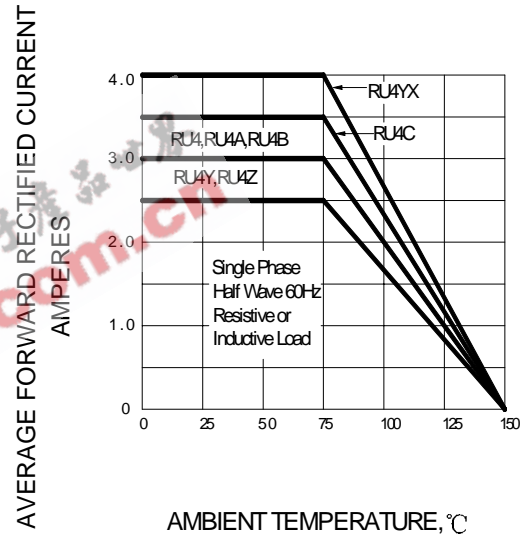


FIG.4 – PEAK FORWARD SURGE CURRENT

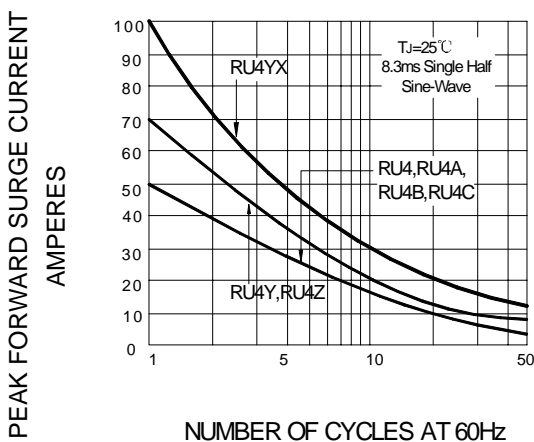


FIG.5 – TYPICAL JUNCTION CAPACITANCE

