



RXXLD10

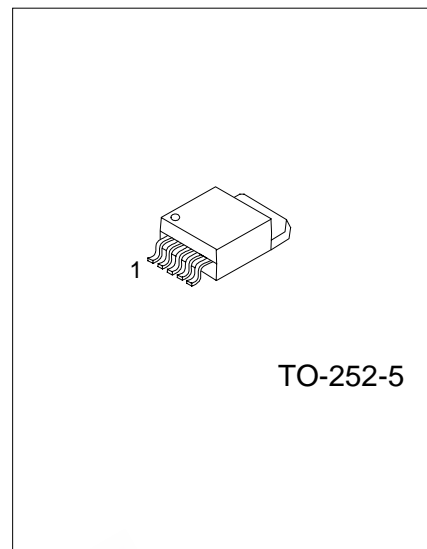
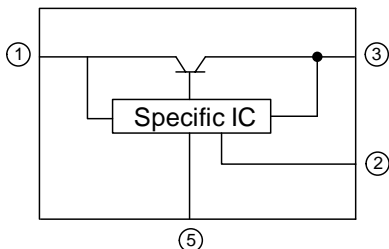
LINEAR INTEGRATED CIRCUIT

LOW VOLTAGE OPERATION LOW POWER-LOSS VOLTAGE REGULATORS

■ FEATURES

- * Low voltage operation (Minimum operating voltage: 2.35V) 2.5V input available 1.5 ~ 1.8V
- * Low dissipation current
- * Built-in overcurrent protection and over temperature protection functions

■ EQUIVALENT



*Pb-free plating product number: RXXLD10L

■ PIN DESCRIPTION

PIN NO.	PIN NAME
1	INPUT
2	ON/OFF
3	OUTPUT
4	NC
5	GND

■ ORDERING INFORMATION

Order Number		Package	Packing
Normal	Lead Free Plating		
RXXLD10-TN5-R	RXXLD10L-TN5-R	TO-252-5	Tape Reel

Note: xx: Output Voltage, refer to Marking Information.

■ MARKING INFORMATION

PACKAGE	VOLTAGE CODE	MARKING
TO-252-5	15:1.5V 18:1.8V 25:2.5V 03:3.0V 33:3.3V	

RXXLD10

LINEAR INTEGRATED CIRCUIT

■ ABSOLUTE MAXIMUM RATINGS (Ta = 25°C)

PARAMETER	SYMBOL	RATINGS	UNIT
Input Voltage	V _{IN}	10	V
ON/OFF Control Terminal Voltage (Note 2)	V _C	10	V
Output Current	I _{OUT}	1.0	A
Power Dissipation (with infinite heat sink)	P _D	8	W
Junction Temperature	T _J	125	°C
Operating Temperature	T _{OPR}	-20 ~ +85	°C
Storage Temperature	T _{STG}	-40 ~ +150	°C

Note 1. Absolute maximum ratings are those values beyond which the device could be permanently damaged.

Absolute maximum ratings are stress ratings only and functional device operation is not implied.

2: All are open except GND and applicable terminals.

3. The device is guaranteed to meet performance specification within 0°C~70°C operating temperature range and assured by design from -20°C~85°C.

■ ELECTRICAL CHARACTERISTICS

(V_{IN} = V_{O(TYP.)}+1V, I_{OUT} = 0.5A, V_C = 2.7V, Ta = 25°C, unless otherwise specified.)

PARAMETER	SYMBOL	TEST CONDITIONS	MIN	TYP	MAX	UNIT
Input Voltage	R15LD10	V _{IN}	2.35		10	V
	R18LD10		2.35		10	
	R25LD10		V _{OUT} +0.5		10	
	R03LD10		V _{OUT} +0.5		10	
	R33LD10		V _{OUT} +0.5		10	
Output Voltage	R15LD10	V _{OUT}	1.45	1.5	1.55	V
	R18LD10		1.75	1.8	1.85	
	R25LD10		2.438	2.5	2.562	
	R03LD10		2.925	3	3.075	
	R33LD10		3.218	3.3	3.382	
Voltage for Control (Note 1)	ON	V _{C(ON)}	2			V
	OFF	V _{C(OFF)}			0.8	V
Current for Control	ON	I _{C(ON)}			200	μA
	OFF	I _{C(OFF)}	V _C = 0.4V		2	μA
Quiescent Current	I _Q	I _{OUT} = 0A		1	2	mA
Output Off-state Dissipation Current	I _{QS}	I _{OUT} = 0A, V _C = 0.4V			5	μA
Load Regulation	ΔV _{OUT}	I _{OUT} = 5mA ~ 1A		0.2	2	%
Line Regulation	ΔV _{OUT}	V _{IN} = V _{O(TYP.)} +1V~V _{O(TYP.)} +6V I _{OUT} = 5mA		0.1	1	%
Dropout Voltage(Note 2)	V _D	I _{OUT} = 0.5A		0.2	0.5	V
Temperature Coefficient of Output Voltage	T _C V _O	T _J = 0 ~ 125°C, I _{OUT} = 5mA		±0.01		%/°C
Ripple Rejection	RR	Refer to Fig.2	45	60		dB

Note 1: In case of opening control terminal pin 2, output voltage turns off.

2: Input voltage shall be the value when output voltage is 95% in comparison with the initial value.

TEST CIRCUIT

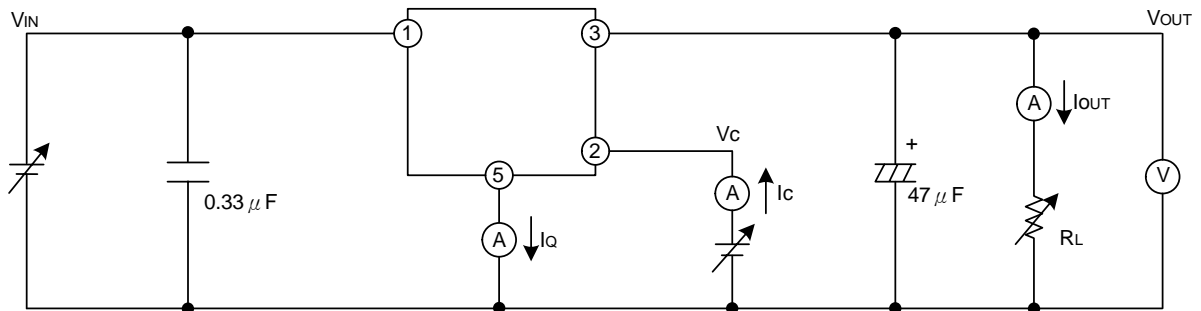
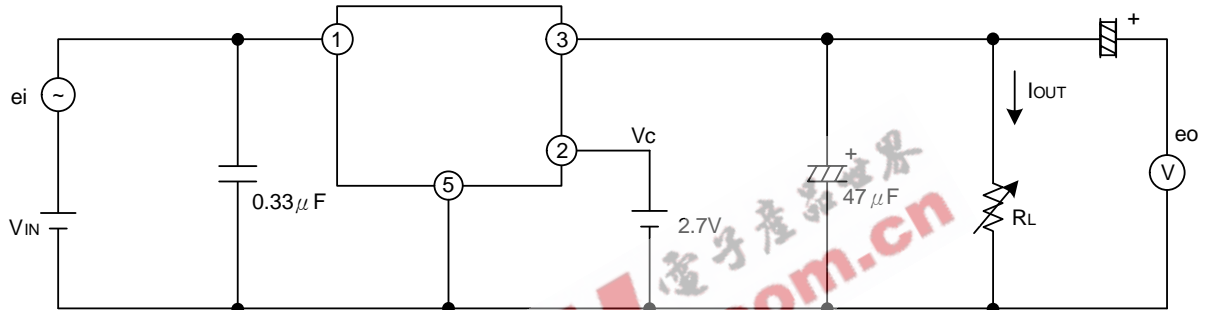


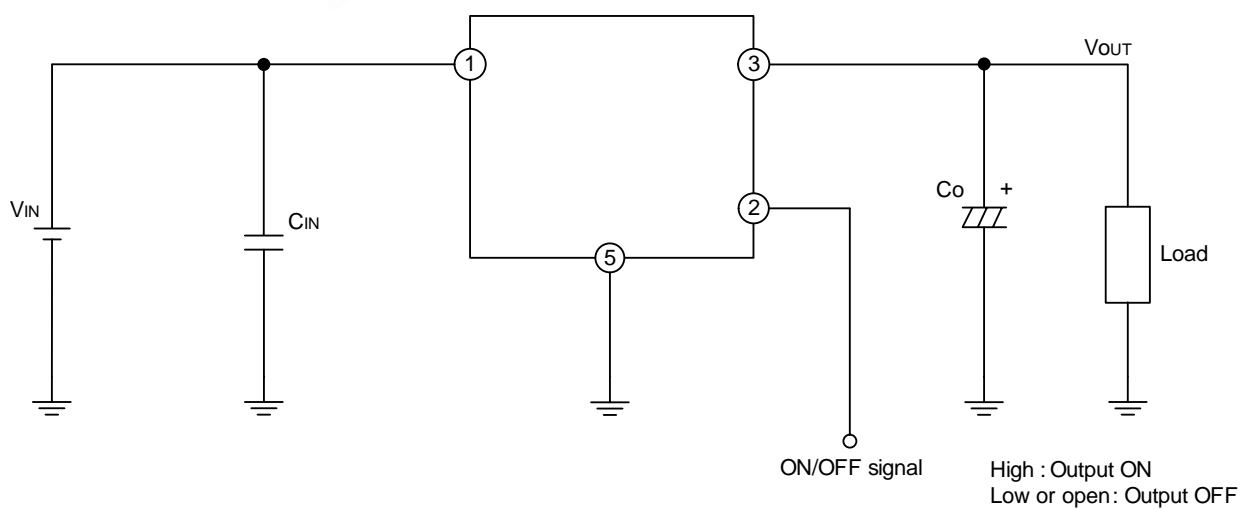
Fig.1



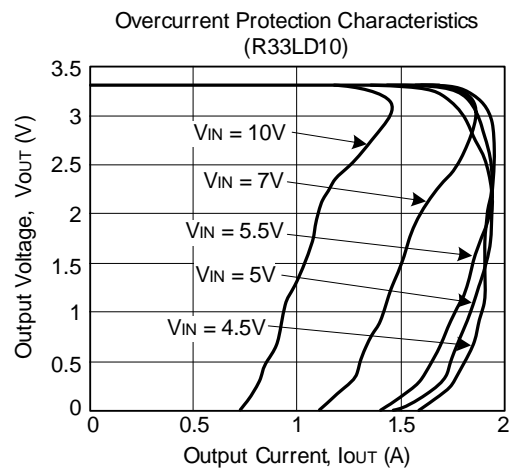
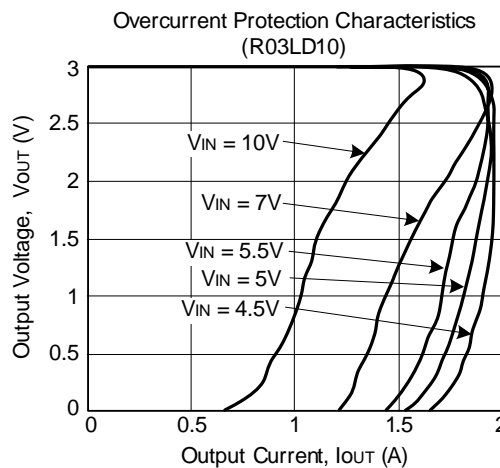
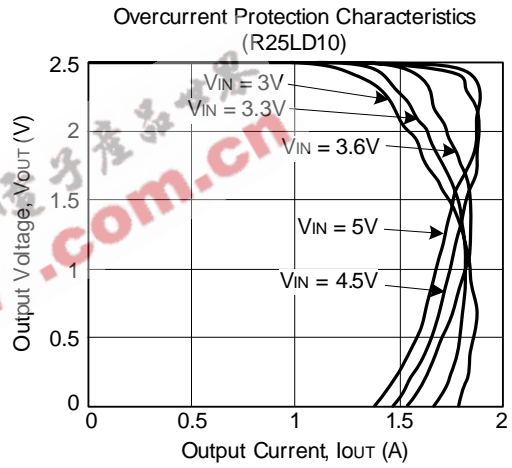
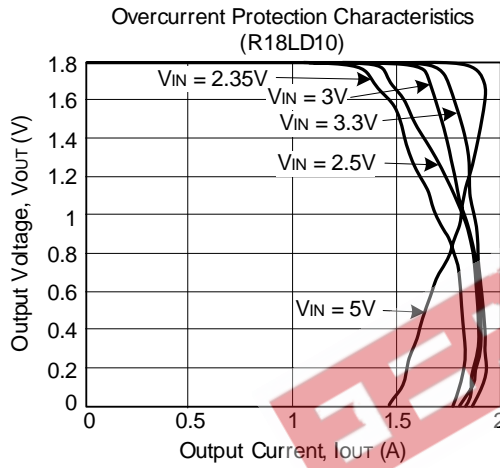
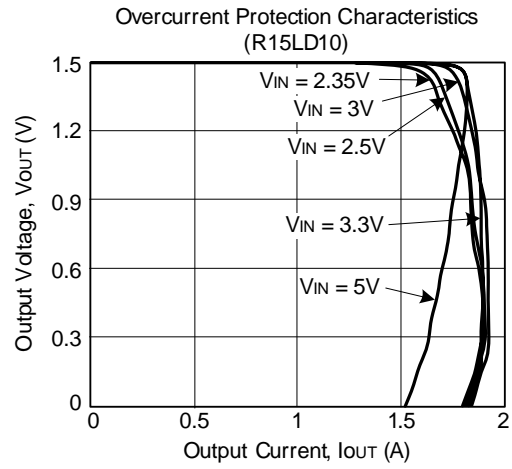
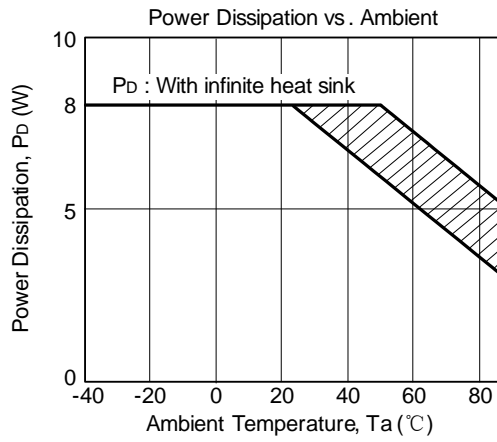
$f = 120\text{Hz}$ (sine wave), e_i (rms) = 0.5V, $V_{IN} = V_O$ (TYP)+2V, $I_{OUT} = 0.5\text{A}$, $RR = 20\log(e_i \text{ (rms)} / e_o \text{ (rms)})$

Fig.2 For Ripple Rejection

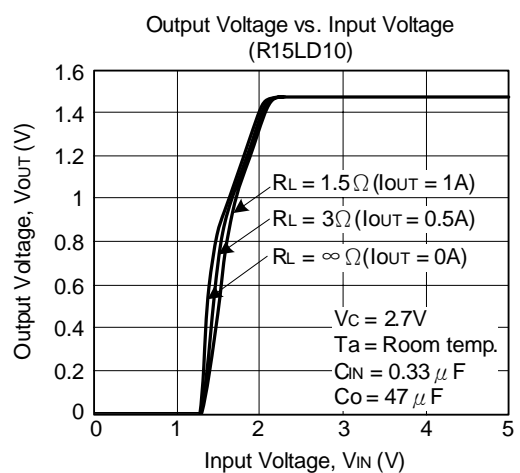
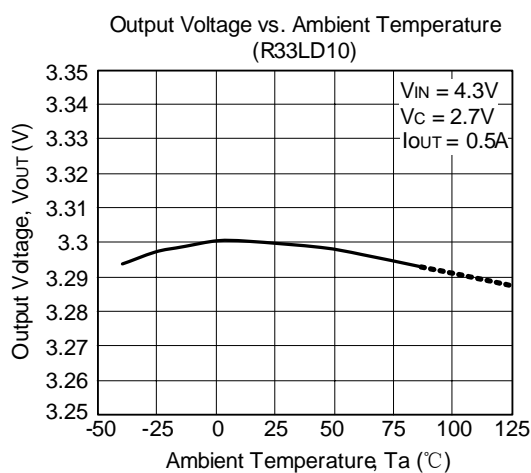
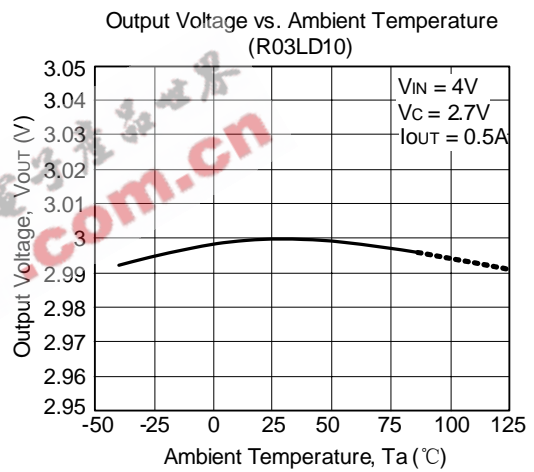
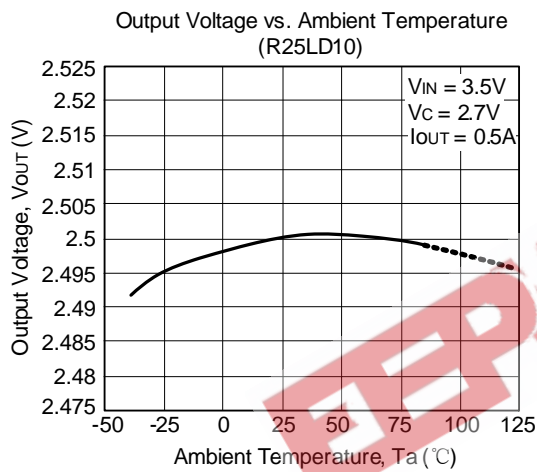
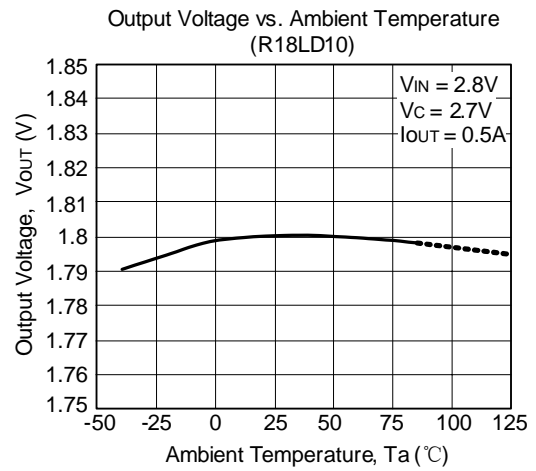
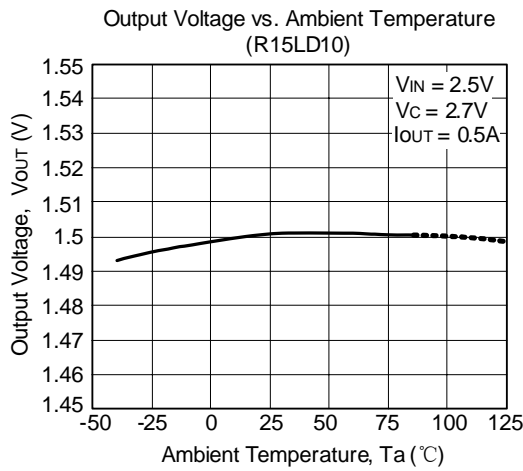
TYPICAL APPLICATION CIRCUIT



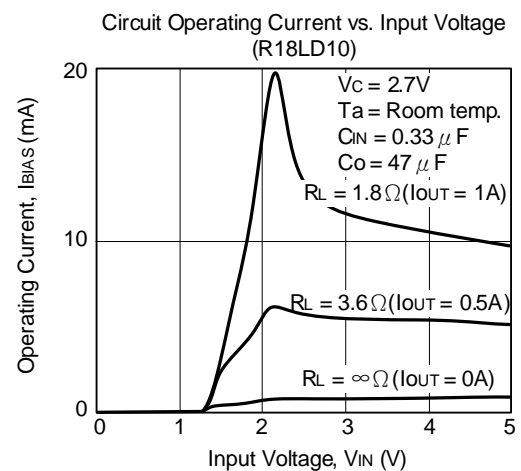
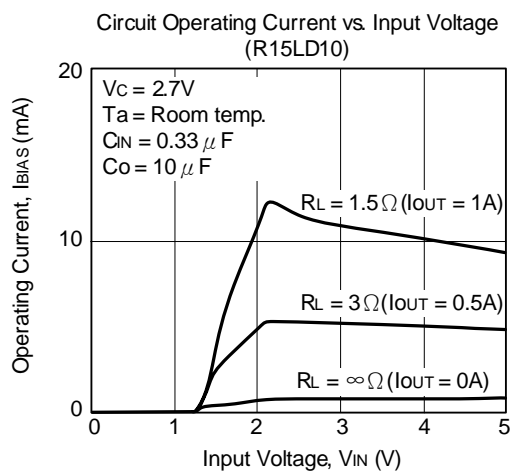
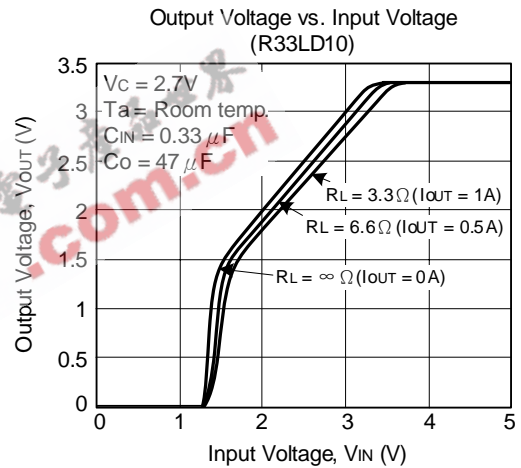
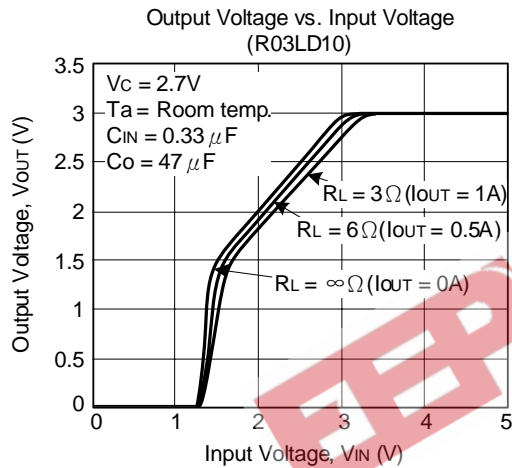
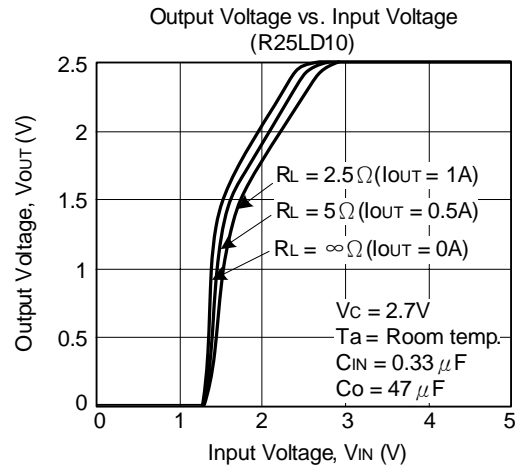
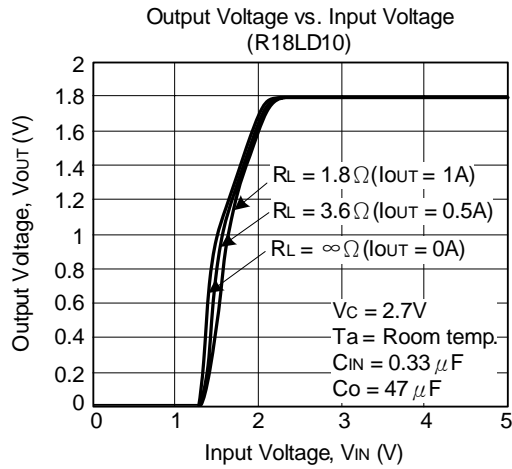
TYPICAL CHARACTERISTICS



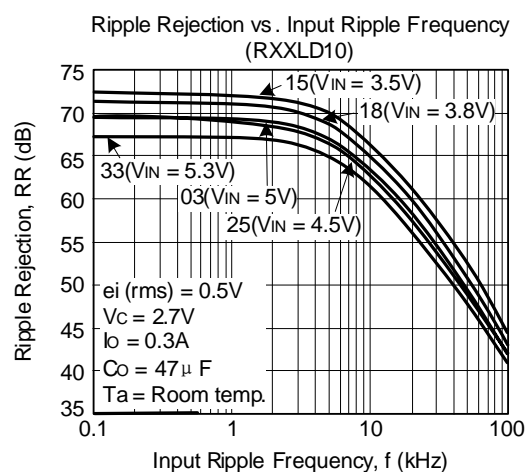
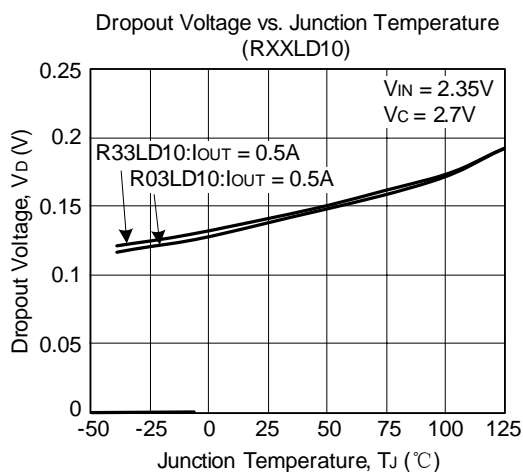
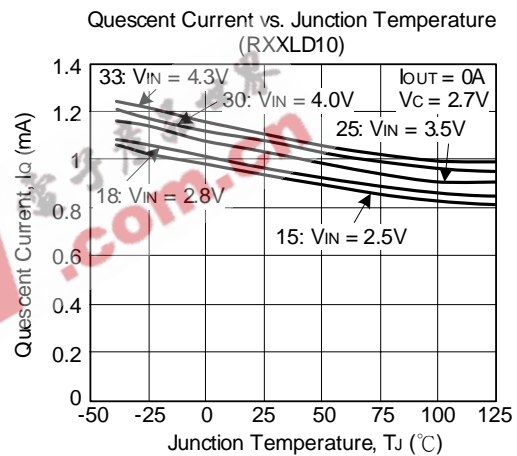
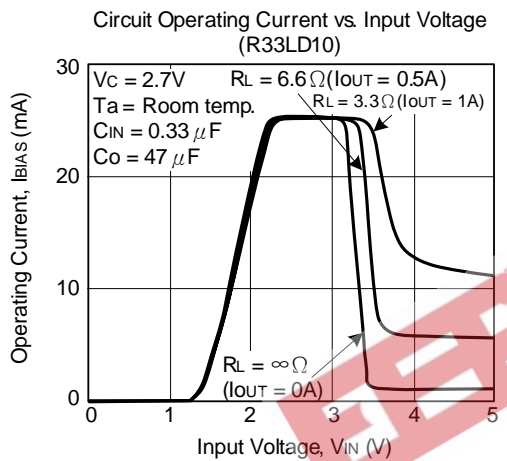
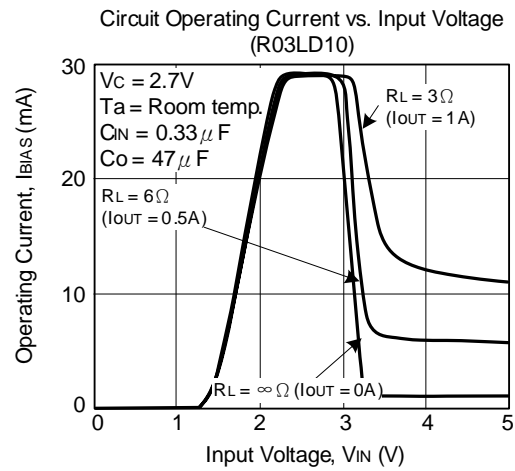
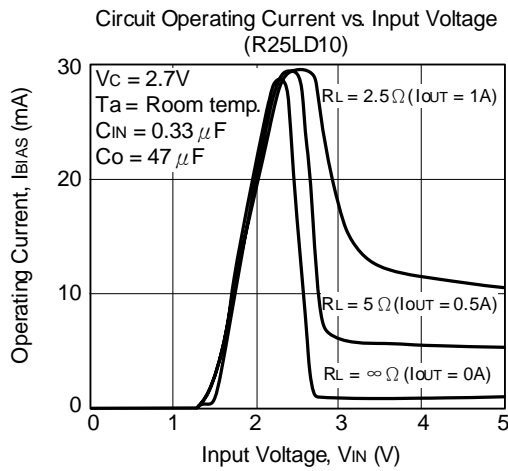
TYPICAL CHARACTERISTICS(cont.)



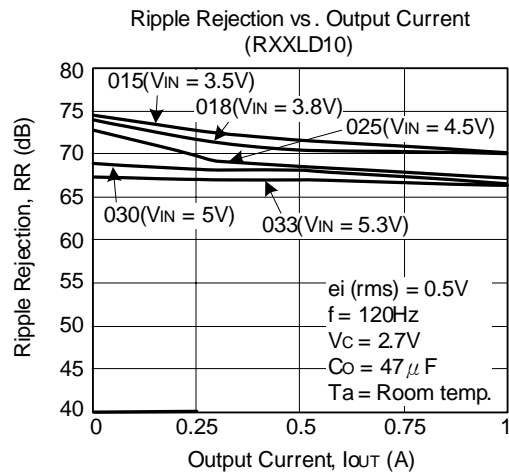
TYPICAL CHARACTERISTICS(cont.)



TYPICAL CHARACTERISTICS(cont.)



■ TYPICAL CHARACTERISTICS(cont.)



EEPW 电子產品世界 .com.cn

UTC assumes no responsibility for equipment failures that result from using products at values that exceed, even momentarily, rated values (such as maximum ratings, operating condition ranges, or other parameters) listed in products specifications of any and all UTC products described or contained herein. UTC products are not designed for use in life support appliances, devices or systems where malfunction of these products can be reasonably expected to result in personal injury. Reproduction in whole or in part is prohibited without the prior written consent of the copyright owner. The information presented in this document does not form part of any quotation or contract, is believed to be accurate and reliable and may be changed without notice.