

HiMARK Technology, Inc. reserves the right to change the product described in this datasheet. All information contained in this datasheet is subject to change without prior notice. HiMARK Technology, Inc. assumes no responsibility for the use of any circuits shown in this datasheet.

Description

The RX3930 is a low power 433/868/915 MHz FM/FSK receiver IC which is suitable for use in the North American 915 MHz and the European 433 and 868 MHz ISM bands.

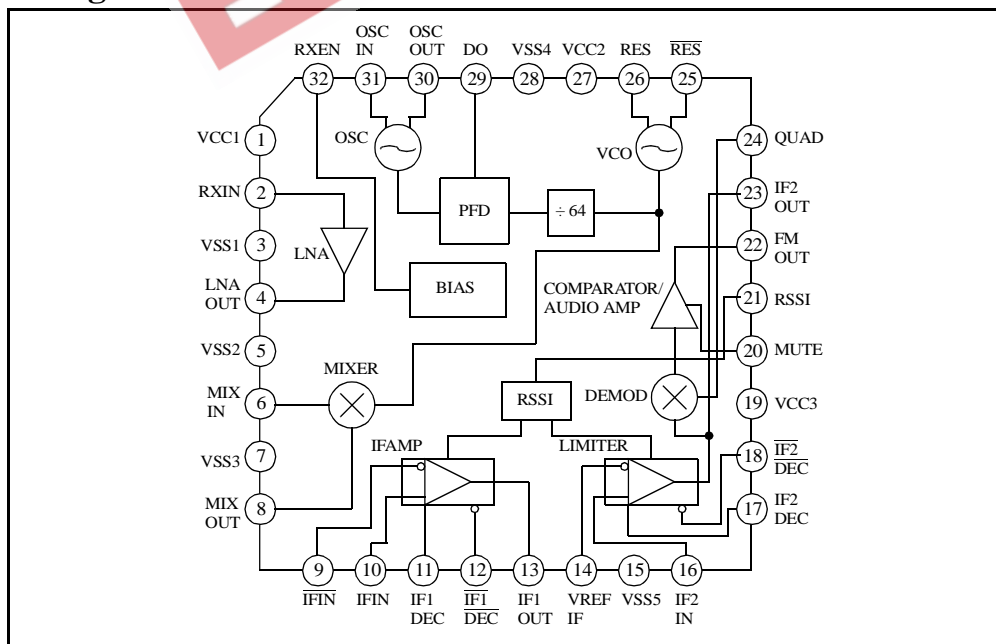
Features

- ◆ Integrated VCO with fixed $\div 64$ prescaler, phase/frequency detector, and reference oscillator forming complete phase-locked loop
- ◆ User selectable FM or FSK output
- ◆ RSSI output with 70 dB dynamic range
- ◆ Receiver enable pin for power saving
- ◆ TQFP-32 package (5mm x 5mm)

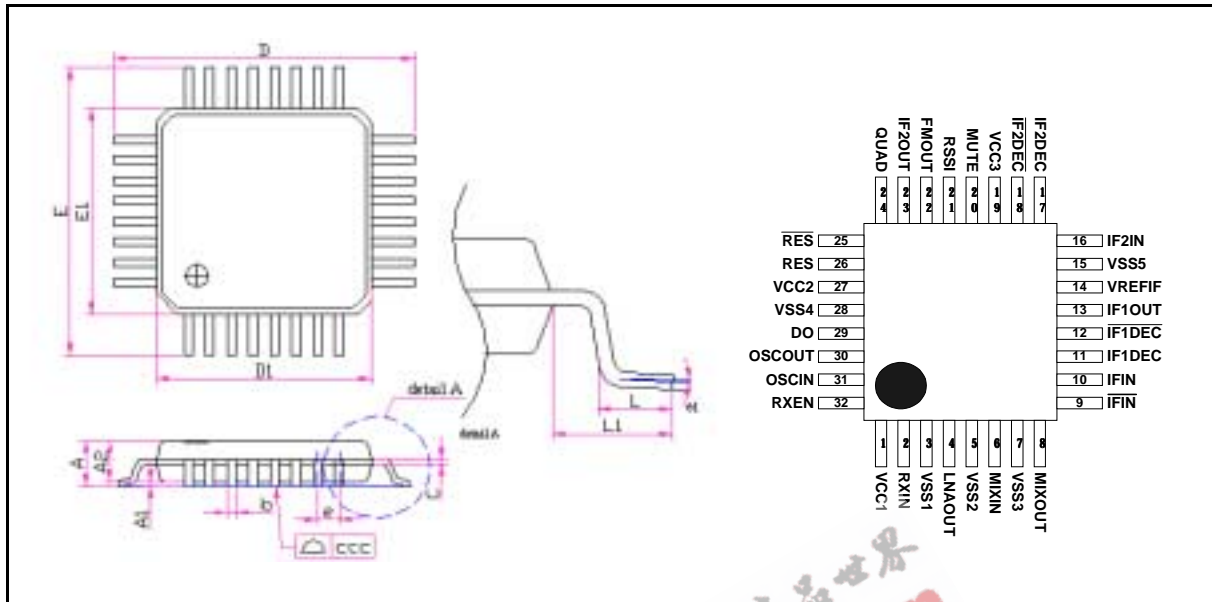
Applications

- ◆ Wireless mouse
- ◆ Wireless amplifier/ speaker/ earphone/ microphone
- ◆ Wireless car alarm system

Block Diagram



Package and Pin Assignment: TQFP-32



Symbols	Dimensions in mm			Dimensions in inch		
	min.	nom.	max.	min.	nom.	max.
A	—	—	1.20	—	—	0.047
A1	0.05	—	0.15	0.002	—	0.006
A2	0.95	1.00	1.05	0.037	0.039	0.041
b	0.17	0.22	0.27	0.007	0.009	0.011
C	0.09	—	0.20	0.003	—	0.008
D1	4.90	5.00	5.10	0.193	0.197	0.201
D	6.80	7.00	7.20	0.267	0.275	0.283
E1	4.90	5.00	5.10	0.193	0.197	0.201
E	6.80	7.00	7.20	0.267	0.275	0.283
e	—	0.50(typ)	—	—	0.02(typ)	—
L	0.45	0.60	0.75	0.018	0.024	0.029
L1	—	1.00(ref.)	—	—	0.039(ref.)	—
θ1	0°	3.5°	7°	0°	3.5°	8°
ccc	—	—	0.008	—	—	0.003

Pin Descriptions

Number	Name	I/O	Description
1	VCC1	POWER	Supply DC bias for RF amplifier
2	RXIN	I	RF amplifier input
3	VSS1	GND	Ground for RF amplifier
4	LNAOUT	O	LNA output
5	VSS2	GND	Ground for 40dB IF limiting amplifier
6	MIXIN	I	RF input to RF Mixer
7	VSS3	GND	Ground for RF Mixer
8	MIXOUT	O	IF output from RF Mixer
9	$\overline{\text{IFIN}}$	I	IF input (required 10nF DC blocking capacitor)
10	IFIN	I	Same as pin 9 except non-inverting node amplifier input
11	IF1DEC	I/O	DC feedback for 40dB limiting amplifier (required 100nF bypass capacitor)
12	$\overline{\text{IF1DEC}}$	I/O	See pin 11
13	IF1OUT	O	IF output from the 40 dB limiting amplifier
14	VREFIF	O	DC voltage reference for the IF limiting amplifier (required 0.1 μ F capacitor)
15	VSS5	GND	Ground for 60dB IF limiting amplifier
16	IF2 IN	I	Inverting input to the 60dB limiting amplifier (required 10nF DC blocking capacitor)
17	IF2DEC	I/O	DC feedback node for the 60dB limiting amplifier (required 100nF bypass capacitor)
18	$\overline{\text{IF2DEC}}$	I/O	See pin 17
19	VCC3	POWER	Supply DC bias to the 60dB IF limiting amplifier
20	MUTE	I	Select FM, FSK, or mute at the FM OUT pin. (to Ground: FSK OUTPUT; floating: FM OUTPUT; to Vcc: muting)
21	RSSI	O	Proportional DC voltage (0.5V~2.5V) output
22	FMOUT	O	Demodulated output
23	IF2OUT	O	IF output from the 60dB limiting strip
24	QUAD	I	FM demodulator input (not AC coupled)
25	$\overline{\text{RES}}$	I/O	Supply DC voltage to VCO
26	RES	I/O	See pin 25
27	VCC2	POWER	Supply DC bias to the VCO, prescaler, and PLL
28	VSS4	GND	Ground shared by the VCO, prescaler, and PLL
29	DO	I/O	Output of the charge pump, and input to the VCO

Number	Name	I/O	Description
30	OSCOUT	I/O	Connected to the reference oscillator transistor base
31	OSCIN	I/O	Connected to the emitter of the reference oscillator transistor
32	RXEN	I	Power up or down the RX3930. (logic high powers up the receiver and PLL; logic low powers down circuit to stand by mode)

EETW 电子產品世界
.com.cn

Absolute Maximum Ratings

$V_{SS} = 0\text{ V}$

Parameter	Symbol	Rating	Unit
Supply voltage	V_{CC1} V_{CC2}	$V_{SS} - 0.5$ to $V_{SS} + 5.5$	V
Operating temperature range	T_{OPR}	-40 to 85	°C
Storage temperature range	T_{STG}	-40 to 150	°C
Soldering temperature range	T_{SLD}	255	°C
Soldering time range	t_{SLD}	10	s

Recommended Operating Conditions

$V_{SS} = 0\text{ V}$

Parameter	Symbol	Value			Unit
		min.	typ.	max.	
Supply voltage range	V_{CC1}	2.7	3.6	5.0	V
	V_{CC2}	2.7	3.6	5.0	V
	V_{CC3}	2.7	3.6	5.0	V
Operating temperature	T_A	-10	25	60	°C

Receiver Characteristics

($V_{CC1}, V_{CC2}, V_{CC3} = 2.7$ to 5.0 V, $V_{SS} = 0$ V, $RXEN = \text{high}$, $T_A = -10$ to 60 °C unless otherwise noted)

Parameter	Symbol	Condition	Value			Unit
			min.	typ.	max.	
Input RF frequency range			300		1000	MHz
Sensitivity	P_{sens}	$BW_{\text{IF}} = 150$ KHz, $f_{\text{RF}} = 915$ MHz, SNR = 8 dB		-97		dBm
LO leakage	α_{LO}			-55		dBm

Electrical Characteristics

($V_{CC1}, V_{CC2}, V_{CC3} = 2.7$ to 5.0 V, $V_{SS} = 0$ V, $RXEN = \text{high}$, $T_A = -10$ to 60 °C, $f_{\text{RF}} = 915$ MHz unless otherwise noted)

Parameter	Symbol	Condition	Value			Unit
			min.	typ.	max.	
Power supply						
VCC1 supply voltage	V_{CC1}		2.7	3.6	5.0	V
VCC2 supply voltage	V_{CC2}		2.7	3.6	5.0	V
VCC3 supply voltage	V_{CC3}		2.7	3.6	5.0	V
Total dc current (normal operation)	I_{DC}			10		mA
Total dc current (stand-by mode)	I_{standby}	$RXEN = \text{low}$			1	μA
LNA						
Power gain	G_{LNA}	Matched to 50Ω		17		dB
Noise figure	NF_{LNA}			3.8		dB
Input third-order intermodulation intercept point	$IIP3_{\text{LNA}}$			-8		dBm
Mixer						
Conversion power gain	G_{C}	Matched to 50Ω		7		dB
Noise figure (SSB)	NF_{MIX}			17		dB
Input third-order intermodulation intercept point	$IIP3_{\text{MIX}}$			-15.5		dBm
VCO						
Frequency range		External varactor	300		1000	MHz

Parameter	Symbol	Condition	Value			Unit
			min.	typ.	max.	
PLL						
N-divider ratio				64		
Reference frequency	f_{REF}				17	MHz
Charge pump current	I_{CP}		-40		40	μA
Lock time	τ_{lock}	PLL's lock time set by bandwidth of external loop filter		10		ms
IF amplifier						
Frequency range			0.1	10.7	25	MHz
Input impedance	$Z_{in,IF}$			330		Ω
Output impedance	$Z_{out,IF}$			330		Ω
Limiter						
Frequency range			0.1	10.7	25	MHz
Input impedance	$Z_{in,IF}$			330		Ω
Output impedance	$Z_{out,IF}$			330		Ω
RSSI						
RSSI dynamic range				70		dB
RSSI dc output range		$R_{load} = 51 K\Omega$	0.5		2.5	V
FM/FSK Demodulator						
Demodulated output level (audio)	V_{OD}			70		mV_{rms}
FSK output duty ratio			40	50	60	%

Application Circuit (906 MHz)

