

SHINDENGEN

Super Fast Recovery Rectifiers

Dual

S20LC20U

200V 20A

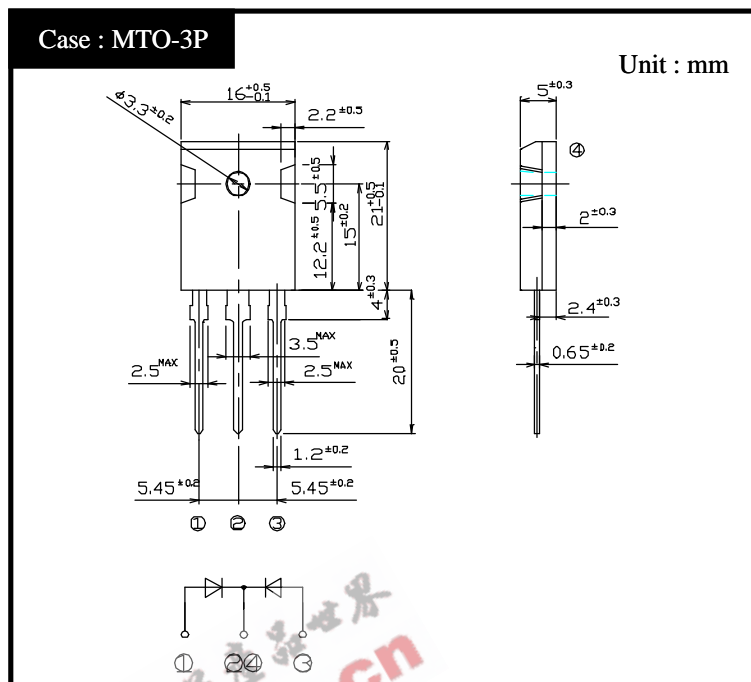
FEATURES

- Low noise
- trr35ns
- Small jc
- Dielectric strength 2kV guaranteed

APPLICATION

- Switching power supply
- Free Wheel
- Home Appliances, Office Equipment,
- Factory Automation

OUTLINE DIMENSIONS



RATINGS

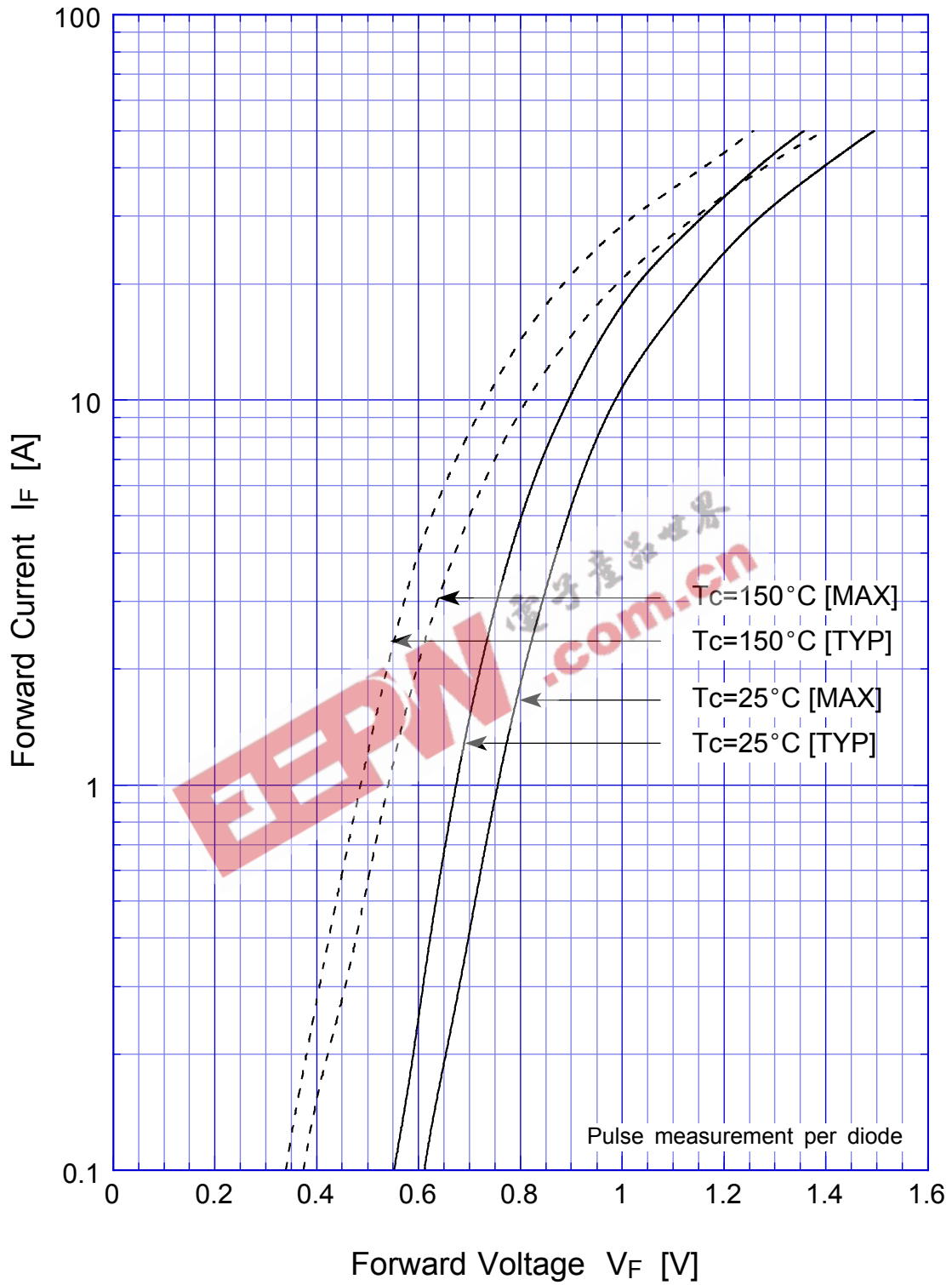
Absolute Maximum Ratings (If not specified $T_c=25$)

Item	Symbol	Conditions	Ratings	Unit
Storage Temperature	T_{stg}		-40 ~ 150	
Operating Junction Temperature	T_j		150	
Maximum Reverse Voltage	V_{RM}		200	V
Average Rectified Forward Current	I_O	50Hz sine wave, R-load, Rating for each diode $I_O/2$, $T_c=123$	20	A
Peak Surge Forward Current	I_{FSM}	50Hz sine wave, Non-repetitive 1 cycle peak value, $T_j=25$	140	A
Mounting Torque	TOR	(Recommended torque $0.5N \cdot m$)	0.8	$N \cdot m$

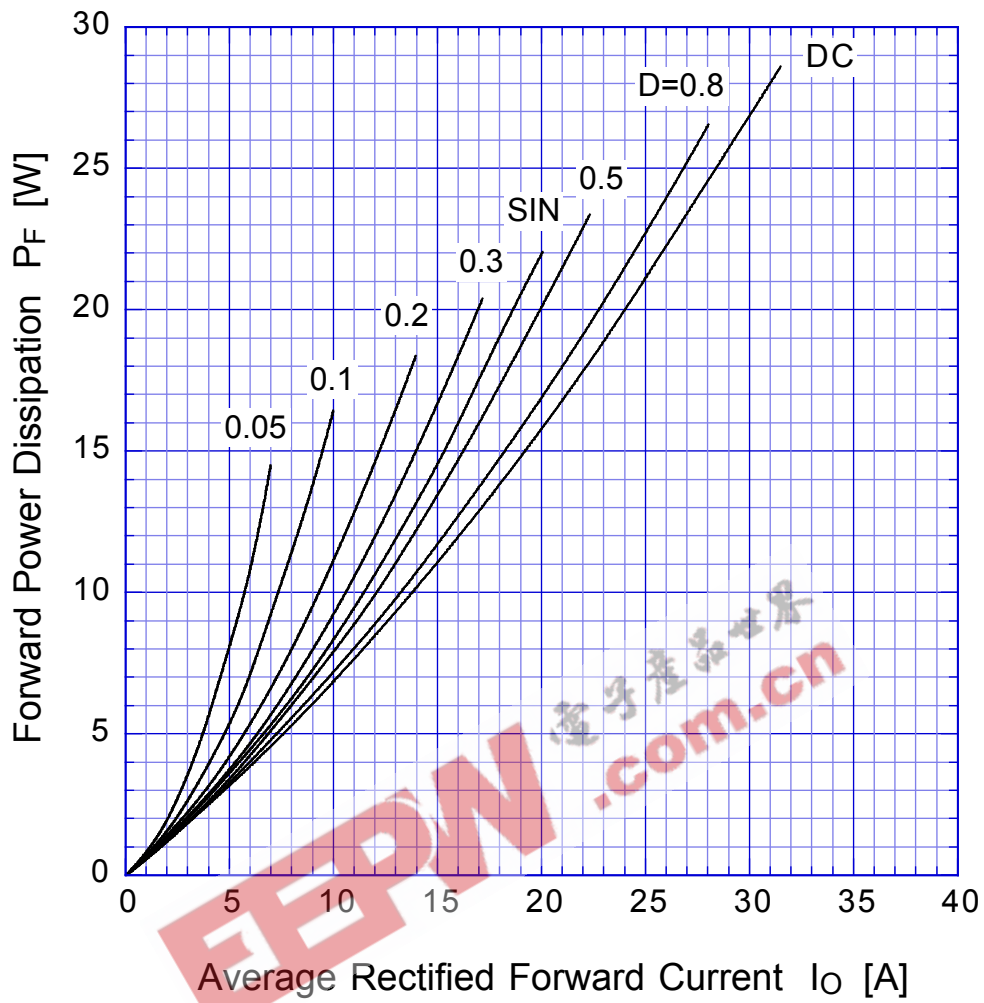
Electrical Characteristics (If not specified $T_c=25$)

Item	Symbol	Conditions	Ratings	Unit
Forward Voltage	V_F	$I_F=10A$, Pulse measurement, Rating of per diode	Max.0.98	V
Reverse Current	I_R	$V_R=V_{RM}$, Pulse measurement, Rating of per diode	Max.10	μA
Reverse Recovery Time	trr	$I_F=0.5A$, $I_R=1A$, Rating of per diode	Max.35	ns
Thermal Resistance	jc	junction to case	Max.1.2	/W

S20LC20U Forward Voltage



S20LC20U Forward Power Dissipation

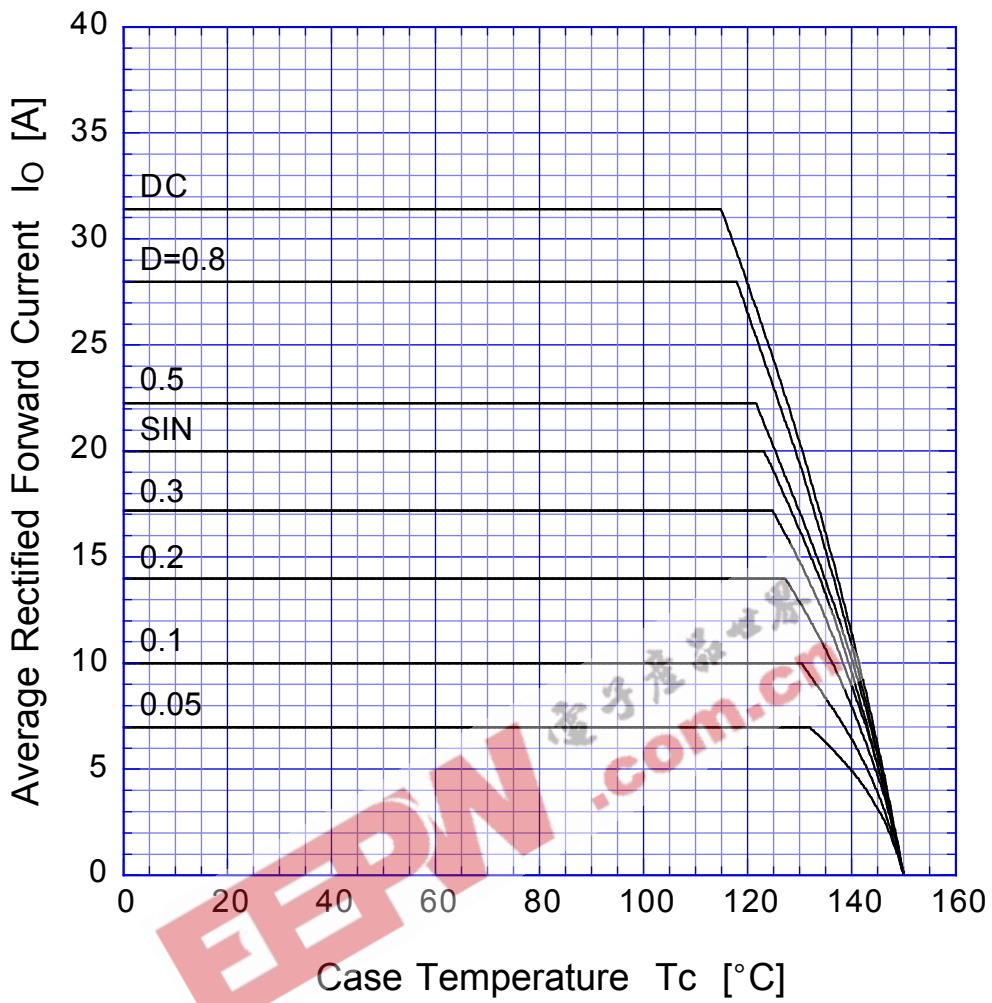


$T_j = T_{jmax}$



S20LC20U

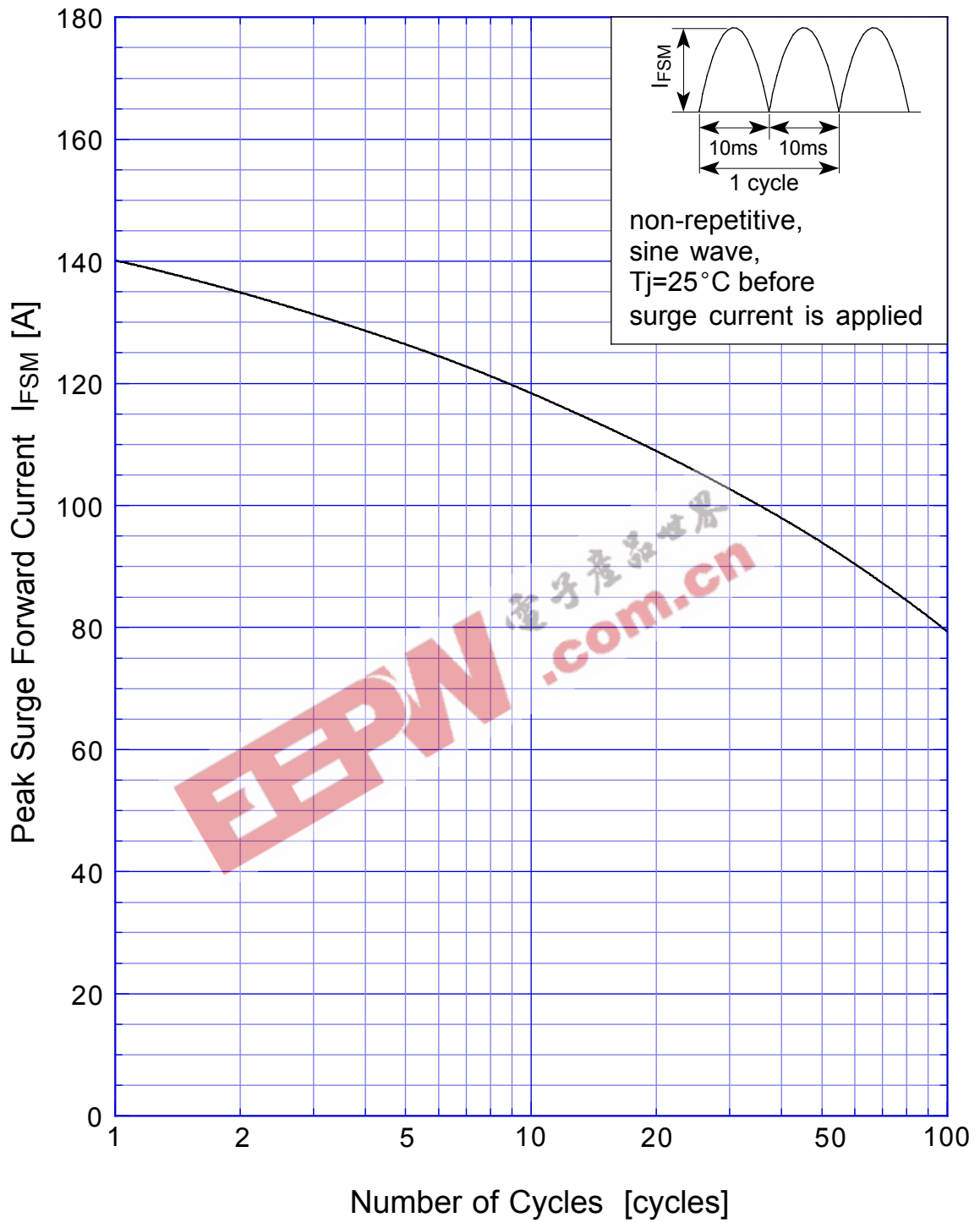
Derating Curve



$$V_R = V_{RM}$$



S20LC20U Peak Surge Forward Capability



S20LC20U Junction Capacitance

