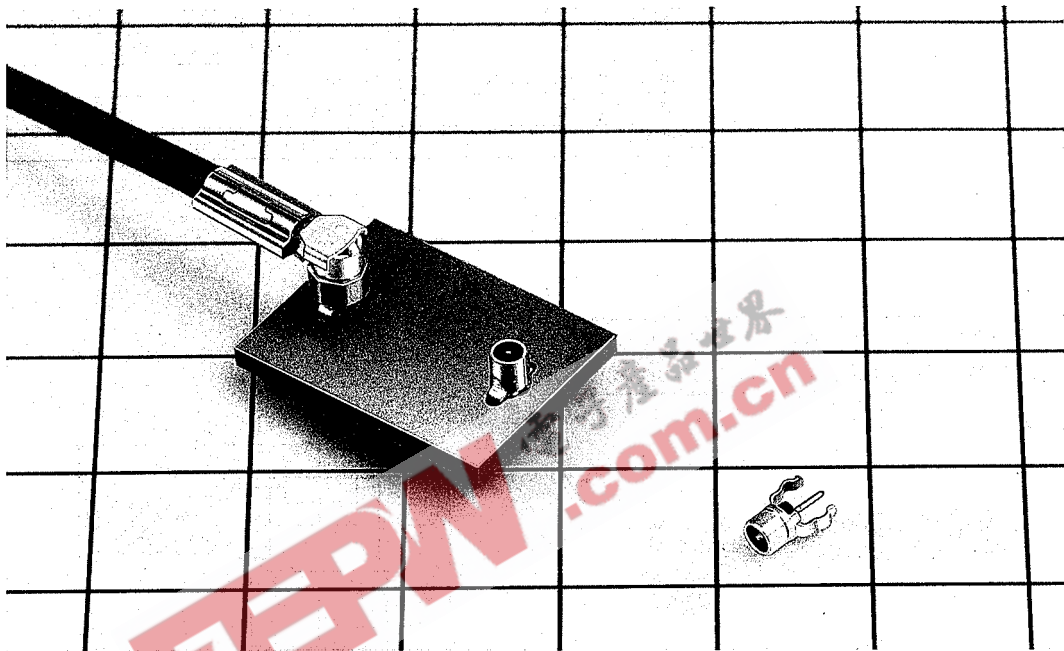


S.FL SERIES RF CO-AXIAL CONNECTORS

S.FL SERIES SUPER FL COAXIAL CONNECTORS

OUTLINE

SLF (Super FL Coaxial Connectors) Series Connectors are low profile super small type coaxial connectors for printed circuits for high density packaging. Compared with our existing FL type connectors, a low profile can be realized by a reduction in the mated height of approx 60% and higher density wiring is possible for high frequency transmission.



FEATURES

- (1) Low profile
The height off of the PCB when mated is 6mm or less.
- (2) Low cost
Plastic and forming products are used as in our FL type connectors.
- (3) High matching
High frequency performance is V.S.W.R 1.25 or less for 0-2500 MHz.
- (4) Exclusive-use cable is the 0.8D-QEW/CW (Fujikura Ltd.).

APPLICATION

To portable telephones, car telephones, radio communication units, electric instrument etc.

MATERIAL AND FINISH

Component	Material	Finish
Shell	Phosphor bronze	Silver Plating
Center contact (male)	Brass	Gold Plating
Center contact (female)	Phosphor bronze	Gold Plating
Insulation	Polyphenylene Oxyacid & Polyethylene terephthalate	

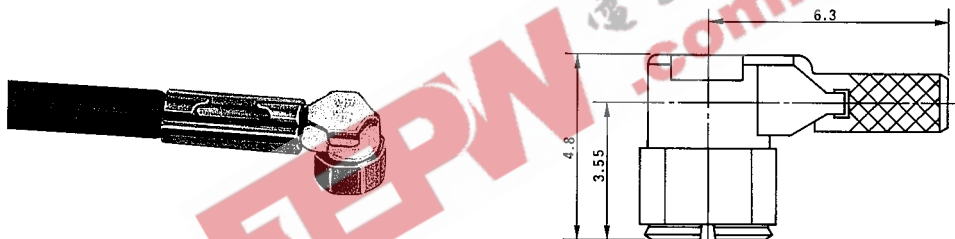
PERFORMANCE CHARACTERISTICS

(1) General performance characteristics

Item	Specification
Characteristic impedance	50 Ω
Insulation resistance	1000M Ω or more (at 250VDC)
Contact resistance	10m Ω or less for both center and outer conductors (at 1 ADC)
Withstanding voltage	250VAC (rms) for one minute
Coupling/removal force	30gf or more
Life of contacts	50 times of use
VSWR	Less than 1.25 for D.C.~2500MHz

PLUG

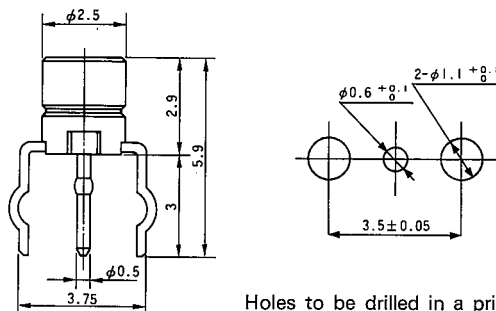
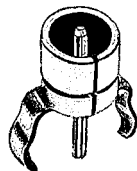
HRS No.	Part No.	Applicable cable
CL331-0101-0	S.FL-LP-0.8DW	0.8D-QEW-CW



Provided with a male extension terminal and crimp sleeve.

RECEPTACLE

HRS No.	Part No.
CL331-0111-4	S.FL-R-PC



Holes to be drilled in a printed circuit board.