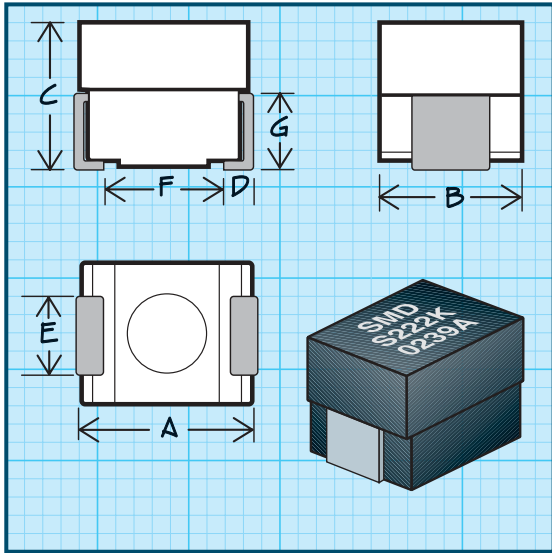


Series S1008

Shielded Surface Mount Inductors



Physical Parameters

| | Inches | Millimeters |
|---|-------------------|------------------|
| A | 0.095 to 0.115 | 2.41 to 2.92 |
| B | 0.085 to 0.105 | 2.16 to 2.66 |
| C | 0.075 to 0.095 | 1.91 to 2.41 |
| D | 0.010 to 0.030 | 0.26 to 0.76 |
| E | 0.040 to 0.060 | 1.02 to 1.52 |
| F | 0.060 (Ref. only) | 1.52 (Ref. only) |
| G | 0.045 (Ref. only) | 1.14 (Ref. only) |

Dimensions "A" and "C" are over terminals.

Weight Max. (Grams) 0.1

Operating Temperature Range -55°C to +125°C

Current Rating at 90°C Ambient 35°C Rise

Maximum Power Dissipation at 90°C 0.157 W

Packaging Tape & reel (8mm): 7" reel, 2000 pieces max.; 13" reel, 7000 pieces max.

Made In the U.S.A. Patent Protected

| PART NUMBER | INDUCTANCE (µH) ± 10% | Q MINIMUM | TEST FREQUENCY (MHz) | SRF MINIMUM (MHz) | DC RESISTANCE MAXIMUM (OHMS) | CURRENT RATING MAX. (mA) |
|---|-----------------------|-----------|----------------------|-------------------|------------------------------|--------------------------|
| SERIES S1008 FERRITE CORE | | | | | | |
| S1008-101K | 0.10 | 40 | 25 | 383 | 0.09 | 1120 |
| S1008-121K | 0.12 | 40 | 25 | 368 | 0.10 | 1060 |
| S1008-151K | 0.15 | 40 | 25 | 353 | 0.11 | 1015 |
| S1008-181K | 0.18 | 40 | 25 | 338 | 0.12 | 970 |
| S1008-221K | 0.22 | 40 | 25 | 323 | 0.13 | 930 |
| S1008-271K | 0.27 | 40 | 25 | 308 | 0.14 | 900 |
| S1008-331K | 0.33 | 40 | 25 | 293 | 0.15 | 865 |
| S1008-391K | 0.39 | 40 | 25 | 278 | 0.16 | 840 |
| S1008-471K | 0.47 | 40 | 25 | 255 | 0.17 | 815 |
| S1008-561K | 0.56 | 40 | 25 | 232 | 0.18 | 790 |
| S1008-621K | 0.62 | 40 | 25 | 200 | 0.19 | 770 |
| S1008-681K | 0.68 | 40 | 25 | 186 | 0.20 | 750 |
| S1008-751K | 0.75 | 40 | 25 | 163 | 0.21 | 735 |
| S1008-821K | 0.82 | 40 | 25 | 140 | 0.22 | 715 |
| S1008-911K | 0.91 | 40 | 25 | 130 | 0.24 | 685 |
| S1008-102K | 1.0 | 30 | 7.9 | 120 | 0.25 | 670 |
| S1008-122K | 1.2 | 30 | 7.9 | 95 | 0.29 | 625 |
| S1008-152K | 1.5 | 30 | 7.9 | 72 | 0.42 | 545 |
| S1008-182K | 1.8 | 30 | 7.9 | 66 | 0.60 | 435 |
| S1008-222K | 2.2 | 30 | 7.9 | 60 | 0.80 | 375 |
| S1008-272K | 2.7 | 30 | 7.9 | 55 | 0.85 | 365 |
| S1008-332K | 3.3 | 30 | 7.9 | 50 | 0.90 | 355 |
| S1008-392K | 3.9 | 30 | 7.9 | 45 | 1.00 | 335 |
| S1008-472K | 4.7 | 30 | 7.9 | 42 | 1.20 | 305 |
| S1008-562K | 5.6 | 30 | 7.9 | 40 | 1.30 | 295 |
| S1008-682K | 6.8 | 30 | 7.9 | 38 | 1.80 | 250 |
| S1008-822K | 8.2 | 30 | 7.9 | 32 | 1.90 | 240 |
| S1008-103K | 10 | 30 | 7.9 | 29 | 2.10 | 230 |
| S1008-123K | 12 | 30 | 2.5 | 28 | 3.50 | 220 |
| S1008-153K | 15 | 30 | 2.5 | 25 | 4.00 | 210 |
| S1008-183K | 18 | 30 | 2.5 | 21 | 5.00 | 200 |
| S1008-223K | 22 | 30 | 2.5 | 18 | 6.00 | 170 |
| S1008-273K | 27 | 30 | 2.5 | 15 | 7.00 | 160 |
| S1008-333K | 33 | 30 | 2.5 | 12 | 7.40 | 125 |
| S1008-393K | 39 | 30 | 2.5 | 10 | 8.00 | 120 |
| S1008-473K | 47 | 30 | 2.5 | 8 | 9.00 | 110 |
| Optional Tolerances: J = 5% H = 3% G = 2% F = 1% | | | | | | |

RF INDUCTORS