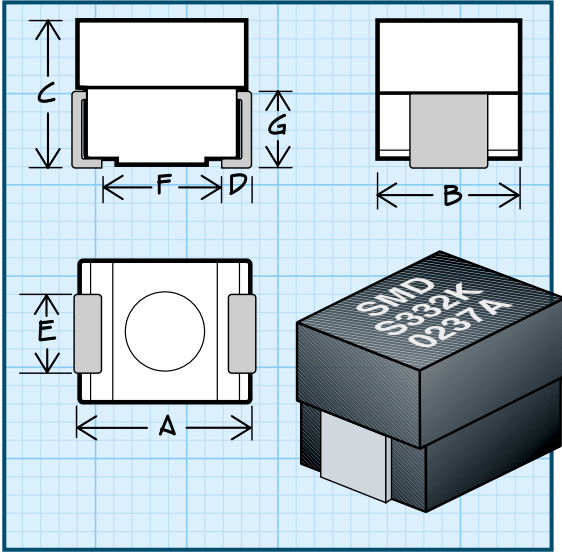


Series S1210

Shielded Surface Mount Inductors



Physical Parameters

	Inches	Millimeters
A	0.118 to 0.138	3.00 to 3.51
B	0.085 to 0.105	2.16 to 2.66
C	0.081 to 0.101	2.06 to 2.57
D	0.016 Min.	0.41 Min.
E	0.041 to .061	1.04 to 1.55
F	0.070 (Ref. only)	1.78 (Ref. only)
G	0.054 (Ref. only)	1.37 (Ref. only)

Dimensions "A" and "C" are over terminals.

Weight Max. (Grams) 0.1

Operating Temperature Range -55°C to +125°C

Current Rating at 90°C Ambient 35°C Rise

Maximum Power Dissipation at 90°C 0.287 W

Packaging Tape & reel (8mm): 7" reel, 2000 pieces max.; 13" reel, 7000 pieces max.

Made In the U.S.A. Patent Protected

PART NUMBER

INDUCTANCE
(μ H) \pm 10%

Q MINIMUM

TEST FREQUENCY (MHz)

SRF MINIMUM (MHz)

DC RESISTANCE
MAXIMUM (OHMS)

CURRENT RATING
MAX. (mA)

SERIES S1210 IRON CORE

S1210-101K	0.10	40	25	375	0.15	1175
S1210-121K	0.12	40	25	350	0.17	1104
S1210-151K	0.15	40	25	330	0.20	1017
S1210-181K	0.18	40	25	310	0.22	971
S1210-221K	0.22	40	25	300	0.25	910
S1210-271K	0.27	40	25	290	0.30	860
S1210-331K	0.33	40	25	255	0.35	831
S1210-391K	0.39	40	25	230	0.40	720
S1210-471K	0.47	40	25	220	0.45	679
S1210-561K	0.56	40	25	200	0.50	644
S1210-681K	0.68	40	25	180	0.55	614
S1210-821K	0.82	40	25	170	0.60	588

SERIES S1210 FERRITE CORE

S1210-102K	1.0	40	7.9	140	0.40	720
S1210-122K	1.2	40	7.9	120	0.49	650
S1210-152K	1.5	40	7.9	110	0.57	603
S1210-182K	1.8	40	7.9	95	0.65	564
S1210-222K	2.2	40	7.9	80	0.73	533
S1210-272K	2.7	40	7.9	70	0.75	526
S1210-332K	3.3	40	7.9	45	0.80	509
S1210-392K	3.9	40	7.9	42	0.83	500
S1210-472K	4.7	40	7.9	40	1.00	455
S1210-562K	5.6	40	7.9	38	1.30	399
S1210-682K	6.8	40	7.9	35	1.50	372
S1210-822K	8.2	40	7.9	32	1.70	349
S1210-103K	10.0	40	2.5	28	1.90	330
S1210-123K	12.0	40	2.5	25	2.10	314
S1210-153K	15.0	40	2.5	23	2.50	288
S1210-183K	18.0	40	2.5	21	2.80	272
S1210-223K	22.0	40	2.5	19	3.00	262
S1210-273K	27.0	40	2.5	16	4.00	228
S1210-333K	33.0	40	2.5	14	4.50	215
S1210-393K	39.0	40	2.5	12	5.00	204
S1210-473K	47.0	40	2.5	10	5.50	194
S1210-563K	56.0	40	2.5	8	6.30	181
S1210-683K	68.0	40	2.5	8	7.00	172
S1210-823K	82.0	40	2.5	8	8.50	156
S1210-104K	100.0	40	2.5	8	10.00	144

Optional Tolerances: J = 5% H = 3% G = 2% F = 1%

For more detailed graphs, contact factory

