

SURFACE MOUNT RECTIFIER

REVERSE VOLTAGE: 100 - 1000 V
CURRENT: 0.7 A

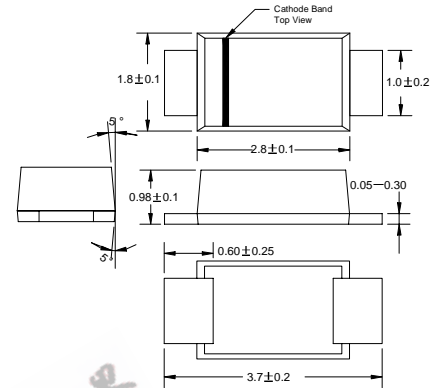
FEATURES

- Glass passivated device
- Ideal for surface mounted applications
- Low leakage current
- Metallurgically bonded construction
- High temperature soldering:
250 /10 seconds at terminals

MECHANICAL DATA

- Case: JEDEC SOD-123FL, molded plastic over passivated chip
- Terminals: Solder Plated, solderable per MIL-STD-750, Method 2026
- Polarity: Color band denotes cathode end
- Weight: 0.006 ounces, 0.02 gram
- Mounting position: Any

SOD - 123FL



MAXIMUM RATINGS AND ELECTRICAL CHARACTERISTICS

Ratings at 25 °C ambient temperature unless otherwise specified.
 Single phase, half wave, 60Hz, resistive or inductive load. For capacitive load, derate current by 20%.

ABSOLUTE RATINGS

		S07B	S07D	S07G	S07J	S07M	UNITS
		B0	D0	G0	J0	M0	
Maximum recurrent peak reverse voltage	V_{RRM}	100	200	400	600	1000	V
Maximum RMS voltage	V_{RMS}	70	140	280	420	700	V
Maximum DC blocking voltage	V_{DC}	100	200	400	600	1000	V
Maximum average forward rectified current $T_A=65$ (NOTE 1)	$I_{(AV)}$	0.7					A
Peak forward surge current 8.3ms single half-sine-wave superimposed on rated load $T_L=25$	I_{FSM}	25					A
Typical thermal resistance (NOTE 2)	R_{j0A}	180					K/W
Operating temperature range	T_j	- 55 --- + 150					
Storage temperature range	T_{STG}	- 55 --- + 150					

NOTES: 1. Averaged over any 20 ms period.

www.galaxycn.com

2. Thermal resistance junction to ambient, 6.0 mm² copper pads to each terminal.

ELECTRICAL CHARACTERISTICS

Parameter	Symbol	Min	Typ.	Max.	Unit
Maximum instantaneous (NOTE 3) forward voltage at 1.0A	V_F	-	-	1.1	V
Maximum DC reverse current @ $T_A=25$ at rated DC blocking voltage @ $T_A=125$	I_R	-	-	10.0 50	μA
Typical junction capacitance (NOTE 4)	C_j	-	4	-	pF
Maximum reverse recovery time (NOTE 5)	t_{rr}	-	-	1.8	μs

NOTES: 3.Pulse test:300 μs pulse width,1% duty cycle.

www.galaxycn.com

4.Measured at 1.0MHz and applied average voltage of 4.0V DC.

5.Measured with $I_F=0.5A$, $I_R=1A$, $I_{rr}=0.25A$.

EEPW 电子产品世界
.com.cn

FIG.1 – TYPICAL FORWARD CHARACTERISTIC

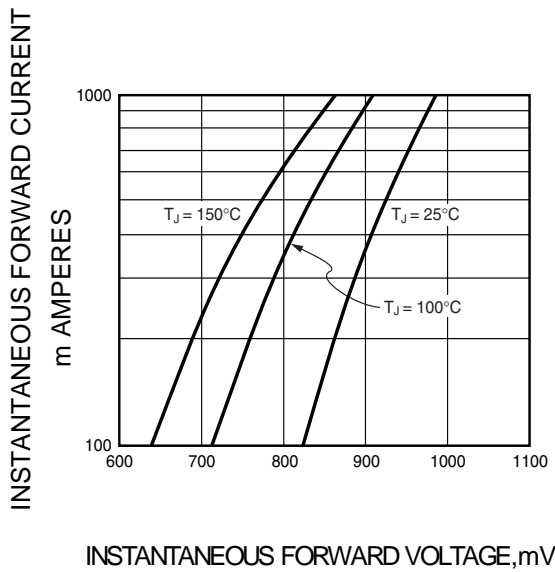


FIG.2 – TYPICAL JUNCTION CAPACITANCE

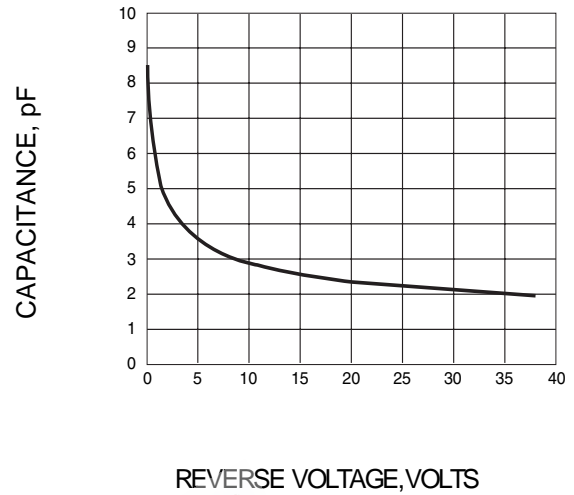


FIG.3 – TYPICAL INSTANTANEOUS REVERSE CHARACTERISTICS

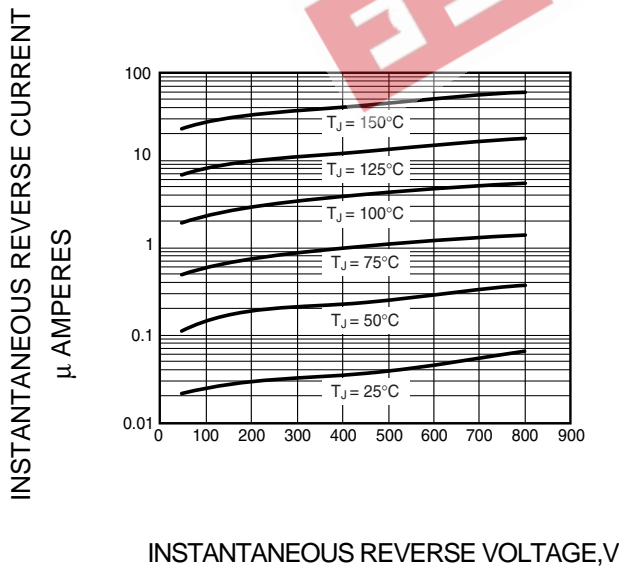


FIG.4 – FORWARD DERATING CURVE

