

**Surface Mount Standard Recovery
Glass Passivated**

**REVERSE VOLTAGE
50 TO 1000 VOLTS
FORWARD CURRENT
1.0 AMPERE**

Features:

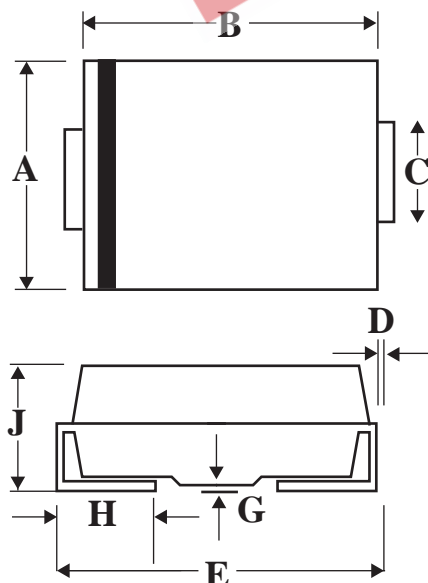
- *For Surface Mount Application
- *Glass Passivated Chip
- *Low Reverse Leakage Current
- *Low Forward Voltage Drop And High Current Capability
- *Plastic Material Has UL Flammability Classification 94V-0


SMA(DO-214AC)
Mechanical Data

- *Case : Molded Plastic
- *Polarity :Indicated by cathode band
- *Weight : 0.002 Ounce ,0.064 grams

SMA Outline Dimension

Unit:mm



SMA		
Dim	Min	Max
A	2.20	2.92
B	4.00	4.60
C	1.27	1.63
D	0.15	0.31
E	4.48	5.59
G	0.10	0.20
H	0.76	1.52
J	1.70	2.62

Maximum Ratings and Electrical Characteristics

Rating 25°C Ambient Temperature Unless Otherwise Specified.
 Single Phase Half Wave, 60Hz , Resistive or Inductive Load.
 For Capacitive Load, Derate Current by 20%.

Characteristics	Symbol	S1A	S1B	S1D	S1G	S1J	S1K	S1M	Unit
Maximum Recurrent Peak Reverse Voltage	VRRM	50	100	200	400	600	800	1000	V
Maximum RMS Voltage	VRMS	35	70	140	280	420	560	700	V
Maximum DC Blocking Voltage	VDC	50	100	200	400	600	800	1000	V
Maximum Average Forward Rectified Current @TC=100°C	IF(AV)	1.0							A
Peak Forward Surge Current, 8.3 ms Single Half Sine-Wave Superimposed on Rated Load (JEDEC Method)	IFSM	30							A
Maximum Instantaneous At 1.0A DC	VF	1.10							V
Maximum DC Reverse Current @Tj=25°C	IR	5.0							uA
At Rated DC Blocking Voltage @Tj=125°C		100							
Typical Junction Capacitance (Note 1)	C _J	10							PF
Typical Thermal Resistance (Note 2)	R _{θJL}	30							°C/W
Operating Temperature Range	T _J	-55 to+150							°C
Storage Temperature Range	TSTG	-55 to+150							°C

NOTES: 1.Measured at 1.0MHz applied reverse voltage of 4.0V DC.
 2.Thermal Resistance Junction to case.

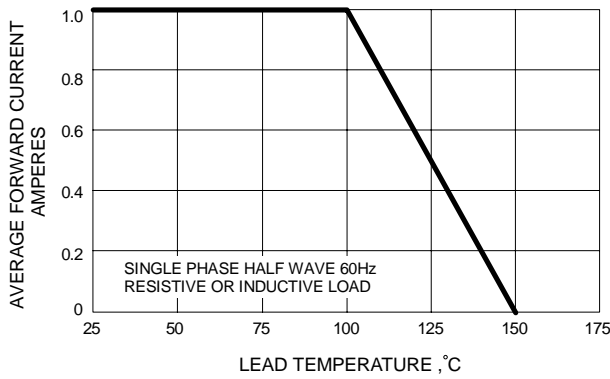


FIG.1 Forward Current Derating Curve

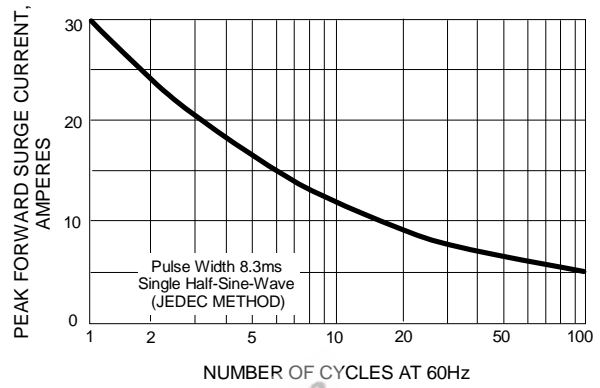


FIG.2 Maximum Non-Repetitive Surge Current

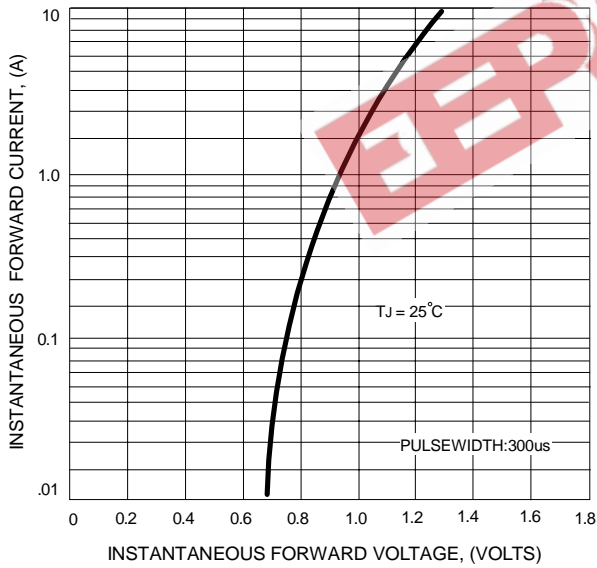


FIG.3 Typical Forward Characteristics

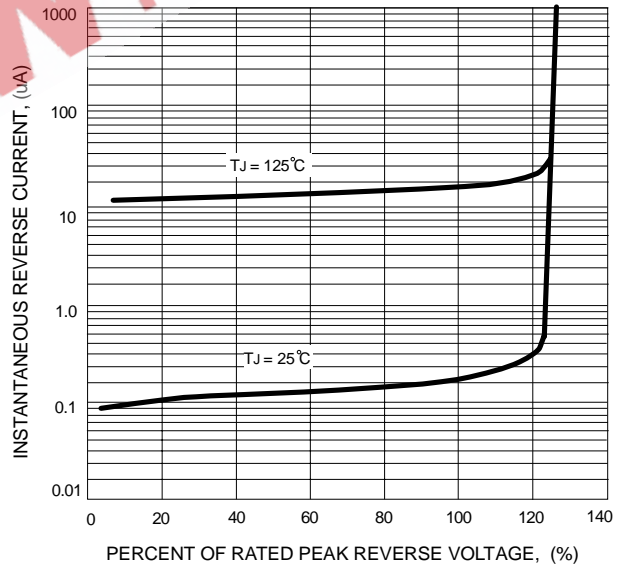


FIG.4 Typical Reverse Characteristics