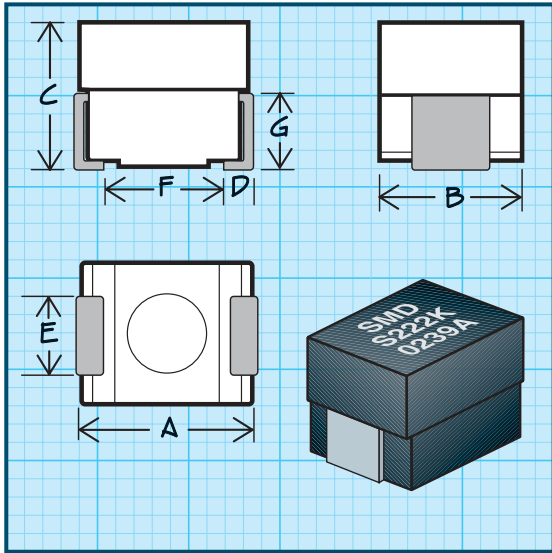


# Series S1008

## Shielded Surface Mount Inductors



### Physical Parameters

	Inches	Millimeters
A	0.095 to 0.115	2.41 to 2.92
B	0.085 to 0.105	2.16 to 2.66
C	0.075 to 0.095	1.91 to 2.41
D	0.010 to 0.030	0.26 to 0.76
E	0.040 to 0.060	1.02 to 1.52
F	0.060 (Ref. only)	1.52 (Ref. only)
G	0.045 (Ref. only)	1.14 (Ref. only)

Dimensions "A" and "C" are over terminals.

**Weight Max.** (Grams) 0.1

**Operating Temperature Range** -55°C to +125°C

**Current Rating at 90°C Ambient** 35°C Rise

**Maximum Power Dissipation at 90°C** 0.157 W

**Packaging** Tape & reel (8mm): 7" reel, 2000 pieces max.; 13" reel, 7000 pieces max.

**Made In the U.S.A. Patent Protected**

PART NUMBER	INDUCTANCE (µH) ± 10%	Q MINIMUM	TEST FREQUENCY (MHz)	SRF MINIMUM (MHz)	DC RESISTANCE MAXIMUM (OHMS)	CURRENT RATING MAX. (mA)
<b>SERIES S1008 FERRITE CORE</b>						
S1008-101K	0.10	40	25	383	0.09	1120
S1008-121K	0.12	40	25	368	0.10	1060
S1008-151K	0.15	40	25	353	0.11	1015
S1008-181K	0.18	40	25	338	0.12	970
S1008-221K	0.22	40	25	323	0.13	930
S1008-271K	0.27	40	25	308	0.14	900
S1008-331K	0.33	40	25	293	0.15	865
S1008-391K	0.39	40	25	278	0.16	840
S1008-471K	0.47	40	25	255	0.17	815
S1008-561K	0.56	40	25	232	0.18	790
S1008-621K	0.62	40	25	200	0.19	770
S1008-681K	0.68	40	25	186	0.20	750
S1008-751K	0.75	40	25	163	0.21	735
S1008-821K	0.82	40	25	140	0.22	715
S1008-911K	0.91	40	25	130	0.24	685
S1008-102K	1.0	30	7.9	120	0.25	670
S1008-122K	1.2	30	7.9	95	0.29	625
S1008-152K	1.5	30	7.9	72	0.42	545
S1008-182K	1.8	30	7.9	66	0.60	435
S1008-222K	2.2	30	7.9	60	0.80	375
S1008-272K	2.7	30	7.9	55	0.85	365
S1008-332K	3.3	30	7.9	50	0.90	355
S1008-392K	3.9	30	7.9	45	1.00	335
S1008-472K	4.7	30	7.9	42	1.20	305
S1008-562K	5.6	30	7.9	40	1.30	295
S1008-682K	6.8	30	7.9	38	1.80	250
S1008-822K	8.2	30	7.9	32	1.90	240
S1008-103K	10	30	7.9	29	2.10	230
S1008-123K	12	30	2.5	28	3.50	220
S1008-153K	15	30	2.5	25	4.00	210
S1008-183K	18	30	2.5	21	5.00	200
S1008-223K	22	30	2.5	18	6.00	170
S1008-273K	27	30	2.5	15	7.00	160
S1008-333K	33	30	2.5	12	7.40	125
S1008-393K	39	30	2.5	10	8.00	120
S1008-473K	47	30	2.5	8	9.00	110
<b>Optional Tolerances: J = 5% H = 3% G = 2% F = 1%</b>						

RF INDUCTORS