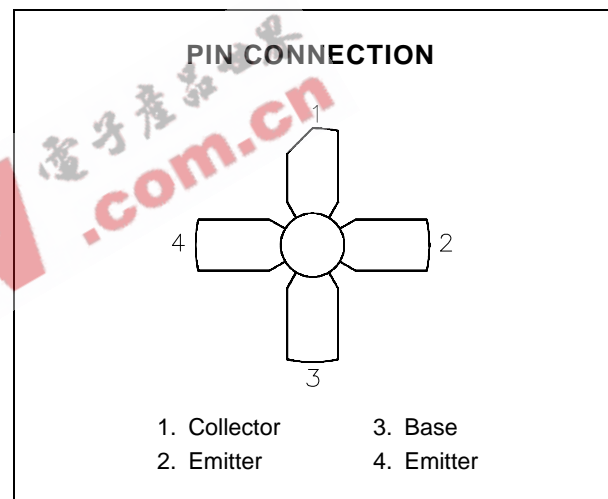
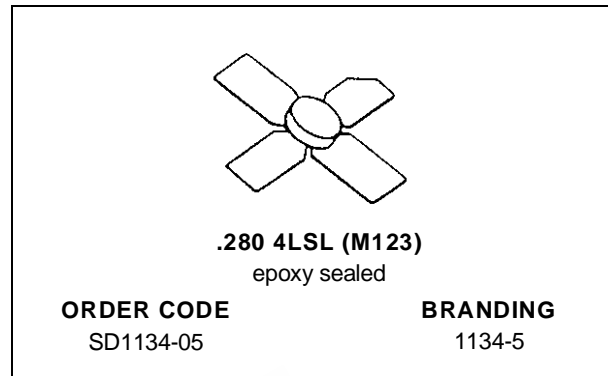


## RF & MICROWAVE TRANSISTORS VHF PORTABLE/MOBILE APPLICATIONS

- 175 MHz
- 7.5 VOLTS
- COMMON EMITTER
- $P_{OUT} = 0.5 \text{ W MIN. WITH } 7.0 \text{ dB GAIN}$



### DESCRIPTION

The SD1134-05 is a 7.5 V epitaxial silicon NPN planar transistor designed primarily for VHF communications. It with stands very high VSWR under rated operating conditions.

### ABSOLUTE MAXIMUM RATINGS ( $T_{case} = 25^{\circ}\text{C}$ )

Symbol	Parameter	Value	Unit
$V_{CBO}$	Collector-Base Voltage	36	V
$V_{CER}$	Collector-Emitter Voltage	16	V
$V_{CES}$	Collector-Emitter Voltage	36	V
$V_{EBO}$	Emitter-Base Voltage	4.0	V
$I_C$	Device Current	0.75	A
$P_{DISS}$	Power Dissipation	5.0	W
$T_J$	Junction Temperature	+200	$^{\circ}\text{C}$
$T_{STG}$	Storage Temperature	- 65 to +150	$^{\circ}\text{C}$

### THERMAL DATA

$R_{TH(j-c)}$	Junction-Case Thermal Resistance	35	$^{\circ}\text{C/W}$
---------------	----------------------------------	----	----------------------

**SD1134-05****ELECTRICAL SPECIFICATIONS** ( $T_{\text{case}} = 25^{\circ}\text{C}$ )

## STATIC

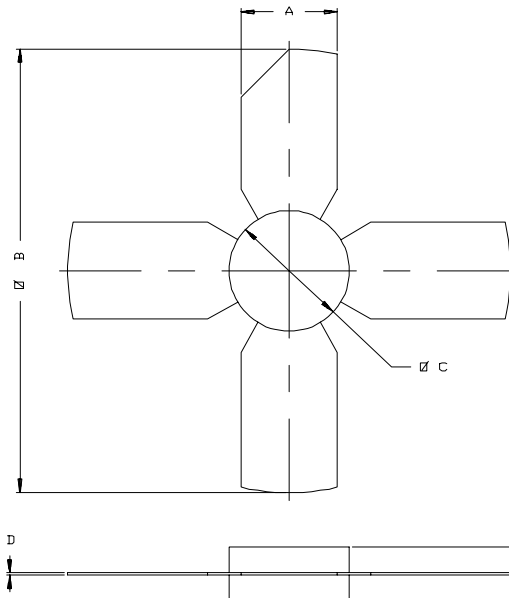
Symbol	Test Conditions		Value			Unit
			Min.	Typ.	Max.	
$BV_{\text{CES}}$	$I_{\text{C}} = 5\text{mA}$	$V_{\text{BE}} = 0\text{V}$	36	—	—	V
$BV_{\text{CEO}}$	$I_{\text{C}} = 25\text{mA}$	$I_{\text{B}} = 0\text{mA}$	16	—	—	V
$BV_{\text{EBO}}$	$I_{\text{E}} = 1\text{mA}$	$I_{\text{C}} = 0\text{mA}$	4.0	—	—	V
$I_{\text{CER}}$	$V_{\text{CE}} = 10\text{V}$	$R_{\text{BE}} = 80\Omega$	—	—	0.5	mA
$I_{\text{CBO}}$	$V_{\text{CB}} = 15\text{V}$	$I_{\text{E}} = 0\text{mA}$	—	—	1.0	mA
$h_{\text{FE}}$	$V_{\text{CE}} = 5\text{V}$	$I_{\text{C}} = 100\text{mA}$	40	—	200	—

## DYNAMIC

Symbol	Test Conditions		Value			Unit
			Min.	Typ.	Max.	
$P_{\text{OUT}}$	$f = 150\text{ MHz}$	$V_{\text{CC}} = 7.5\text{ V}$	1.4	—	—	W
$G_{\text{P}}$	$f = 150\text{ MHz}$	$V_{\text{CC}} = 7.5\text{ V}$	11.5	—	—	dB
$C_{\text{OB}}$	$f = 1\text{ MHz}$	$V_{\text{CB}} = 7.5\text{ V}$	—	6.0	—	pF

## PACKAGE MECHANICAL DATA

Ref.: Dwg. No.12-0123



SGS-THOMSON MICROELECTRONICS		
	MINIMUM Inches/mm	MAXIMUM Inches/mm
A	.220/5,59	.230/5,84
B	-----	1.055/26,8
C	.275/6,99	.285/7,24
D	.004/0,10	.006/0,15
E	.050/1,27	.060/1,52
F	.118/3,00	.130/3,30

Information furnished is believed to be accurate and reliable. However, SGS-THOMSON Microelectronics assumes no responsibility for the consequences of use of such information nor for any infringement of patents or other rights of third parties which may result from its use. No license is granted by implication or otherwise under any patent or patent rights of SGS-THOMSON Microelectronics. Specifications mentioned in this publication are subject to change without notice. This publication supersedes and replaces all information previously supplied. SGS-THOMSON Microelectronics products are not authorized for use as critical components in life support devices or systems without express written approval of SGS-THOMSON Microelectronics.

© 1994 SGS-THOMSON Microelectronics - All Rights Reserved

SGS-THOMSON Microelectronics GROUP OF COMPANIES  
 Australia - Brazil - France - Germany - Hong Kong - Italy - Japan - Korea - Malaysia - Malta - Morocco - The Netherlands -  
 Singapore - Spain - Sweden - Switzerland - Taiwan - Thailand - United Kingdom - U.S.A