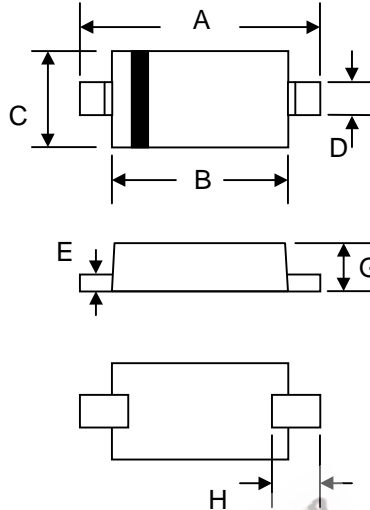


SD103AWS – SD103CWS

SURFACE MOUNT SCHOTTKY BARRIER DIODE

Features

- Low Turn-on Voltage
- Fast Switching
- PN Junction Guard Ring for Transient and ESD Protection
- Designed for Surface Mount Application
- Plastic Material – UL Recognition Flammability Classification 94V-O



SOD-323		
Dim	Min	Max
A	2.30	2.70
B	1.75	1.95
C	1.15	1.35
D	0.25	0.35
E	0.05	0.15
G	0.70	0.95
H	0.30	—

All Dimensions in mm

Mechanical Data

- Case: SOD-323, Molded Plastic
- Terminals: Plated Leads Solderable per MIL-STD-202, Method 208
- Polarity: Cathode Band
- Weight: 0.004 grams (approx.)
- Marking: SD103AWS S6
SD103BWS S7
SD103CWS S8

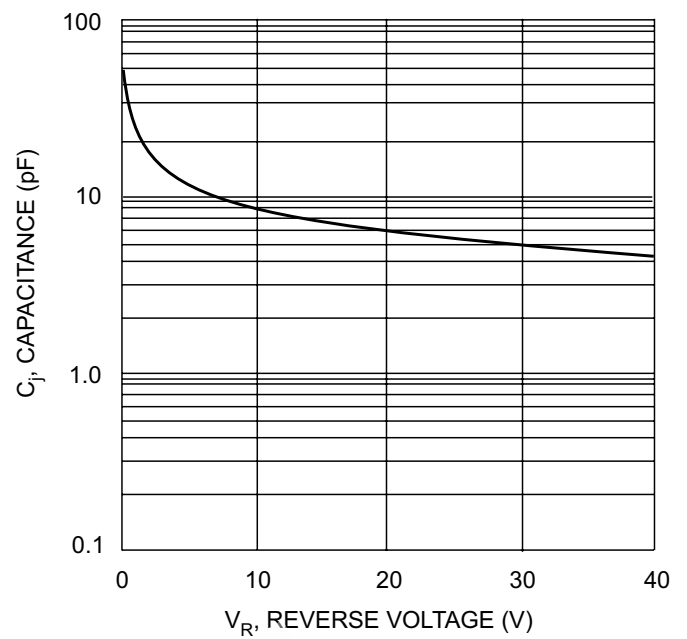
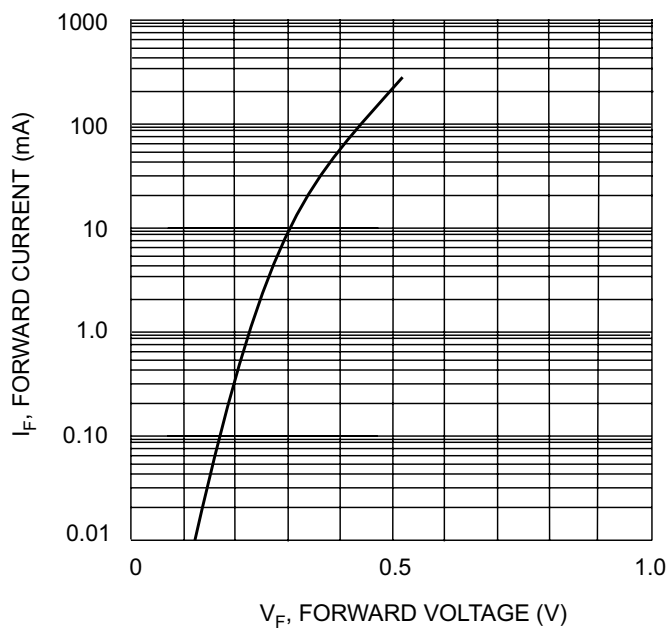
Maximum Ratings @ $T_A=25^\circ\text{C}$ unless otherwise specified

Characteristic	Symbol	SD103AWS	SD103BWS	SD103CWS	Unit
Peak Repetitive Reverse Voltage	V_{RRM}	40	30	20	V
Working Peak Reverse Voltage	V_{RWM}				
DC Blocking Voltage	V_R				
Forward Continuous Current (Note 1)	I_F	350			mA
Non-Repetitive Peak Forward Surge Current @ $t < 1.0\text{s}$	I_{FSM}	2.0			A
Power Dissipation (Note 1)	P_d	200			mW
Typical Thermal Resistance, Junction to Ambient Air (Note 1)	$R_{\theta JA}$	625			$^\circ\text{C/W}$
Operating and Storage Temperature Range	T_j, T_{STG}	-55 to +125			$^\circ\text{C}$

Electrical Characteristics @ $T_A=25^\circ\text{C}$ unless otherwise specified

Characteristic	Symbol	All Types	Unit	Test Condition
Reverse Breakdown Voltage	$V_{(BR)R}$	40 30 20	V	@ $I_R = 10\mu\text{A}$, $t_p < 300\mu\text{s}$
Forward Voltage Drop	V_{FM}	0.37 0.60	V	@ $I_F = 20\text{mA}$ @ $I_F = 200\text{mA}$
Peak Reverse Leakage Current	I_{RM}	5.0	μA	@ Rated DC Blocking Voltage
Typical Junction Capacitance	C_j	50	pF	$V_R = 0\text{V}$, $f = 1.0\text{MHz}$
Typical Reverse Recovery Time	t_{rr}	10	nS	$I_F = I_R = 200\text{mA}$ $I_{RR} = 0.1 \times I_R$, $R_L = 100\Omega$

Note: 1. Valid provided that terminals are kept at ambient temperature.



EEPW.com.cn 电子产品世界

ORDERING INFORMATION

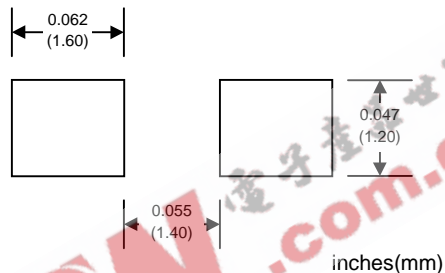
Product No.♦	Package Type	Shipping Quantity
SD103AWS-T1	SOD-323	3000/Tape & Reel
SD103AWS-T3	SOD-323	10000/Tape & Reel
SD103BWS-T1	SOD-323	3000/Tape & Reel
SD103BWS-T3	SOD-323	10000/Tape & Reel
SD103CWS-T1	SOD-323	3000/Tape & Reel
SD103CWS-T3	SOD-323	10000/Tape & Reel

Products listed in **bold** are WTE **Preferred** devices.

♦T1 suffix refers to a 7" reel. T3 suffix refers to a 13" reel.

Shipping quantity given is for minimum packing quantity only. For minimum order quantity, please consult the Sales Department.

RECOMMENDED FOOTPRINT



Won-Top Electronics Co., Ltd (WTE) has checked all information carefully and believes it to be correct and accurate. However, WTE cannot assume any responsibility for inaccuracies. Furthermore, this information does not give the purchaser of semiconductor devices any license under patent rights to manufacturer. WTE reserves the right to change any or all information herein without further notice.

WARNING: DO NOT USE IN LIFE SUPPORT EQUIPMENT. WTE power semiconductor products are not authorized for use as critical components in life support devices or systems without the express written approval.

Won-Top Electronics Co., Ltd.

No. 44 Yu Kang North 3rd Road, Chine Chen Dist., Kaohsiung, Taiwan

Phone: 886-7-822-5408 or 886-7-822-5410

Fax: 886-7-822-5417

Email: sales@wontop.com

Internet: http://www.wontop.com

We power your everyday.