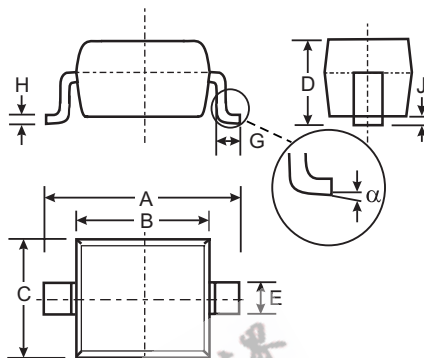


Features

- Low Forward Voltage Drop
- Guard Ring Construction for Transient Protection
- Negligible Reverse Recovery Time
- Low Capacitance
- Ultra-small Surface Mount Package
- **Lead Free/RoHS Compliant Version (Note 2)**

Mechanical Data

- Case: SOD-323
- Case material: Molded Plastic. UL Flammability Classification Rating 94V-0
- Moisture Sensitivity: Level 1 per J-STD-020C
- Polarity: Cathode Band
- Leads: Solderable per MIL-STD-202, Method 208
- Lead Free Plating (Matte Tin Finish annealed over Alloy 42 leadframe).
- Marking: See Page 3
- SD101AWS Marking Code: S1 or SK
- SD101BWS Marking Code: S2 or SK
- SD101CWS Marking Code: S3 or SC or SK
- Weight: 0.004 grams (approximate)



SOD-323		
Dim	Min	Max
A	2.30	2.70
B	1.60	1.80
C	1.20	1.40
D	1.05 Typical	
E	0.25	0.35
G	0.20	0.40
H	0.10	0.15
J	0.05 Typical	
α	0°	8°
All Dimensions in mm		

Maximum Ratings @ T_A = 25°C unless otherwise specified

Characteristic	Symbol	SD101AWS	SD101BWS	SD101CWS	Unit
Peak Repetitive Reverse Voltage	V _{RRM}	60	50	40	V
Working Peak Reverse Voltage	V _{RWM}				
DC Blocking Voltage	V _R				
RMS Reverse Voltage	V _{R(RMS)}	42	35	28	V
Forward Continuous Current (Note 1)	I _{FM}	15			mA
Non-Repetitive Peak Forward Surge Current @ t ≤ 1.0s @ t = 10μs	I _{FSM}	50 2.0			mA A
Power Dissipation (Note 1)	P _D	200			mW
Thermal Resistance, Junction to Ambient Air (Note 1)	R _{θJA}	625			°C/W
Operating and Storage Temperature Range	T _j , T _{STG}	-65 to +125			°C

Note: 1. Part mounted on FR-4 PC board with recommended pad layout, which can be found on our website at <http://www.diodes.com/datasheets/ap02001.pdf>.
2. No purposefully added lead.

Electrical Characteristics @ $T_A = 25^\circ\text{C}$ unless otherwise specified

Characteristic		Symbol	Min	Max	Unit	Test Condition
Reverse Breakdown Voltage (Note 3)	SD101AWS SD101BWS SD101CWS	$V_{(BR)R}$	60 50 40	—	V	$I_R = 10\mu\text{A}$ $I_R = 10\mu\text{A}$ $I_R = 10\mu\text{A}$
Forward Voltage Drop	SD101AWS SD101BWS SD101CWS SD101AWS SD101BWS SD101CWS	V_{FM}	—	0.41 0.40 0.39 1.00 0.95 0.90	V	$I_F = 1.0\text{mA}$ $I_F = 1.0\text{mA}$ $I_F = 1.0\text{mA}$ $I_F = 15\text{mA}$ $I_F = 15\text{mA}$ $I_F = 15\text{mA}$
Peak Reverse Current (Note 3)	SD101AWS SD101BWS SD101CWS	I_{RM}	—	200	nA	$V_R = 50\text{V}$ $V_R = 40\text{V}$ $V_R = 30\text{V}$
Total Capacitance	SD101AWS SD101BWS SD101CWS	C_T	—	2.0 2.1 2.2	pF	$V_R = 0\text{V}$, $f = 1.0\text{MHz}$
Reverse Recovery Time		t_{rr}	—	1.0	ns	$I_F = I_R = 5.0\text{mA}$, $I_{rr} = 0.1 \times I_R$, $R_L = 100\Omega$

Notes: 3. Short duration test pulse used to minimize self-heating effect.

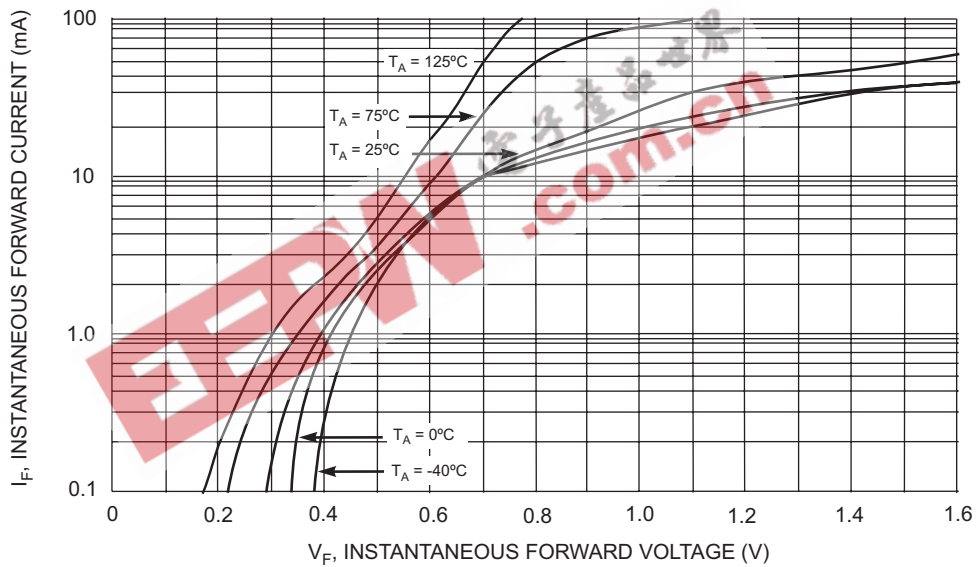


Fig. 1 Typical Forward Characteristics

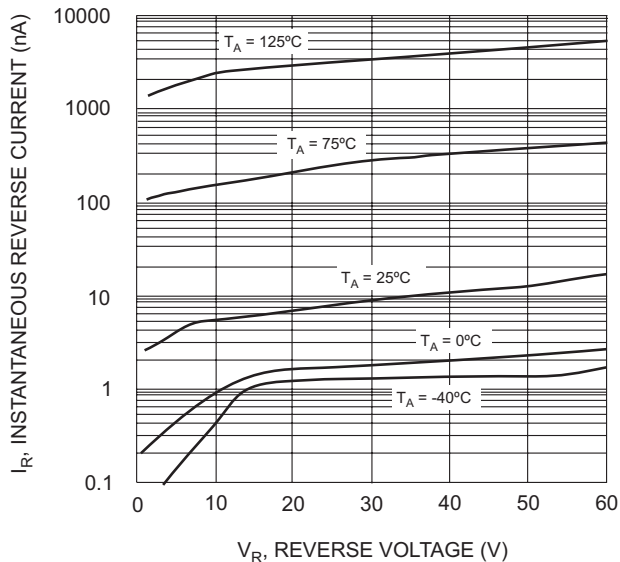
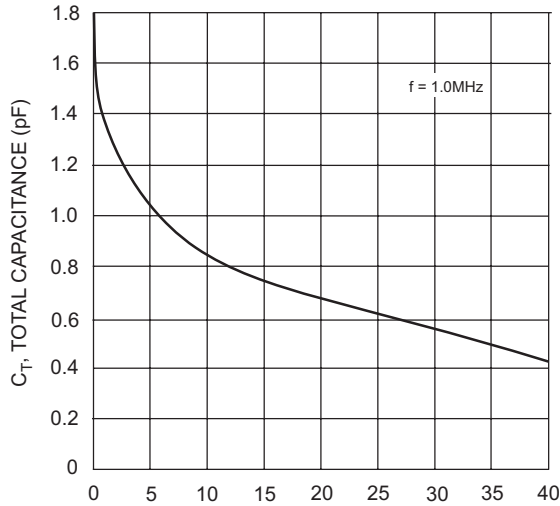
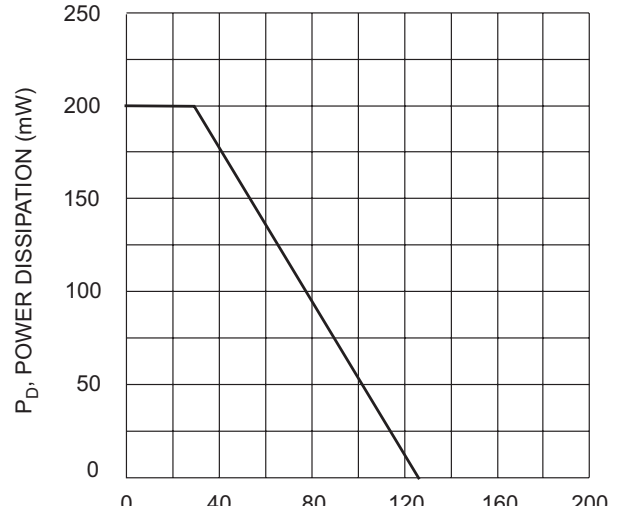


Fig. 2 Typical Reverse Characteristics



V_R, REVERSE VOLTAGE (V)
Fig. 3 Typical Capacitance



T_A, AMBIENT TEMPERATURE (°C)
Fig. 4 Power Derating Curve

Ordering Information (Note 4)

Device	Packaging	Shipping
SD101AWS-7-F	SOD-323	3000/Tape & Reel
SD101BWS-7-F	SOD-323	3000/Tape & Reel
SD101CWS-7-F	SOD-323	3000/Tape & Reel

Notes: 4. For Packaging Details, go to our website at: <http://www.diodes.com/datasheets/ap02007.pdf>.

Marking Information



XX = Product Type Marking Code
(See Page 1)

IMPORTANT NOTICE

Diodes Incorporated and its subsidiaries reserve the right to make modifications, enhancements, improvements, corrections or other changes without further notice to any product herein. Diodes Incorporated does not assume any liability arising out of the application or use of any product described herein; neither does it convey any license under its patent rights, nor the rights of others. The user of products in such applications shall assume all risks of such use and will agree to hold Diodes Incorporated and all the companies whose products are represented on our website, harmless against all damages.

LIFE SUPPORT

Diodes Incorporated products are not authorized for use as critical components in life support devices or systems without the expressed written approval of the President of Diodes Incorporated.