

### FAST RECOVERY DIODES

### Stud Version

#### Features

- High power FAST recovery diode series
- 1.5 to 2.0  $\mu$ s recovery time
- High voltage ratings up to 1600V
- High current capability
- Optimized turn on and turn off characteristics
- Low forward recovery
- Fast and soft reverse recovery
- Compression bonded encapsulation
- Stud version JEDEC DO-205AB (DO-9)
- Maximum junction temperature 125°C

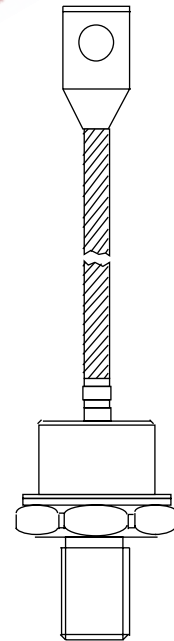
250A

#### Typical Applications

- Snubber diode for GTO
- High voltage free-wheeling diode
- Fast recovery rectifier applications

#### Major Ratings and Characteristics

Parameters	SD253N/R	Units
$I_{F(AV)}$	250	A
@ $T_C$	85	°C
$I_{F(RMS)}$	392	A
$I_{FSM}$ @ 50Hz	5350	A
@ 60Hz	5600	A
$I^2t$ @ 50Hz	143	KA <sup>2</sup> s
@ 60Hz	130	KA <sup>2</sup> s
$V_{RRM}$ range	400 to 1600	V
$t_{rr}$ range	1.5 to 2.0	$\mu$ s
@ $T_J$	25	°C
$T_J$	- 40 to 125	°C



case style  
DO-205AB (DO-9)

**ELECTRICAL SPECIFICATIONS**

**Voltage Ratings**

Type number	Voltage Code	V <sub>RRM</sub> max. repetitive peak and off-state voltage V	V <sub>RSM</sub> , maximum non-repetitive peak voltage V	I <sub>RRM</sub> max. T <sub>J</sub> = 125°C mA
SD253N/R..S15	04	400	500	35
	08	800	900	
	10	1000	1100	
SD253N/R..S20	12	1200	1300	
	14	1400	1500	
	16	1600	1700	

**Forward Conduction**

Parameter	SD253N/R	Units	Conditions
I <sub>F(AV)</sub> Max. average forward current @ Case temperature	250	A	180° conduction, half sine wave.
	85	°C	
I <sub>F(RMS)</sub> Max. RMS current	392	A	DC @ 74°C case temperature
I <sub>FSM</sub> Max. peak, one-cycle non-repetitive forward current	5350	A	t = 10ms No voltage
	5600		t = 8.3ms reapplied
	4500		t = 10ms 100% V <sub>RRM</sub>
	4710		t = 8.3ms reapplied
I <sup>2</sup> t Maximum I <sup>2</sup> t for fusing	143	KA <sup>2</sup> s	t = 10ms No voltage
	130		t = 8.3ms reapplied
	101		t = 10ms 100% V <sub>RRM</sub>
	92		t = 8.3ms reapplied
I <sup>2</sup> /t Maximum I <sup>2</sup> /t for fusing	1430	KA <sup>2</sup> /s	t = 0.1 to 10ms, no voltage reapplied
V <sub>F(TO)1</sub> Low level of threshold voltage	0.87	V	(16.7% x π x I <sub>F(AV)</sub> < I < π x I <sub>F(AV)</sub> ), T <sub>J</sub> = T <sub>J</sub> max.
V <sub>F(TO)2</sub> High level of threshold voltage	1.17		(I > π x I <sub>F(AV)</sub> ), T <sub>J</sub> = T <sub>J</sub> max.
r <sub>f1</sub> Low level of forward slope resistance	0.62	mΩ	(16.7% x π x I <sub>F(AV)</sub> < I < π x I <sub>F(AV)</sub> ), T <sub>J</sub> = T <sub>J</sub> max.
r <sub>f2</sub> High level of forward slope resistance	0.29		(I > π x I <sub>F(AV)</sub> ), T <sub>J</sub> = T <sub>J</sub> max.
V <sub>FM</sub> Max. forward voltage	1.38	V	I <sub>pk</sub> = 785A, T <sub>J</sub> = 25°C, t <sub>p</sub> = 400 μs square pulse

**Recovery Characteristics**

Code	T <sub>J</sub> = 25°C typical t <sub>rr</sub> @ 25% I <sub>RRM</sub> (μs)	Test conditions			Max. values @ T <sub>J</sub> = 125°C			
		I <sub>pk</sub> Square Pulse (A)	di/dt (A/μs)	V <sub>r</sub> (V)	t <sub>rr</sub> @ 25% I <sub>RRM</sub> (μs)	Q <sub>rr</sub> (μC)	I <sub>rr</sub> (A)	
S15	1.5	750	25	-30	2.9	90	44	
S20	2.0				3.2	107	46	

**Thermal and Mechanical Specification**

Parameter	SD253N/R	Units	Conditions
T <sub>J</sub> Max. operating temperature range	-40 to 125	°C	
T <sub>stg</sub> Max. storage temperature range	-40 to 150		
R <sub>thJC</sub> Max. thermal resistance, junction to case	0.115	K/W	DC operation
R <sub>thCS</sub> Max. thermal resistance, case to heatsink	0.08		Mounting surface, smooth, flat and greased
T Mounting torque ± 10%	31	Nm	Not lubricated threads
	24.5		Lubricated threads
wt Approximate weight	250	g	
Case style	DO-205AB (DO-9)		See Outline Table

**ΔR<sub>thJC</sub> Conduction**

(The following table shows the increment of thermal resistance R<sub>thJC</sub> when devices operate at different conduction angles than DC)

Conduction angle	Sinusoidal conduction	Rectangular conduction	Units	Conditions
180°	0.010	0.008	K/W	T <sub>J</sub> = T <sub>J</sub> max.
120°	0.013	0.014		
90°	0.017	0.019		
60°	0.025	0.027		
30°	0.044	0.044		

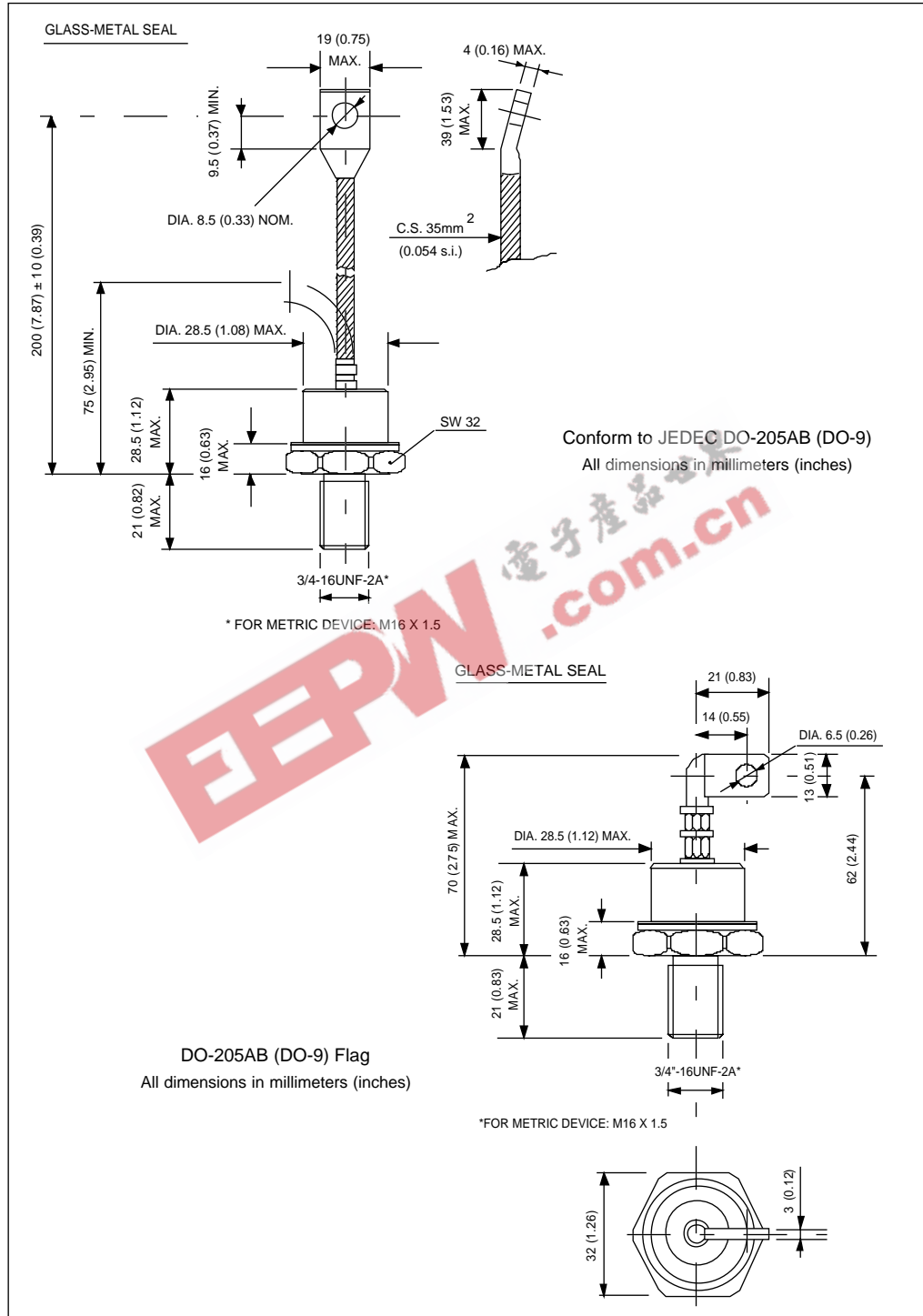
**Ordering Information Table**

Device Code																			
	<table border="1" style="margin: auto;"> <tr> <td style="background-color: black; color: white;">SD</td> <td style="background-color: black; color: white;">25</td> <td style="background-color: black; color: white;">3</td> <td style="background-color: black; color: white;">R</td> <td style="background-color: black; color: white;">16</td> <td style="background-color: black; color: white;">S20</td> <td style="background-color: black; color: white;">P</td> <td style="background-color: black; color: white;">B</td> <td style="background-color: black; color: white;">V</td> </tr> <tr> <td style="text-align: center;">①</td> <td style="text-align: center;">②</td> <td style="text-align: center;">③</td> <td style="text-align: center;">④</td> <td style="text-align: center;">⑤</td> <td style="text-align: center;">⑥</td> <td style="text-align: center;">⑦</td> <td style="text-align: center;">⑧</td> <td style="text-align: center;">⑨</td> </tr> </table>	SD	25	3	R	16	S20	P	B	V	①	②	③	④	⑤	⑥	⑦	⑧	⑨
SD	25	3	R	16	S20	P	B	V											
①	②	③	④	⑤	⑥	⑦	⑧	⑨											
1	- Diode																		
2	- Essential part number																		
3	- 3 = Fast recovery																		
4	- N = Stud Normal Polarity (Cathode to Stud) R = Stud Reverse Polarity (Anode to Stud)																		
5	- Voltage code: Code x 100 = V <sub>RRM</sub> (see Voltage Ratings table)																		
6	- t <sub>rr</sub> code (see Recovery Characteristics table)																		
7	- P = Stud base DO-205AB (DO-9) 3/4" 16UNF-2A M = Stud base DO-205AB (DO-9) M16 X 1.5																		
8	- B = Flag top terminals (for Cathode/ Anode Leads) S = Isolated lead with silicone sleeve (Red = Reverse Polarity; Blue = Normal Polarity) None = Not isolated lead																		
9	- V = Glass-metal seal																		

**SD253N/R Series**

Bulletin I2065 rev. A 09/94

Outline Table



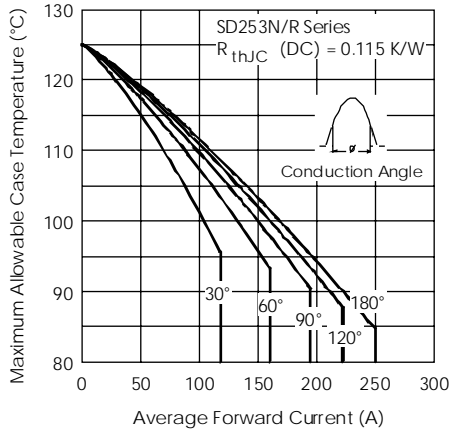


Fig. 1 - Current Ratings Characteristics

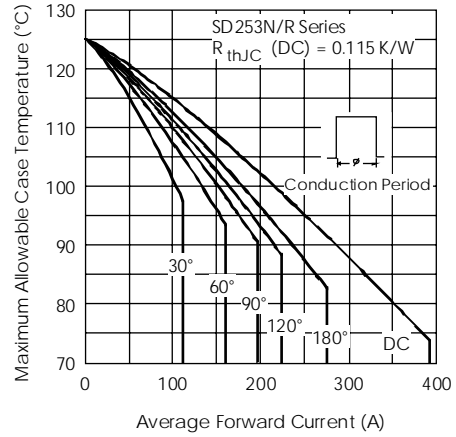


Fig. 2 - Current Ratings Characteristics

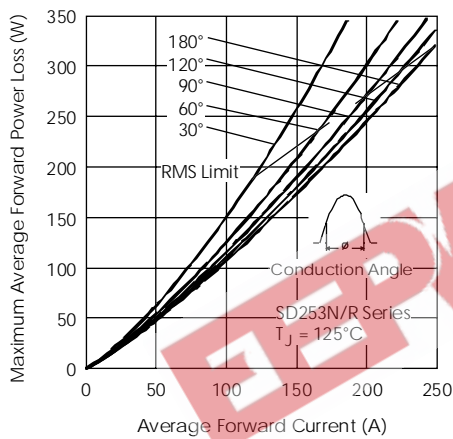


Fig. 3 - Forward Power Loss Characteristics

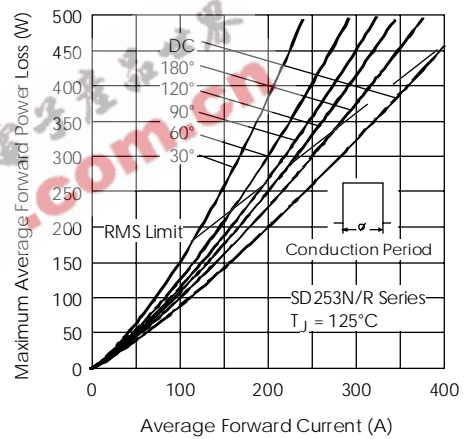


Fig. 4 - Forward Power Loss Characteristics

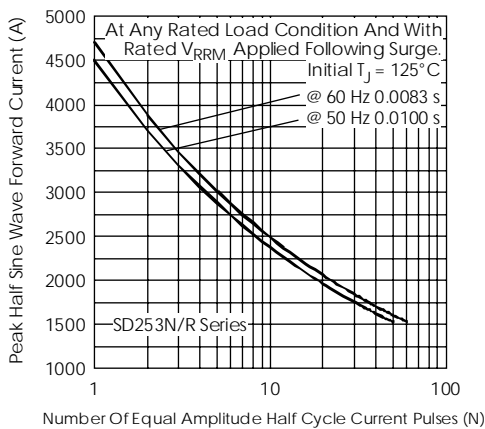


Fig. 5 - Maximum Non-repetitive Surge Current

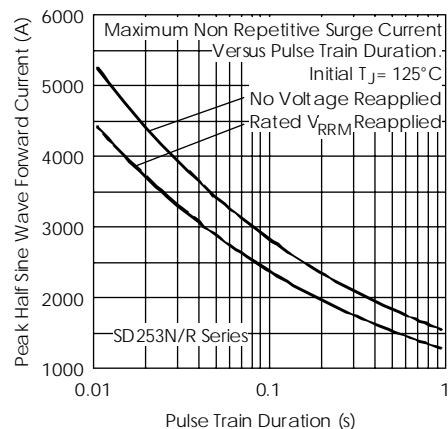


Fig. 6 - Maximum Non-repetitive Surge Current

# SD253N/R Series

Bulletin I2065 rev. A 09/94

International  
**IRF** Rectifier

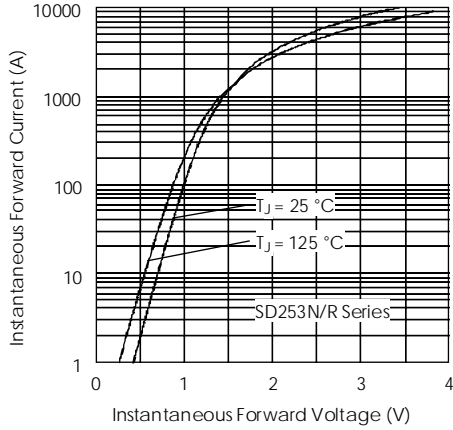


Fig. 7 - Forward Voltage Drop Characteristics

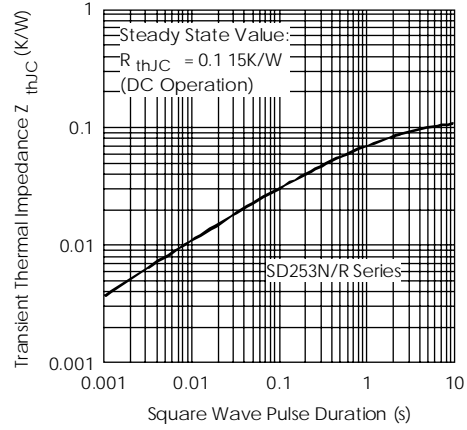


Fig. 8 - Thermal Impedance  $Z_{thJC}$  Characteristic

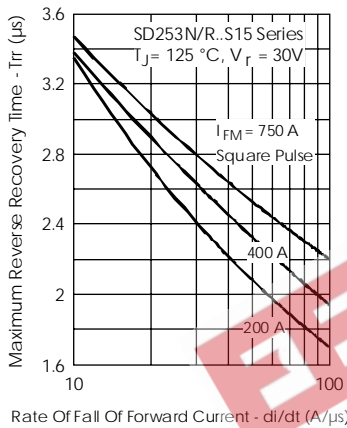


Fig. 9 - Recovery Time Characteristics

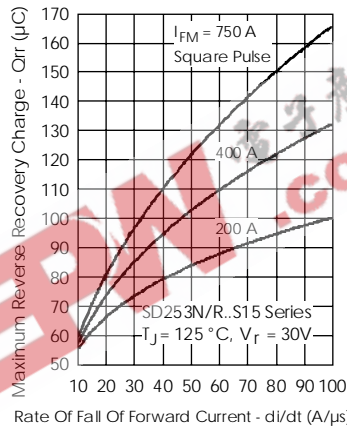


Fig. 10 - Recovery Charge Characteristics

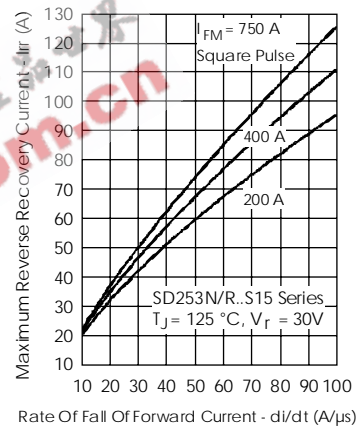


Fig. 11 - Recovery Current Characteristics

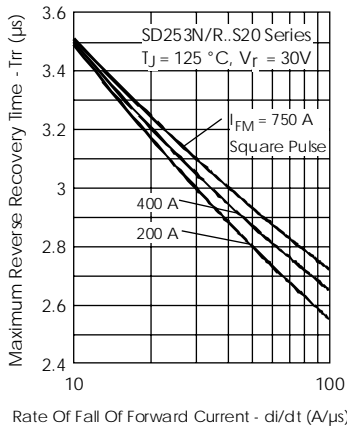


Fig. 12 - Recovery Time Characteristics

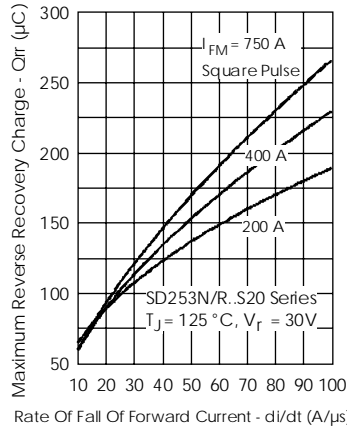


Fig. 13 - Recovery Charge Characteristics

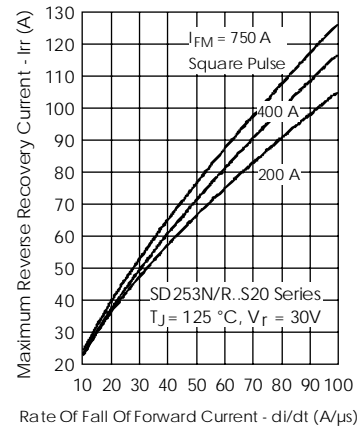


Fig. 14 - Recovery Current Characteristics

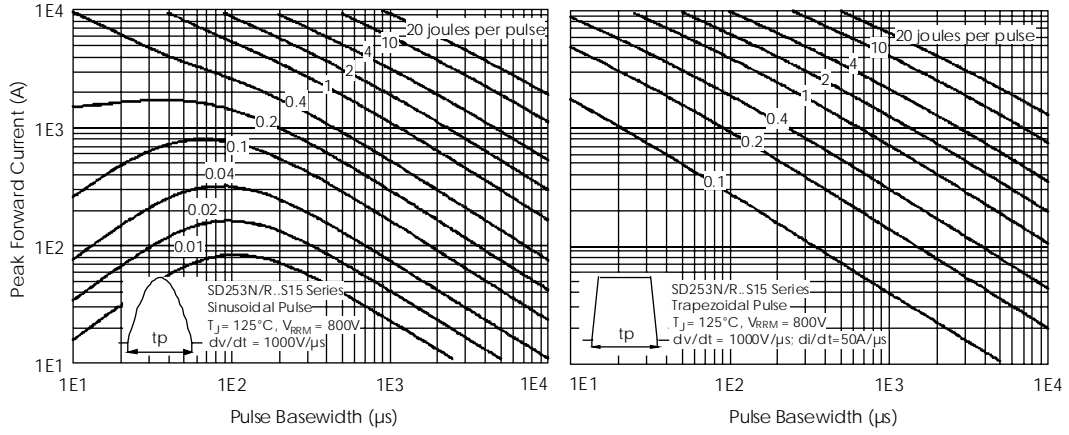


Fig. 15 - Maximum Total Energy Loss Per Pulse Characteristics

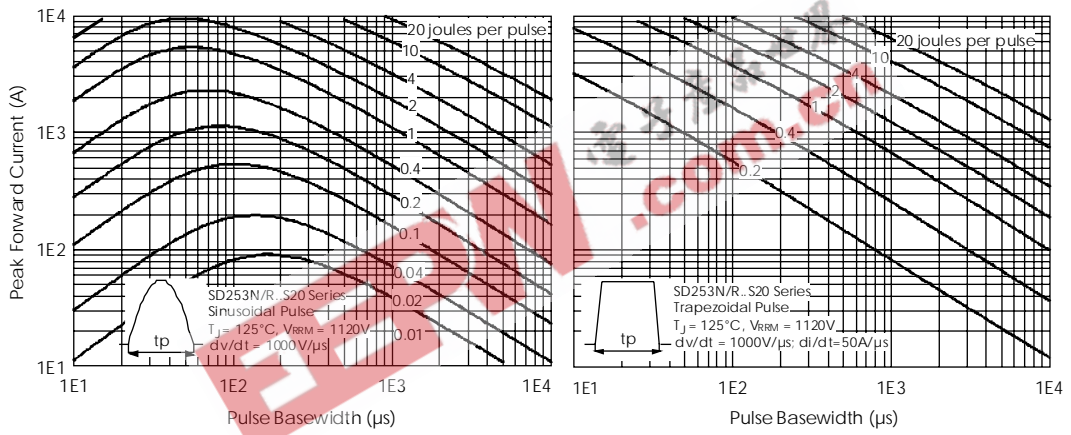


Fig. 16 - Maximum Total Energy Loss Per Pulse Characteristics