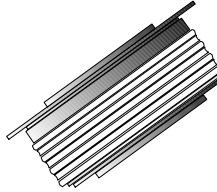




**Transys**  
**Electronics**  
**LIMITED**

**SD1100C(\*)L Series**  
**STANDARD RECOVERY DIODE**  
 $I_{F(AV)} = 1170 \text{ A}$ ,

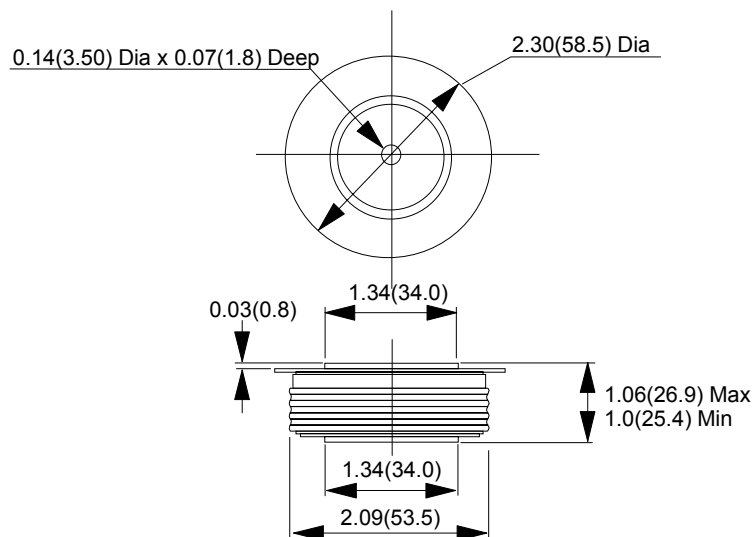


Case: B-Puk

MAXIMUM RATINGS (T <sub>j</sub> = 25 °C unless stated otherwise)											
Parameter	Symbol	SD1100C 04L	SD1100C 08L	SD1100C 12L	SD1100C 16L	SD1100C 20L	SD1100C 25L	SD1100C 30L	SD1100C 32L	Unit	
Repetitive Peak Reverse Voltage	V <sub>RRM</sub>	400	800	1200	1600	2000	2500	3000	3200	Volt	
Maximum Average On-State Current	I <sub>F(AV)</sub>	1170 at TC=55°C					910 at TC=55°C				Amp
Peak Forward Surge Current	I <sub>FSM</sub>	13600					11000				Amp
Maximum I <sup>2</sup> T for Fusing	I <sup>2</sup> T	772					503				A <sup>2</sup> /S
Maximum Storage Temperature Range	T <sub>(STG)</sub>	-55 to +200					-55 to +200				°C
Maximum Junction Temperature Range	T <sub>j</sub>	-40 to +180					-40 to +150				°C

ELECTRICAL CHARACTERISTICS at 25 °C Maximum Unless Stated				Value			Unit
Parameter	Symbol	Condition	Min	Typ	Max		
Maximum Forward Voltage	V <sub>FM</sub>	I <sub>pk</sub> = 1500 Amps 400-2000V			1.31	Volt	
Maximum Forward Voltage	V <sub>FM</sub>	I <sub>pk</sub> = 1500 Amps 2500-3200V			1.44	Volt	
Repetitive Peak Off- State Current at TC=175°C	I <sub>RRM</sub>	V <sub>R</sub> = V <sub>RRM</sub>			15.0	mA	
Thermal Resistance (Junction toHeatsink)	R <sub>TH (J-h)</sub>				0.11	°C/W	
Mounting Torque	M <sub>T</sub>				9800	NM	
Weight	Wt				250	grms	

**Mechanical Dimensions**



All Dimensions in Inches (Millimeters)  
 Third Angle Projection