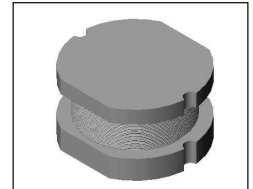


SMT Power Inductor

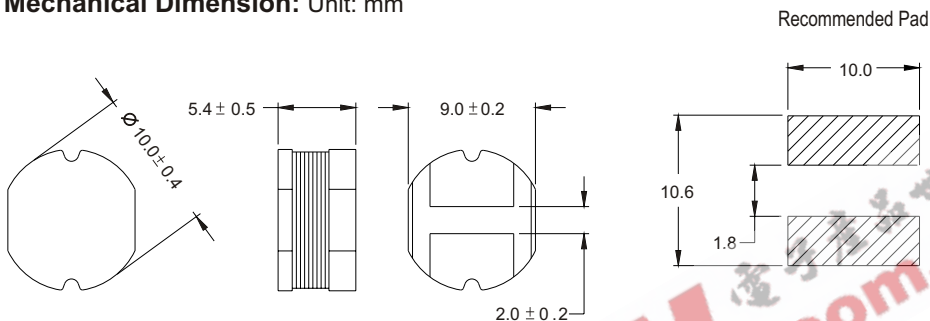
SI106 Type

Features

- Low profile (5.9mm max. height) SMD type.
- Unshielded.
- Self-leads, suitable for high density mounting.
- High energy storage and low DCR.
- Provided with embossed carrier tape packing.
- Ideal for power source circuits, DC-DC converter, DC-AC inverters inductor application.
- In addition to the standard versions shown here, custom inductors are available to meet your exact requirements.

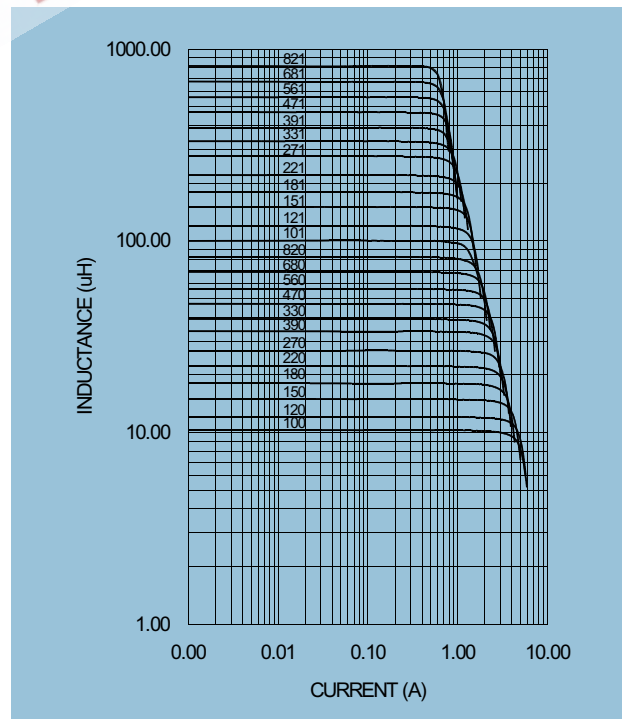


Mechanical Dimension: Unit: mm



Electrical Characteristics:

| PART NO. | L* (uH) | DCR (Ω) MAX | RATED** (A dc) |
|-------------|------------|----------------|-------------------|
| SI106 - 100 | 10 | 0.06 | 2.60 |
| SI106 - 120 | 12 | 0.07 | 2.45 |
| SI106 - 150 | 15 | 0.08 | 2.27 |
| SI106 - 180 | 18 | 0.09 | 2.15 |
| SI106 - 220 | 22 | 0.10 | 1.95 |
| SI106 - 270 | 27 | 0.11 | 1.76 |
| SI106 - 330 | 33 | 0.12 | 1.50 |
| SI106 - 390 | 39 | 0.14 | 1.37 |
| SI106 - 470 | 47 | 0.17 | 1.28 |
| SI106 - 560 | 56 | 0.19 | 1.17 |
| SI106 - 680 | 68 | 0.22 | 1.11 |
| SI106 - 820 | 82 | 0.25 | 1.00 |
| SI106 - 101 | 100 | 0.35 | 0.97 |
| SI106 - 121 | 120 | 0.40 | 0.89 |
| SI106 - 151 | 150 | 0.47 | 0.78 |
| SI106 - 181 | 180 | 0.63 | 0.72 |
| SI106 - 221 | 220 | 0.73 | 0.66 |
| SI106 - 271 | 270 | 0.97 | 0.57 |
| SI106 - 331 | 330 | 1.15 | 0.52 |
| SI106 - 391 | 390 | 1.30 | 0.48 |
| SI106 - 471 | 470 | 1.48 | 0.42 |
| SI106 - 561 | 560 | 1.90 | 0.33 |
| SI106 - 681 | 680 | 2.25 | 0.28 |
| SI106 - 821 | 820 | 2.55 | 0.24 |



★ Tolerance of inductance
10~820uH±10%

★★ I_{RATED}: rated current. ΔL<10%, ΔT<45°C at I_{RATED}

★★★ Operating temperature: -20°C to 105°C (including self-temperature rise)

★★★★ Test condition at 25°C: 1KHz, 1V



DELTA ELECTRONICS, INC.

(TAOYUAN PLANT CPBG) 252, SAN YING ROAD, KUEISAN INDUSTRIAL ZONE, TAOYUAN SHIEN, 333, TAIWAN, R.O.C.

TEL: 886-3-3591968; FAX: 886-3-3591991

http://www.deltaww.com