

DATA SHEET

SMP1321 Series: Low Capacitance Plastic Packaged PIN Diodes

Features

- Designed for high performance wireless switch applications
- 0.25 pF capacitance specified
- Available lead (Pb)-free MSL-1 @ 250 °C per JEDEC J-STD-020
- Available in tape and reel packaging

Description

The SMP1321 series of plastic packaged, surface mountable PIN diodes are designed for high volume switch applications from 10 MHz to beyond 2 GHz. The low capacitance of these diodes (0.25 pF) combined with its low resistance (2.0 Ω maximum at 10 mA) make the SMP1321 series particularly suited to high isolation series connected PIN diode switches in battery operated circuits. Available in a selection of plastic packages and in a variety of configurations including a low inductance (0.4 nH) SOT-23 (SMP1321-007), the small footprint SC-79 and the miniature SC-70. The SMP1321-508 has been specifically designed for WLAN 802.11 a, b, and g applications.

NEW Skyworks offers lead (Pb)-free “environmentally friendly” packaging that is RoHS compliant (European Parliament for the Restriction of Hazardous Substances).



Absolute Maximum Ratings

Characteristic	Value
Reverse voltage (V_R)	100 V
Power dissipation @ 25 °C lead temperature (P_D)	250 mW
Storage temperature (T_{ST})	-65 °C to +150 °C
Operating temperature (T_{OP})	-65 °C to +150 °C
ESD human body model	Class 1B

Performance is guaranteed only under the conditions listed in the specifications table and is not guaranteed under the full range(s) described by the Absolute Maximum specifications. Exceeding any of the absolute maximum/minimum specifications may result in permanent damage to the device and will void the warranty.

CAUTION: Although this device is designed to be as robust as possible, Electrostatic Discharge (ESD) can damage this device. This device must be protected at all times from ESD. Static charges may easily produce potentials of several kilovolts on the human body or equipment, which can discharge without detection. Industry-standard ESD precautions must be employed at all times.

DATA SHEET • SMP1321 SERIES

Single	Common Anode	Common Cathode	Series Pair	Low Inductance	Single	Single	Anti-Parallel
SOT-23	SOT-23	SOT-23	SOT-23	SOT-23	SOD-323	SC-79	LGA
SMP1321-001	SMP1321-003	SMP1321-004	SMP1321-005	SMP1321-007	SMP1321-011	SMP1321-079	SMP1321-508 Lead (Pb)-Free
Marking: PM1	Marking: PM9	Marking: PM3	Marking: PM2	Marking: PMB	Marking: PM		Marking: H
	SMP1321-003LF	SMP1321-004LF	SMP1321-005LF		SMP1321-011LF	SMP1321-079LF	
	Marking: RM9	Marking: RM3	Marking: RM2		Marking: RM		
$L_S = 1.5 \text{ nH}$	$L_S = 1.5 \text{ nH}$	$L_S = 1.5 \text{ nH}$	$L_S = 1.5 \text{ nH}$	$L_S = 0.4 \text{ nH}$	$L_S = 1.5 \text{ nH}$	$L_S = 0.7 \text{ nH}$	$L_S = 0.6 \text{ nH}$
	SC-70		SC-70	SC-70			
	SMP1321-073		SMP1321-074	SMP1321-075			
	Marking: PM9		Marking: PM2	Marking: PMB			
	$L_S = 1.4 \text{ nH}$		$L_S = 1.4 \text{ nH}$	$L_S = 1.4 \text{ nH}$			

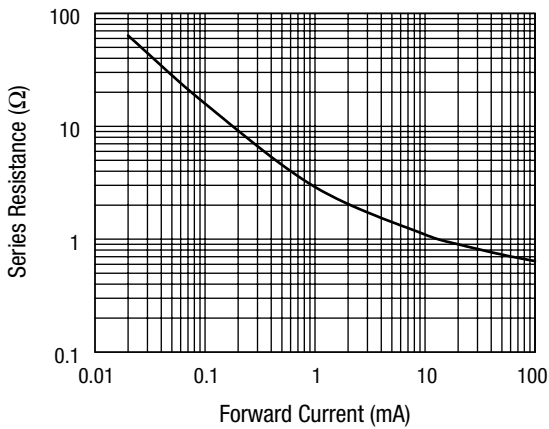
LF denotes lead (Pb)-free packaging option as an alternative to our standard tin/lead (Sn/Pb) packaging.

Electrical Specifications at 25 °C

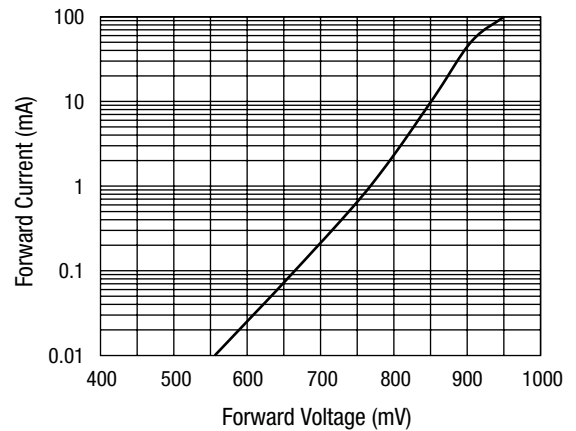
Parameter	Condition	Typ.	Max.	Unit
Reverse current (I_R)	$V_R = 100 \text{ V}$		10	μA
Capacitance (C_T) ⁽¹⁾	$F = 1 \text{ MHz}, V = 30 \text{ V}$		0.25	pF
Resistance (R_S)	$F = 100 \text{ MHz}, I = 1 \text{ mA}$	3.00		Ω
Resistance (R_S)	$F = 100 \text{ MHz}, I = 10 \text{ mA}$		2.00	Ω
Forward voltage (V_F)	$I_F = 10 \text{ mA}$	0.85		V
Carrier lifetime (TI)	$I_F = 10 \text{ mA}$	0.40		μs
I region width		15		μm

1. The SMP1321-007 maximum capacitance is 0.40 pF.

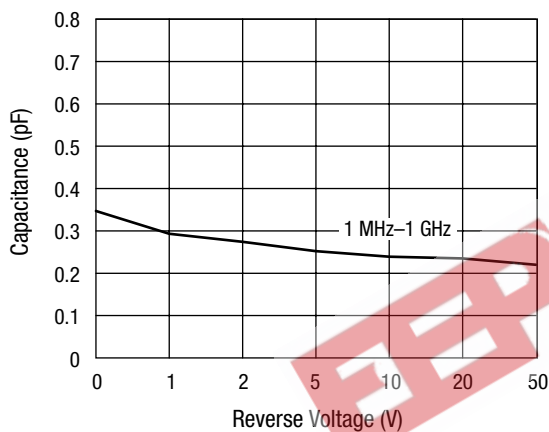
Typical Performance Data



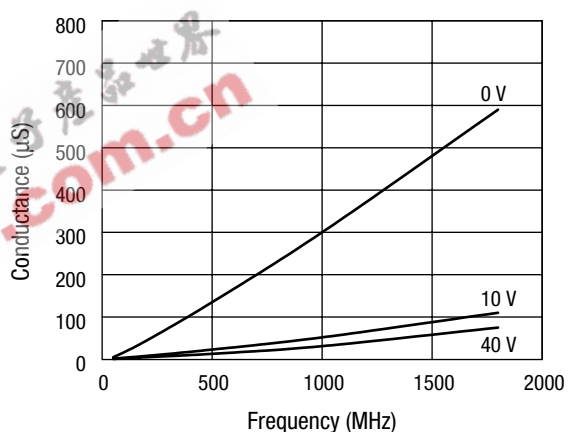
Series Resistance vs. Current @ 100 MHz



DC Characteristic



Capacitance vs. Reverse Voltage



Conductance vs. Frequency and Reverse Voltage

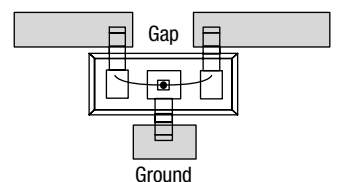
Resistance vs. Temperature @ 500 MHz

I_F (mA)	R -55 °C (Ω)	R -15 °C (Ω)	R +25 °C (Ω)	R +65 °C (Ω)	R +100 °C (Ω)
0.02	47.400	50.000	56.300	61.500	65.100
0.10	12.000	12.600	13.900	15.400	16.400
0.30	5.200	5.400	5.800	6.400	6.900
0.50	3.600	3.800	4.100	4.500	4.800
1.00	2.400	2.500	2.600	2.800	3.100
10.00	1.030	1.040	1.040	1.070	1.150
20.00	0.871	0.888	0.873	0.889	0.956
100.00	0.669	0.659	0.642	0.645	0.695

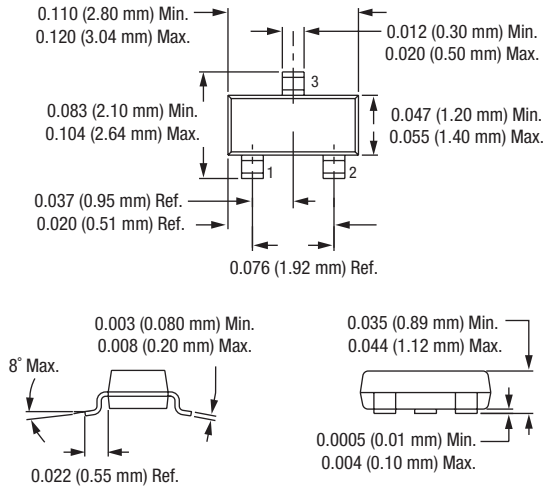
SMP1321-007

In the -007 configuration of the SOT-23 package, the package inductance is effectively reduced to 0.4 nH, in comparison to the 1.5 nH value of the standard configuration. This lower inductance will be particularly beneficial when the diodes are used as shunt connected switches at frequencies higher than 500 MHz, where inductance is the primary limitation on maximum switch isolation.

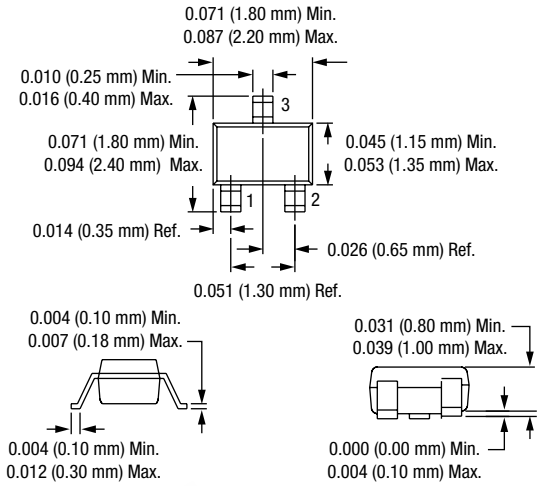
To achieve the effective 0.4 nH, the SOT-23 package must be inserted in the microstrip circuit board with a gap in the trace, as shown in the figure. Because of the polarity of the diode junction, this low inductance feature is only realizable with the cathode connected to ground.



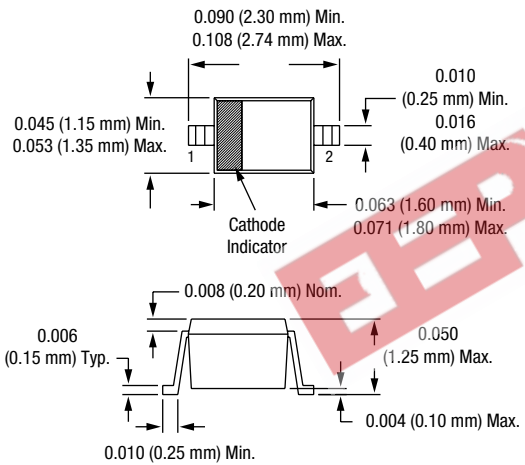
SOT-23



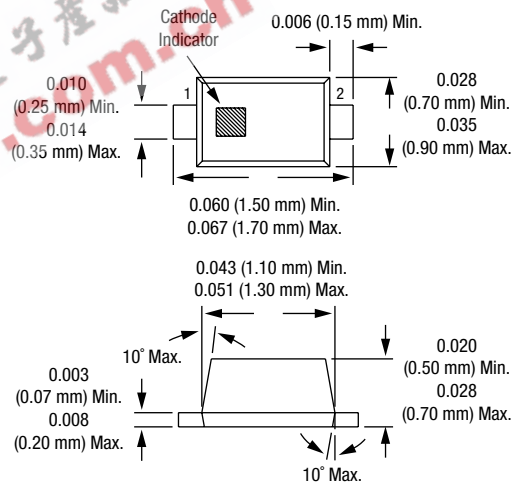
SC-70



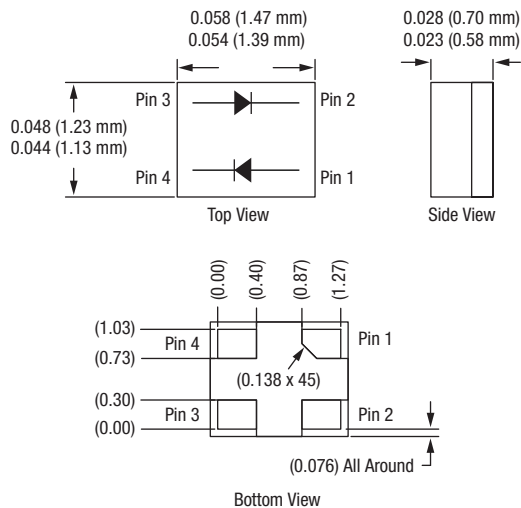
SOD-323



SC-79



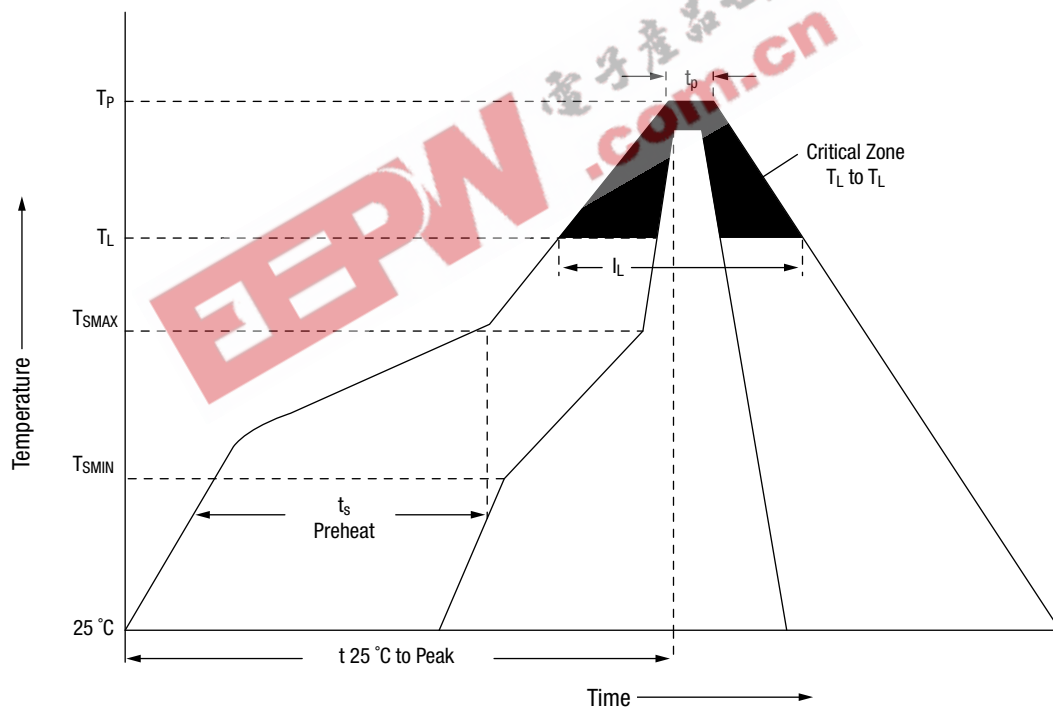
LGA



Recommended Solder Reflow Profiles

Profile Feature	SnPb Eutectic Assembly	Lead (Pb)-Free Assembly 100% Sn
Average ramp-up rate (T_L to T_P)	3 °C/second max.	3 °C/second max.
Preheat Temperature min. (T_{SMIN}) Temperature max. (T_{SMAX}) Time (min. to max.) (t_s)	100 °C 150 °C 60–120 seconds	150 °C 200 °C 60–80 seconds
T_{SMAX} to T_L Ramp-up rate	—	3 °C/second max.
Time maintained above: Temperature (T_L) Time (t_L)	183 °C 60–150 seconds	217 °C 60–150 seconds
Peak temperature (T_P)	240 +0/-5 °C	250 +0/-5 °C
Time within 5 °C of actual peak temperature (t_p)	10–30 seconds	20–40 seconds
Ramp-down rate	6 °C/second max.	6 °C/second max.
Time 25 °C to peak temperature	6 minutes max.	8 minutes max.

All temperatures refer to the topside of the package, measured on the package body surface.
Reference JEDEC J-STD-020B.





Copyright © 2002, 2003, 2004, Skyworks Solutions, Inc. All Rights Reserved.

Information in this document is provided in connection with Skyworks Solutions, Inc. ("Skyworks") products. These materials are provided by Skyworks as a service to its customers and may be used for informational purposes only by the customer. Skyworks assumes no responsibility for errors or omissions in these materials. Skyworks may make changes to its documentation, products, specifications and product descriptions at any time, without notice. Skyworks makes no commitment to update the information and shall have no responsibility whatsoever for conflicts, incompatibilities, or other difficulties arising from future changes to its documentation, products, specifications and product descriptions.

No license, express or implied, by estoppel or otherwise, to any intellectual property rights is granted by or under this document. Except as may be provided in Skyworks Terms and Conditions of Sale for such products, Skyworks assumes no liability whatsoever in association with its documentation, products, specifications and product descriptions.

THESE MATERIALS ARE PROVIDED "AS IS" WITHOUT WARRANTY OF ANY KIND, EITHER EXPRESS OR IMPLIED OR OTHERWISE, RELATING TO SALE AND/OR USE OF SKYWORKS PRODUCTS INCLUDING WARRANTIES RELATING TO FITNESS FOR A PARTICULAR PURPOSE, MERCHANTABILITY, PERFORMANCE, QUALITY OR NON-INFRINGEMENT OF ANY PATENT, COPYRIGHT OR OTHER INTELLECTUAL PROPERTY RIGHT. SKYWORKS FURTHER DOES NOT WARRANT THE ACCURACY OR COMPLETENESS OF THE INFORMATION, TEXT, GRAPHICS OR OTHER ITEMS CONTAINED WITHIN THESE MATERIALS. SKYWORKS SHALL NOT BE LIABLE FOR ANY DAMAGES, INCLUDING SPECIAL, INDIRECT, INCIDENTAL, OR CONSEQUENTIAL DAMAGES, INCLUDING WITHOUT LIMITATION, LOST REVENUES OR LOST PROFITS THAT MAY RESULT FROM THE USE OF THESE MATERIALS WHETHER OR NOT THE RECIPIENT OF MATERIALS HAS BEEN ADVISED OF THE POSSIBILITY OF SUCH DAMAGE.

Skyworks products are not intended for use in medical, lifesaving or life-sustaining applications. Skyworks customers using or selling Skyworks products for use in such applications do so at their own risk and agree to fully indemnify Skyworks for any damages resulting from such improper use or sale.

The following are trademarks of Skyworks Solutions, Inc.: Skyworks™, the Skyworks logo, and Breakthrough Simplicity™. Product names or services listed in this publication are for identification purposes only, and may be trademarks of Skyworks or other third parties. Third-party brands and names are the property of their respective owners. Additional information, posted at www.skyworksinc.com, is incorporated by reference.