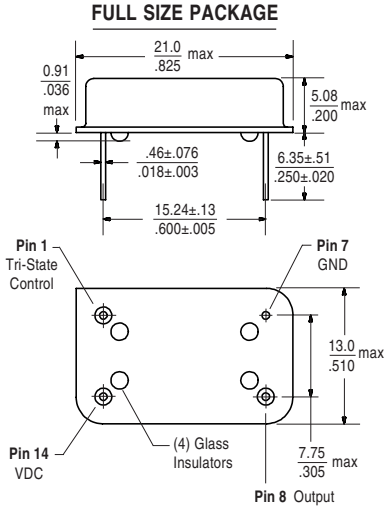


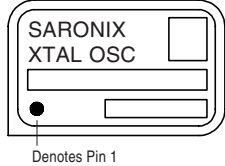
Technical Data

ST41xx Series

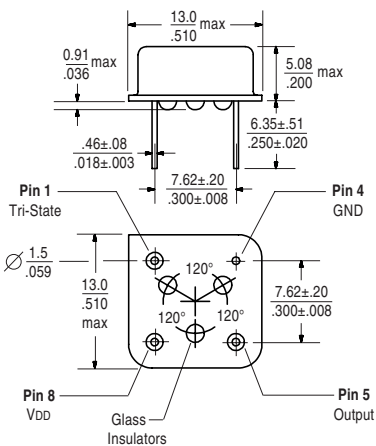
Package Details



Standard Marking Format **
Includes Date Code, Frequency, Part Number



HALF SIZE PACKAGE



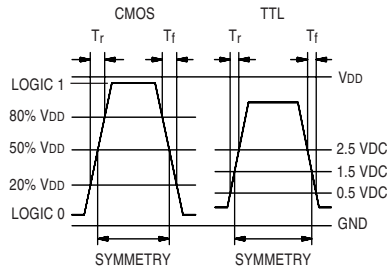
Standard Marking Format **
Includes Date Code, Frequency, Part Number



** Exact location of items may vary

Scale: None (Dimensions in $\frac{\text{mm}}{\text{inches}}$)

Output Waveform

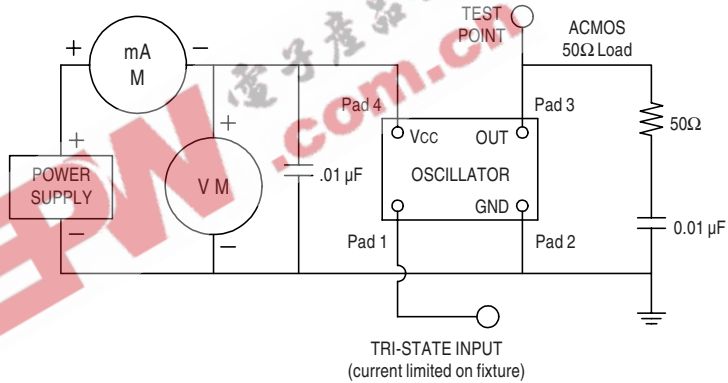


Tri-State Logic Table

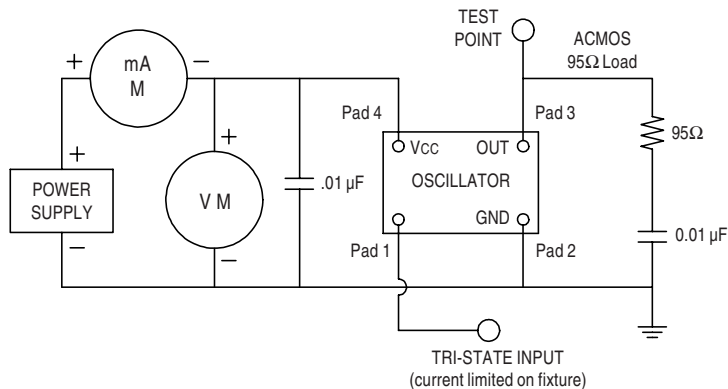
Pin 1 Input	Pin 8 (5) Output
Logic 1 or NC	Oscillation
Logic 0 or GND	High Impedance

Required Input Levels on Pin 1:
Logic 1 = 2.2V min
Logic 0 = 0.8V max

Test Circuits



50Ω AC MOS TEST CIRCUIT



95Ω AC MOS TEST CIRCUIT

All specifications are subject to change without notice.

True SMD Adaptor - 7.57mm High

Technical Data

