

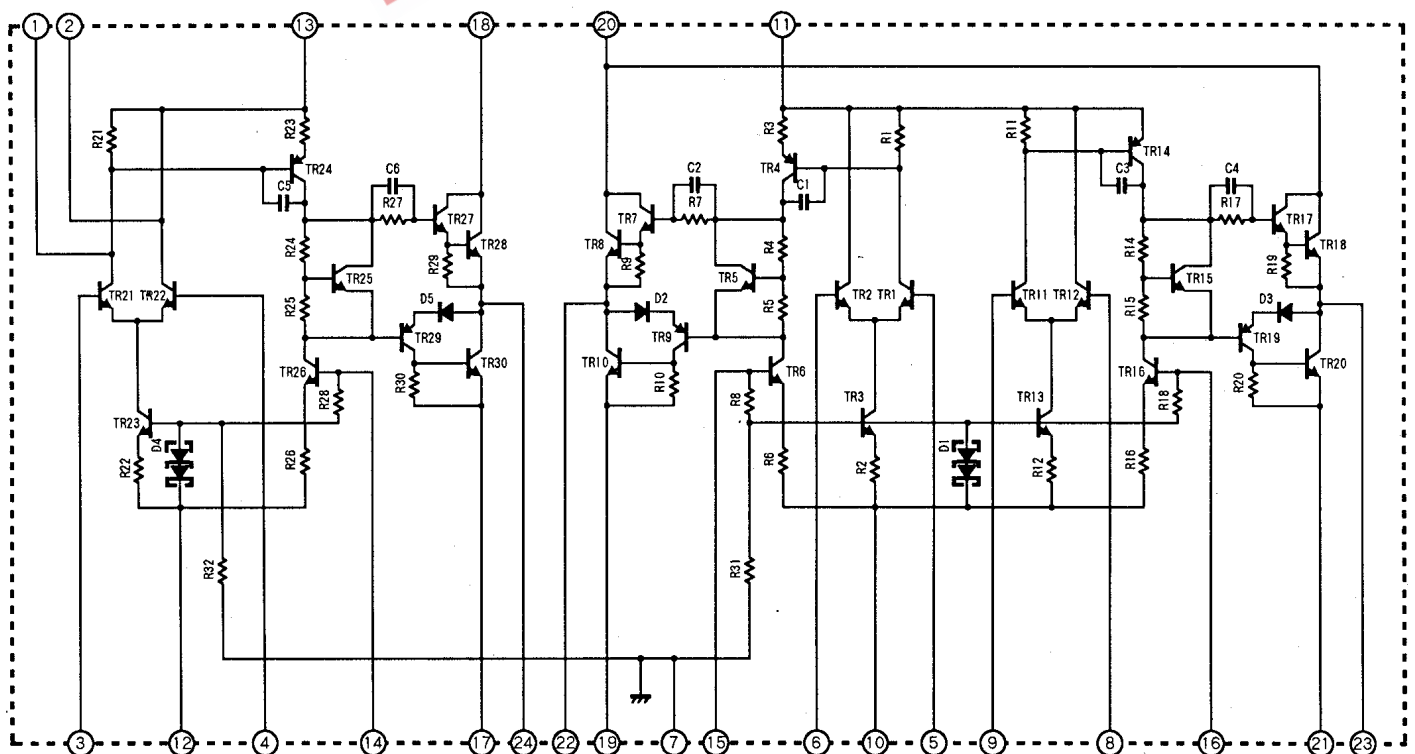
STK4159MK2 Series

★3ch./1package, ± Power Supply
 ★L & Rch. 15W/ch. ~50W/ch. Cch. 30W~100W
 ★THD = 0.4%

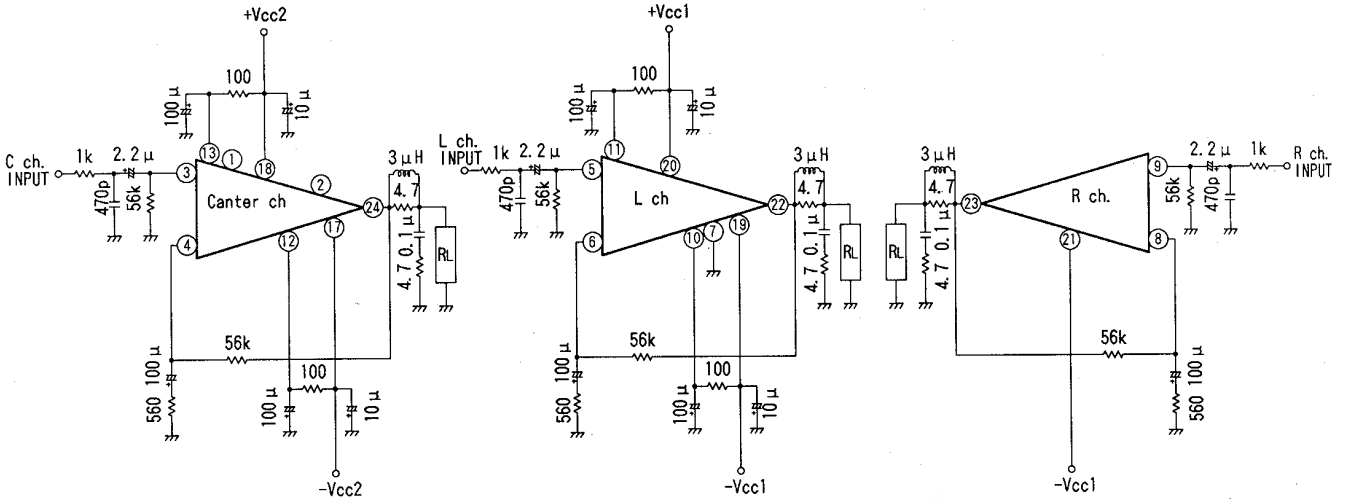
| Model | Maximum Ratings 最大定格 [V] | | Recommended Operating Conditions 推奨動作条件 [V] | | Operating Characteristics (Recommend Operating Conditions at Test Circuit) 動作特性(Test Circuitにて 推奨動作条件による) | |
|-------------|--------------------------------|----------|--|-------|---|--------------------------------------|
| | Vcc1 max | Vcc2 max | Vcc1 | Vcc2 | Po max RL=8Ω f=20~20kHz [W] | THD (V _G =40dB) [%] |
| STK4159MK2 | ±30.5 | ±42.0 | ±21.0 | ±27.5 | 15 + 30 + 15 | 0.4 |
| STK4169MK2 | ±30.5 | ±45.0 | ±21.0 | ±30.0 | 15 + 35 + 15 | 0.4 |
| STK4179MK2 | ±34.5 | ±48.0 | ±23.0 | ±32.0 | 20 + 40 + 20 | 0.4 |
| STK4189MK2 | ±34.5 | ±50.0 | ±23.0 | ±33.5 | 20 + 45 + 20 | 0.4 |
| *STK4199MK2 | ±40.0 | ±52.5 | ±27.0 | ±35.0 | 25 + 50 + 25 | 0.4 |
| STK4209MK2 | ±42.0 | ±55.0 | ±28.0 | ±38.0 | 30 + 60 + 30 | 0.4 |
| *STK4219MK2 | ±45.0 | ±60.0 | ±30.5 | ±42.0 | 35 + 70 + 35 | 0.4 |
| STK4229MK2 | ±48.0 | ±65.0 | ±32.0 | ±45.0 | 40 + 80 + 40 | 0.4 |
| STK4239MK2 | ±52.5 | ±70.0 | ±35.0 | ±51.0 | 50 + 100 + 50 | 0.4 |

* Under mass production

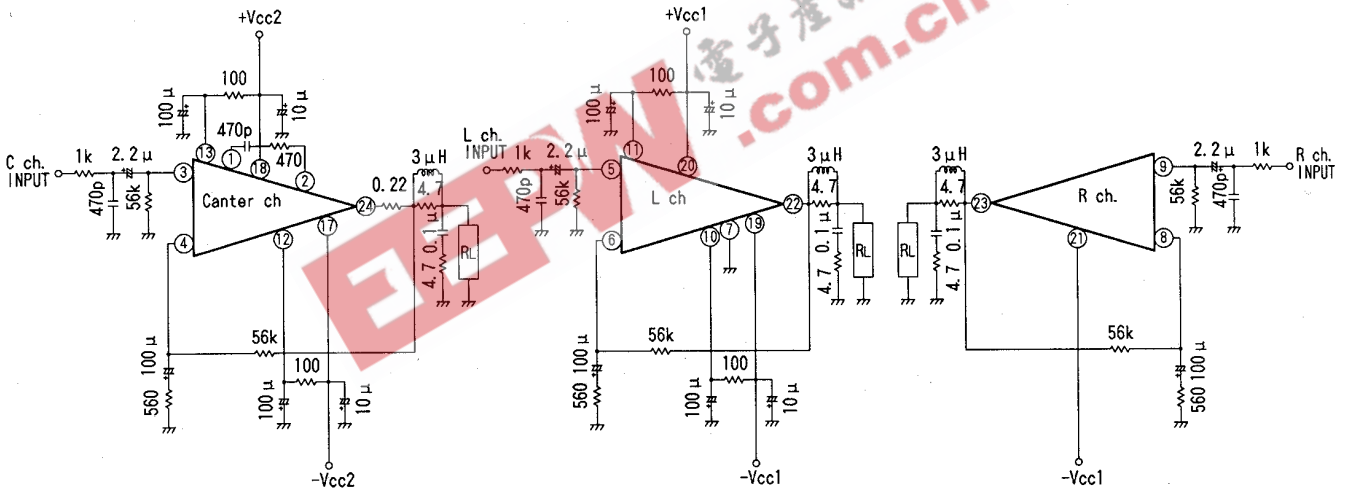
Equivalent Circuit



■ Test Circuit
 @STK4159MK2 ~ STK4199MK2



① STK4209MK2 ~ STK4239MK2



■ Case Outline

