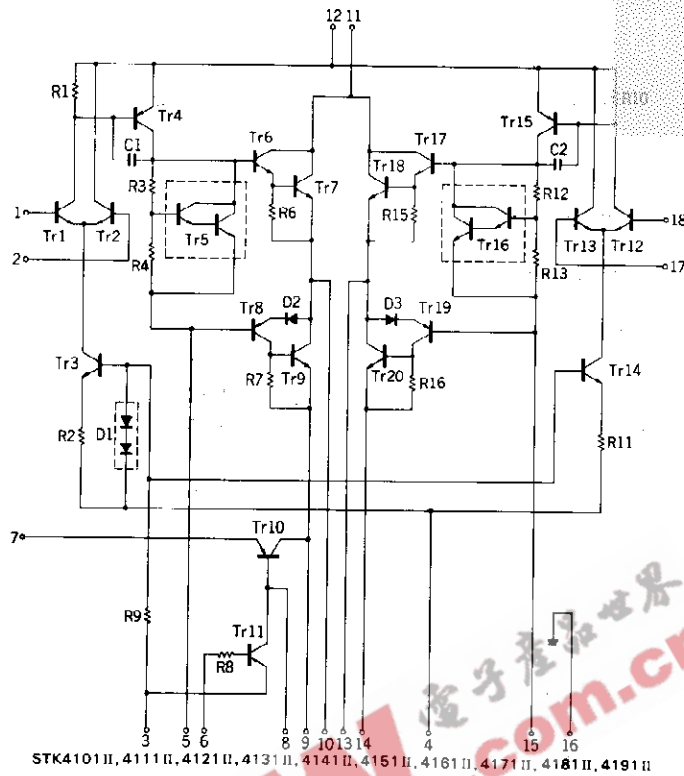


EQUIVALENT CIRCUIT



APPLICATION

