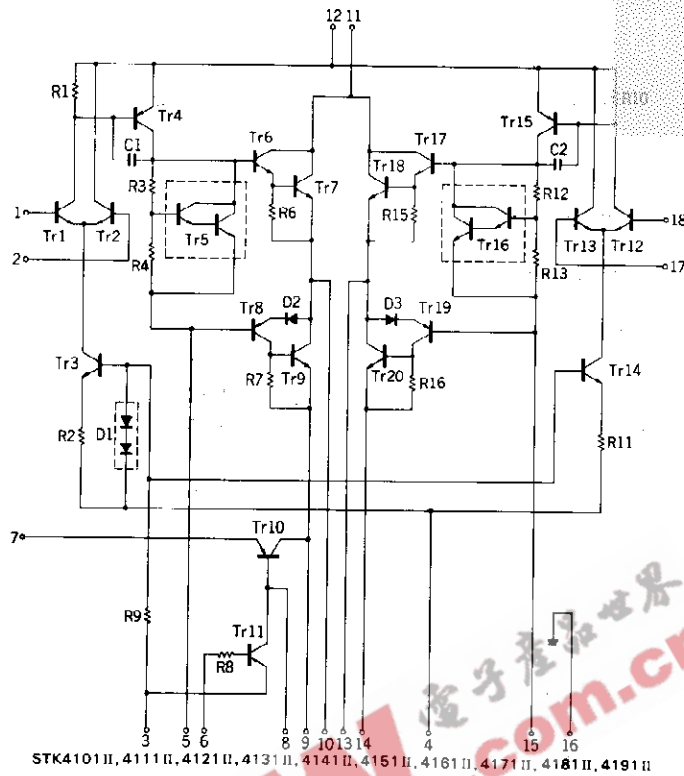




### EQUIVALENT CIRCUIT



### APPLICATION

