

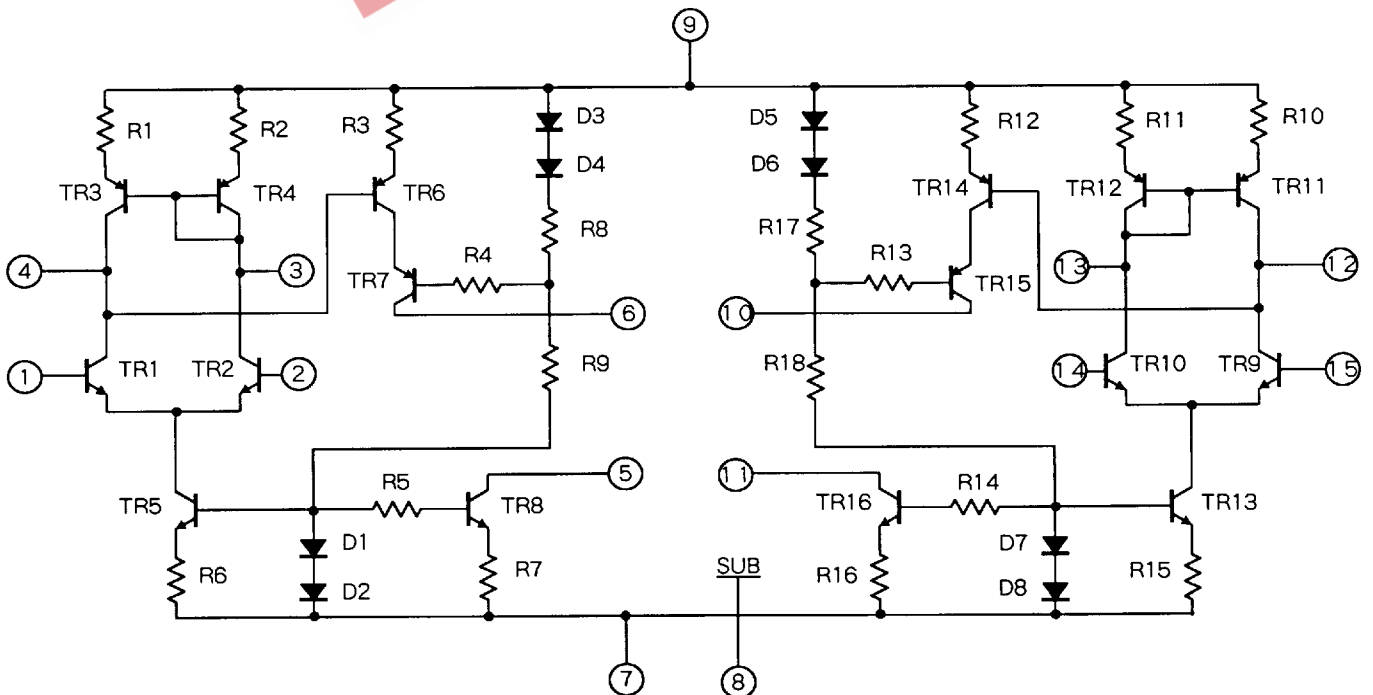
# STK3042 III Series

- ★2ch./1package, ± Power Supply
- ★Voltage Amplifier
- ★THD = 0.005%

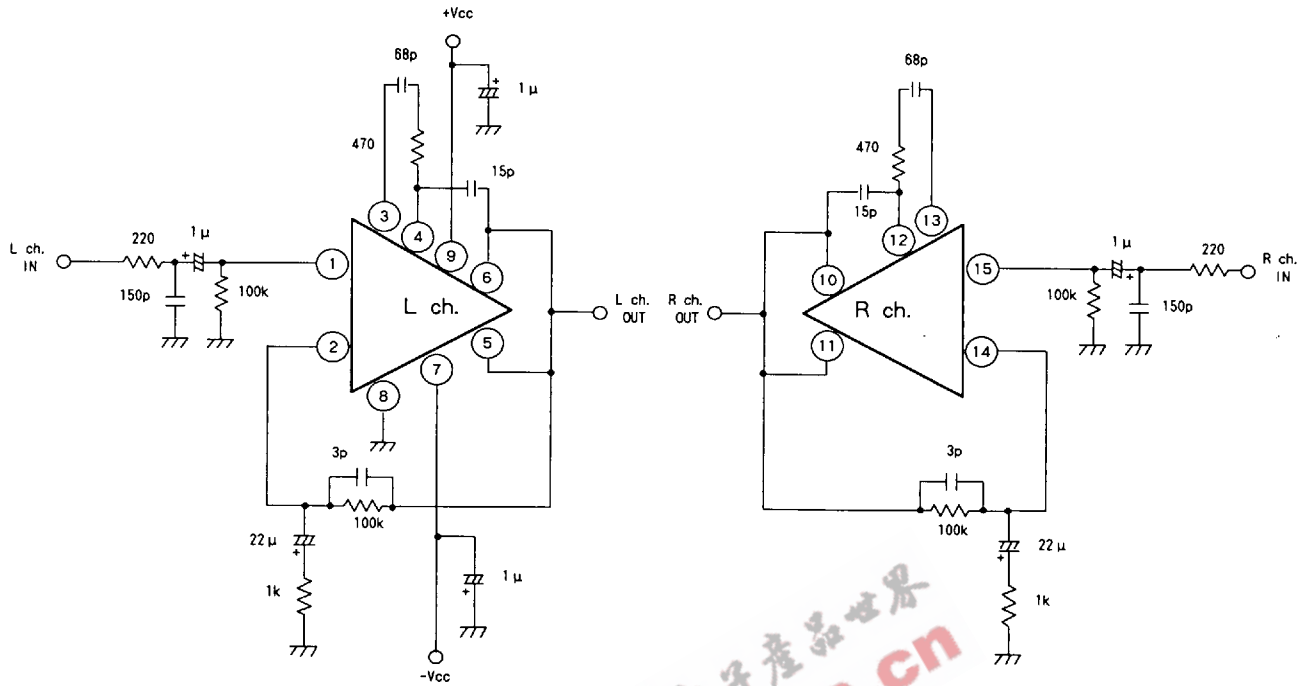
Model	Maximum Ratings 最大定格	Recommended Operating Conditions 推奨動作条件 (V)	Operating Characteristics (Recommend Operating Conditions at Test Circuit) 動作特性(Test Circuitにて 推奨動作条件による)	
	Vcc max (V)	Vcc (V)	Po max RL=8Ω f=20~20kHz (W)	THD (V <sub>G</sub> =40dB) (%)
*STK3042 III	±55	±36	40 ~ 60	0.005
*STK3062 III	±59	±41	60 ~ 80	0.005
*STK3082 III	±65	±47	80 ~ 90	0.005
*STK3102 III	±75	±50	90 ~ 100	0.005
*STK3122 III	±80	±55	100 ~ 120	0.005
*STK3152 III	±90	±60	120 ~ 150	0.005

\* Under mass production

## Equivalent Circuit

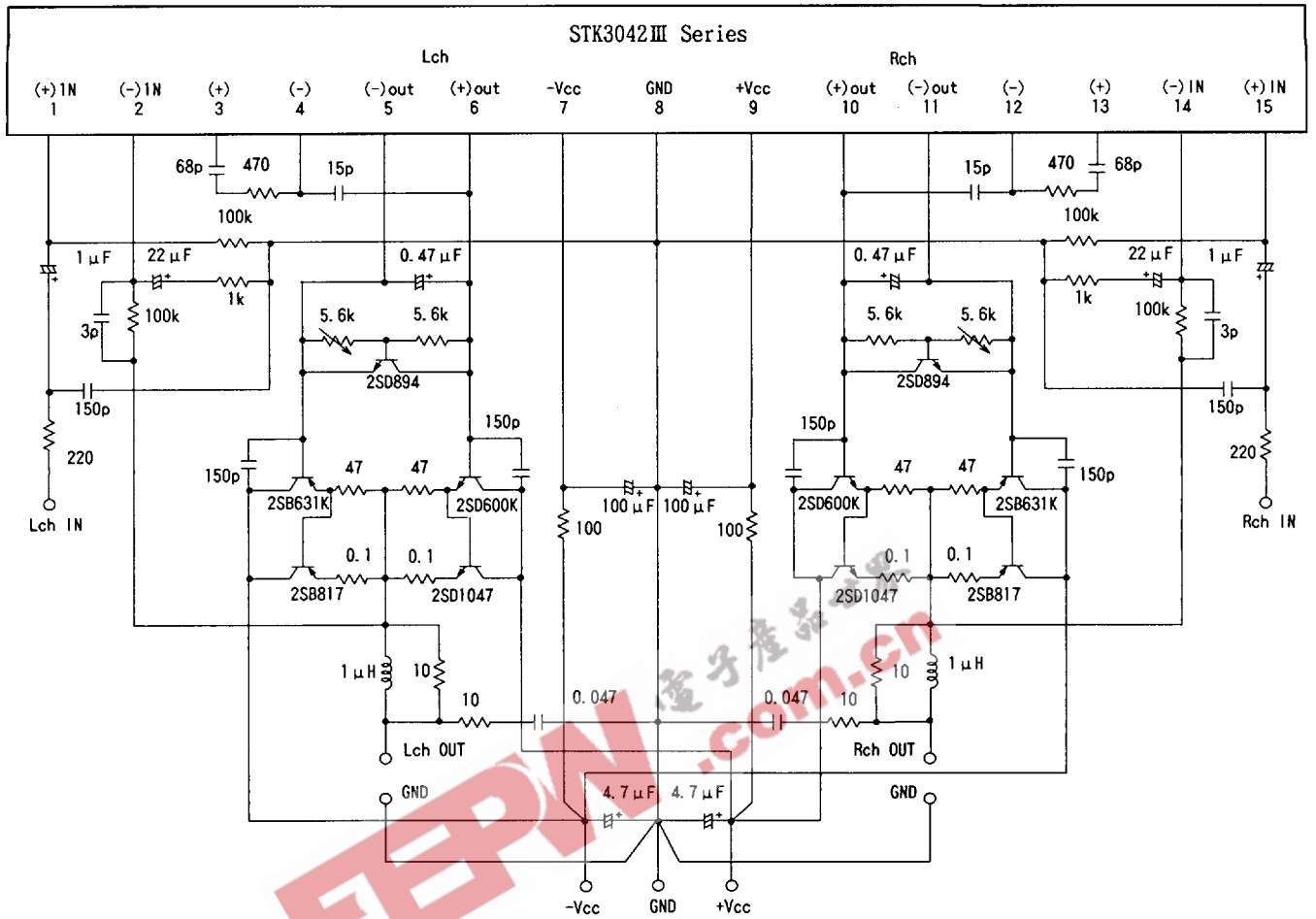


■ Test Circuit



STK Audio Power Amplifier

■ Application



■ Case Outline

