

<b>SANYO</b>	No. 5178	<b>STK405-050</b>
	<b>2ch AF Power Amplifier (Split Power Supply) 30W + 30W min, THD = 10%</b>	

## Overview

The STK405-050, a member of the STK405-000 series, is a low-cost, 2-channel audio power amplifier hybrid IC that is ideal for a wide range of stereo sets. It has dedicated  $6\Omega$  output drive, in contrast with the STK401-000 series which supports  $6\Omega/3\Omega$  output drive.

## Features

- Class B amplifiers
- Output load impedance  $R_L = 6\Omega$  support
- EIAJ-output compatible ( $f = 1\text{kHz}$ , THD = 10%)
- Low supply switching shock noise
- Pin assignment grouped into individual blocks of inputs, outputs and supply lines to minimize the adverse effects of pattern layout on operating characteristics
- External bootstrap circuit not necessary
- Standby operation possible using external circuit
- Voltage gain  $V_G = 26\text{dB}$  for easy gain distribution within the set
- Member of 10W/ch to 80W/ch pin-compatible series

## Series Organization

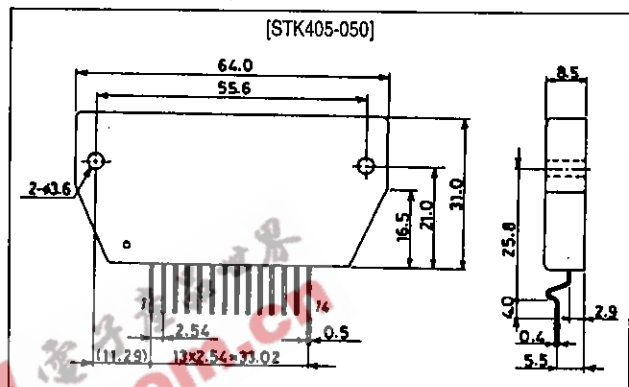
The following devices form a series with differing output capacity. Some of the following devices are under development. Contact your Sanyo sales representative if you require more detailed information.

Type No.	Output power	Supply voltage [V]	
		$V_{CC\text{ max}}$	$V_{CC}$
STK405-010	10W + 10W	$\pm 26.0$	$\pm 14.0$
STK405-030	20W + 20W	$\pm 30.5$	$\pm 18.5$
STK405-050	30W + 30W	$\pm 34.5$	$\pm 22.0$
STK405-070	40W + 40W	$\pm 39.0$	$\pm 25.0$
STK405-090	50W + 50W	$\pm 42.0$	$\pm 26.5$
STK405-100	60W + 60W	$\pm 45.0$	$\pm 29.0$
STK405-110	70W + 70W	$\pm 50.0$	$\pm 31.0$
STK405-120	80W + 80W	$\pm 52.5$	$\pm 33.0$

## Package Dimensions

unit: mm

4158



## Specifications

### Maximum Ratings at $T_a = 25^\circ\text{C}$

Parameter	Symbol	Conditions	Ratings	Unit
Maximum supply voltage	$V_{CC \text{ max}}$		$\pm 34.5$	V
Thermal resistance	$\theta_{j-c}$	Per power transistor	3.4	$^\circ\text{C/W}$
Junction temperature	$T_J$		150	$^\circ\text{C}$
Operating substrate temperature	$T_c$		125	$^\circ\text{C}$
Storage temperature	$T_{stg}$		$-30 \text{ to } +125$	$^\circ\text{C}$
Available time for load short-circuit	$t_s$	$V_{CC} = \pm 22\text{V}, R_L = 6\Omega, f = 50\text{Hz}, P_O = 30\text{W}$	1	s

### Operating Characteristics at $T_a = 25^\circ\text{C}, R_L = 6\Omega$ (noninductive load), $R_g = 600\Omega, V_G = 26\text{dB}$

Parameter	Symbol	Conditions	min	typ	max	Unit
Quiescent current	$I_{CCO}$	$V_{CC} = \pm 28.0\text{V}$ , no load	-	13	20	mA
Output power	$P_O$	$V_{CC} = \pm 22.0\text{V}, f = 1\text{kHz}, \text{THD} = 10.0\%$	30	-	-	W
Total harmonic distortion	THD	$V_{CC} = \pm 22.0\text{V}, f = 1\text{kHz}, P_O = 5.0\text{W}$	-	0.04	0.1	%
Frequency response	$f_L, f_H$	$V_{CC} = \pm 22.0\text{V}, P_O = 1.0\text{W}, \pm 3 \text{ dB}$	-	20 to 50k	-	Hz
Input impedance	$r_i$	$V_{CC} = \pm 22.0\text{V}, f = 1\text{kHz}, P_O = 1.0\text{W}$	-	55	-	$\text{k}\Omega$
Output noise voltage	$V_{NO}$	$V_{CC} = \pm 28.0\text{V}, R_g = 10\text{k}\Omega$	-	-	1.2	mVrms
Neutral voltage	$V_N$	$V_{CC} = \pm 28.0\text{V}$	-100	0	+100	mV

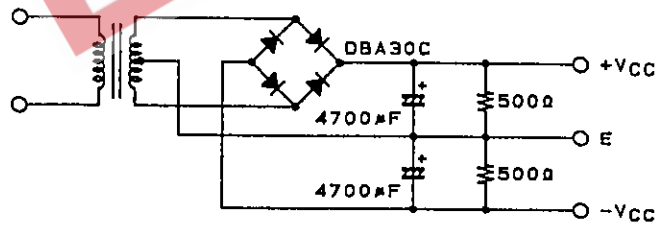
**Notes.**

All tests are measured using a regulated voltage supply unless otherwise specified.

Available time for load short-circuit and output noise voltage are measured using the transformer supply specified below.

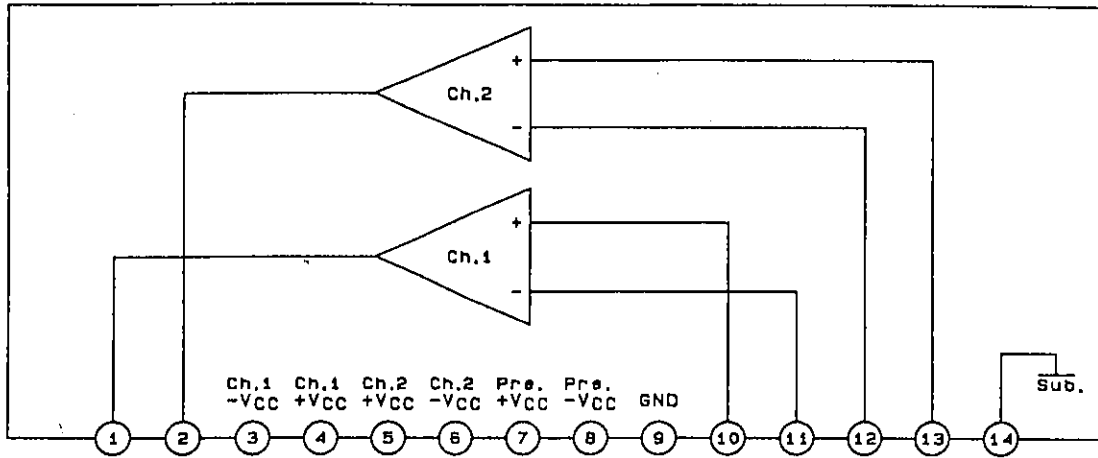
The output noise voltage is the peak value of an average-reading meter with an rms value scale (VTVM). A regulated AC supply (50Hz) should be used to eliminate the effects of AC primary line flicker noise.

### Specified Transformer Supply (RP-25 or Equivalent)



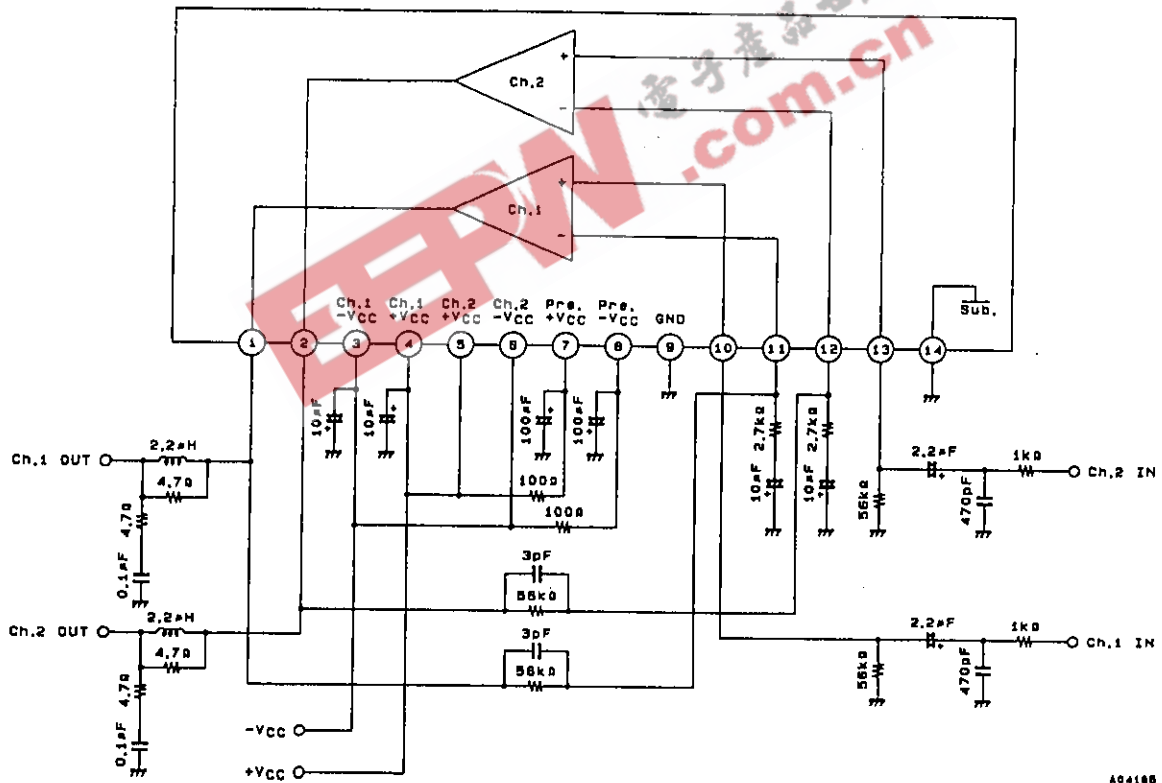
AD4153

Block Diagram



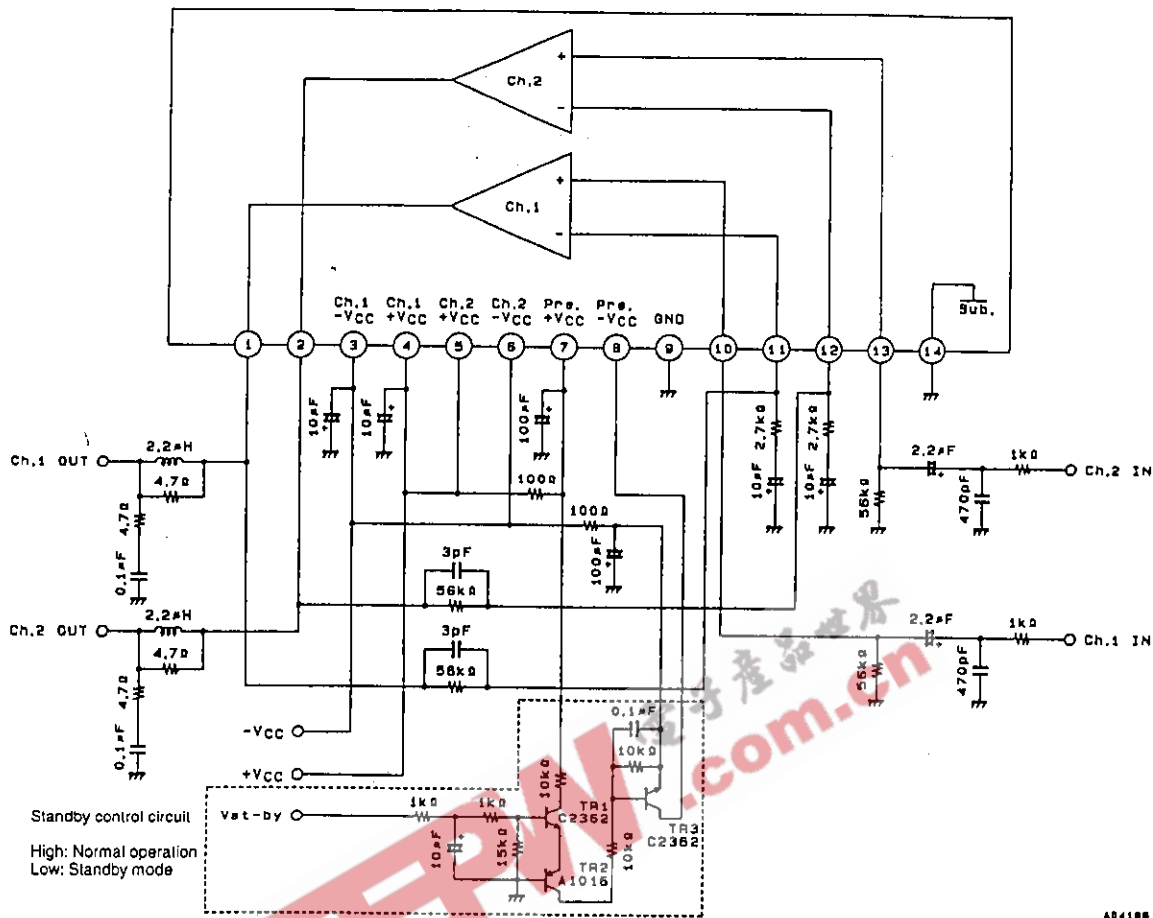
AD4184

Test Circuit



AD4185

Sample Application Circuit (Standby Mode Supported)



AS4186

Heatsink Design Considerations

The heatsink thermal resistance,  $\theta_{c-a}$ , required to dissipate the STK405-050 device total power dissipation,  $P_d$ , is determined as follows:

Condition 1: IC substrate temperature not to exceed 125°C.

$$P_d \times \theta_{c-a} + T_a < 125^\circ\text{C} \dots\dots\dots (1)$$

where  $T_a$  is the guaranteed maximum ambient temperature.

Condition 2: Power transistor junction temperature,  $T_j$ , not to exceed 150°C.

$$P_d \times \theta_{c-a} + P_d/N \times \theta_{j-c} + T_a < 150^\circ\text{C} \dots\dots\dots (2)$$

where  $N$  is the number of power transistors and  $\theta_{j-c}$  is the power transistor thermal resistance per transistor. Note that the power dissipated per transistor is the total,  $P_d$ , divided evenly among the  $N$  power transistors.

Expressions (1) and (2) can be rewritten making  $\theta_{c-a}$  the subject.

$$\theta_{c-a} < (125 - T_a)/P_d \dots\dots\dots (1')$$

$$\theta_{c-a} < (150 - T_a)/P_d - \theta_{j-c}/N \dots\dots\dots (2')$$

The heatsink required must have a thermal resistance that simultaneously satisfies both expressions.

The heatsink thermal resistance can be determined from (1)' and (2)' once the following parameters have been defined.

- Supply voltage:  $V_{CC}$
- Load resistance:  $R_L$
- Guaranteed maximum ambient temperature:  $T_a$

The total device power dissipation when STK405-050  $V_{CC} = \pm 22.0\text{V}$  and  $R_L = 6\Omega$ , for a continuous sine wave signal, is a maximum of 33.5W, as shown in the  $P_d-P_O$  characteristic graph.

When estimating the power dissipation for an actual audio signal input, the rule of thumb is to select  $P_d$  corresponding to 1/10  $P_O \text{ max}$  (within safe limits) for a continuous sine wave input. For example,

$$P_d = 23\text{W (for } 1/10 P_O \text{ max} = 3\text{W)}$$

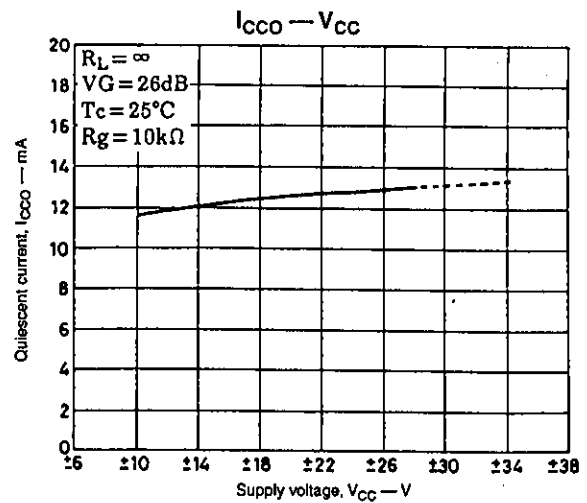
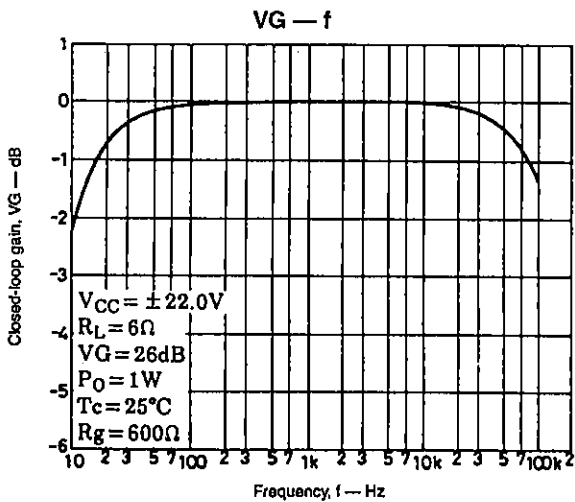
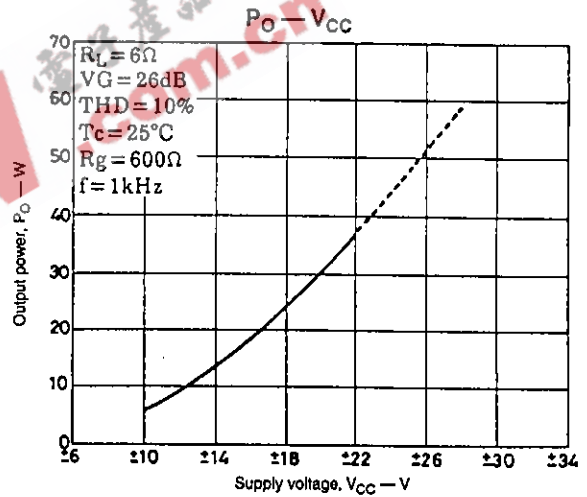
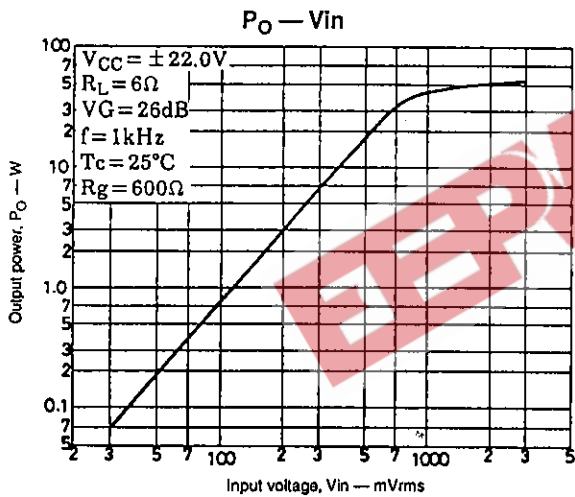
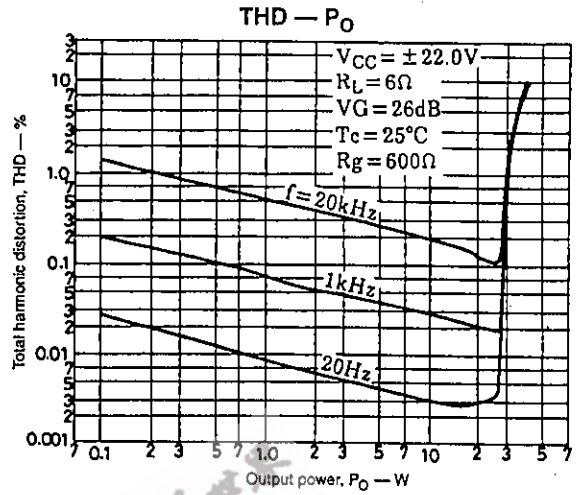
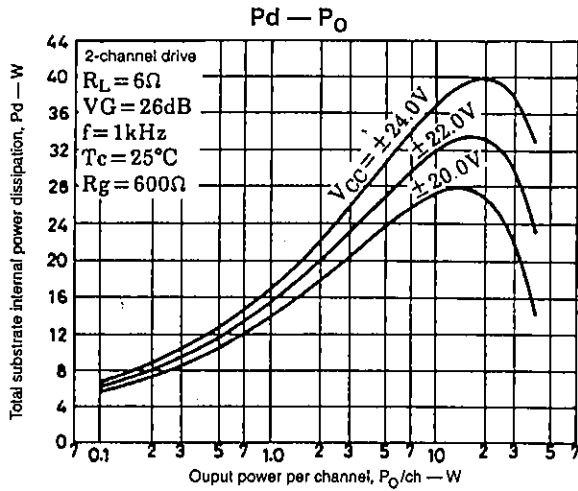
The STK405-050 has 4 power transistors, and the thermal resistance per transistor,  $\theta_{j-c}$ , is 3.4°C/W. If the guaranteed maximum ambient temperature,  $T_a$ , is 50°C, then the required heatsink thermal resistance,  $\theta_{c-a}$ , is:

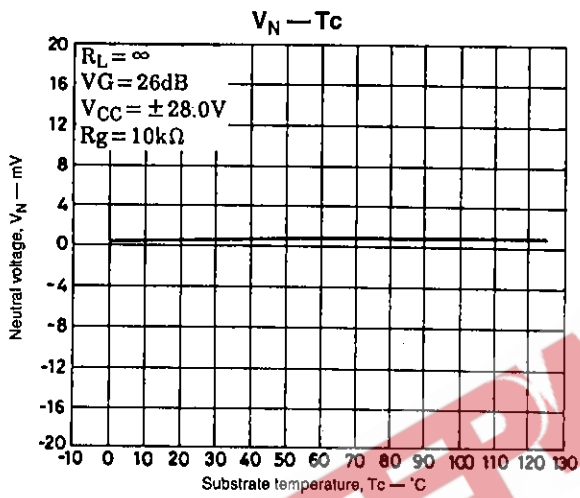
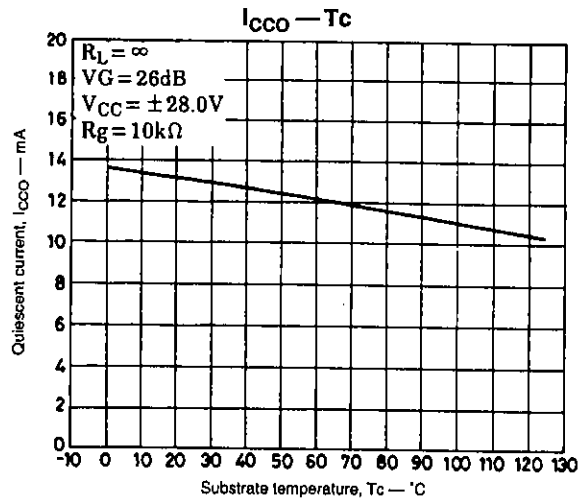
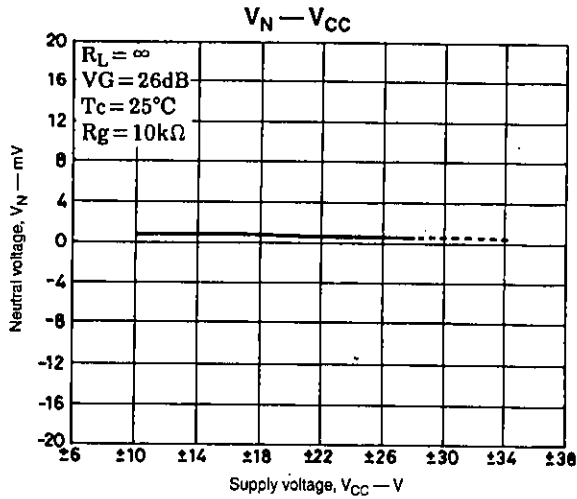
From expression (1):  $\theta_{c-a} < (125 - 50)/23 < 3.26$

From expression (2):  $\theta_{c-a} < (150 - 50)/23 - 3.4/4 < 3.49$

Therefore, to satisfy both expressions, the required heat-sink must have a thermal resistance less than  $3.26^\circ\text{C}/\text{W}$ .

This heatsink design example is based on a constant-voltage supply, and should be verified within your specific set environment.





- No products described or contained herein are intended for use in surgical implants, life-support systems, aerospace equipment, nuclear power control systems, vehicles, disaster/crime-prevention equipment and the like, the failure of which may directly or indirectly cause injury, death or property loss.
- Anyone purchasing any products described or contained herein for an above-mentioned use shall:
  - ① Accept full responsibility and indemnify and defend SANYO ELECTRIC CO., LTD., its affiliates, subsidiaries and distributors and all their officers and employees, jointly and severally, against any and all claims and litigation and all damages, cost and expenses associated with such use;
  - ② Not impose any responsibility for any fault or negligence which may be cited in any such claim or litigation on SANYO ELECTRIC CO., LTD., its affiliates, subsidiaries and distributors or any of their officers and employees, jointly or severally.
- Information (including circuit diagrams and circuit parameters) herein is for example only; it is not guaranteed for volume production. SANYO believes information herein is accurate and reliable, but no guarantees are made or implied regarding its use or any infringements of intellectual property rights or other rights of third parties.

This catalog provides information as of October, 1995. Specifications and information herein are subject to change without notice.