

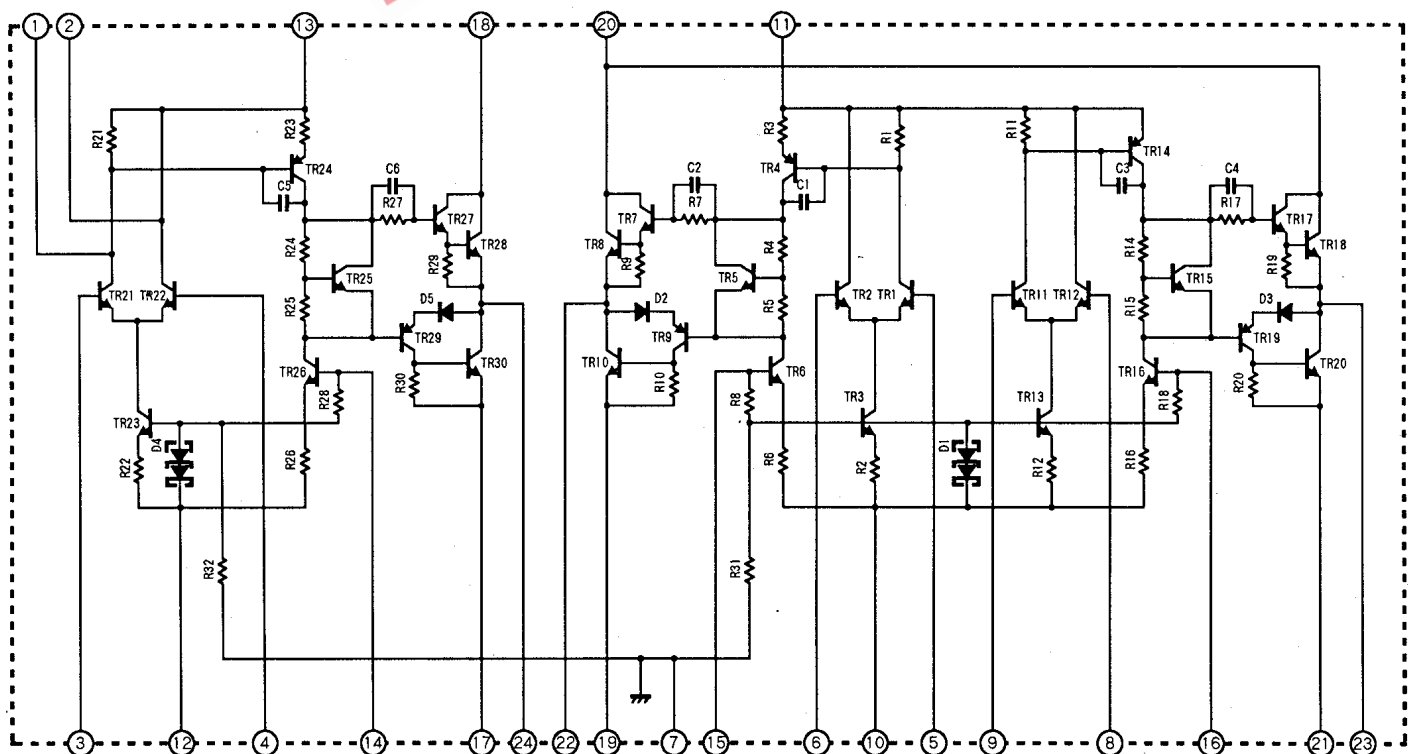
# STK4159MK2 Series

★3ch./1package, ± Power Supply  
 ★L & Rch. 15W/ch. ~50W/ch. Cch. 30W~100W  
 ★THD = 0.4%

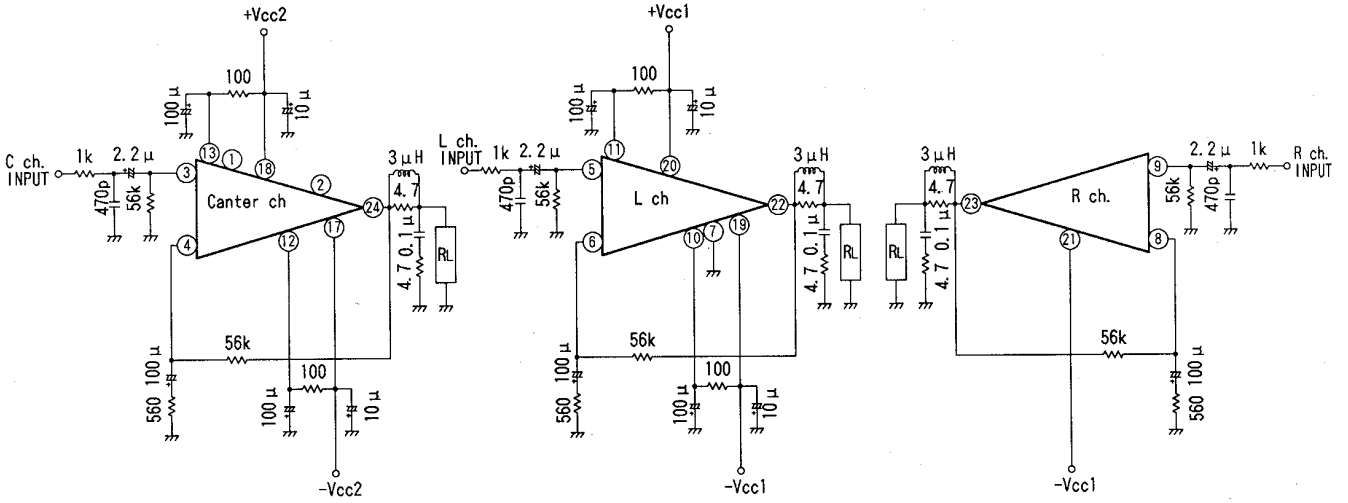
Model	Maximum Ratings 最大定格 [V]		Recommended Operating Conditions 推奨動作条件 [V]		Operating Characteristics (Recommend Operating Conditions at Test Circuit) 動作特性(Test Circuitにて 推奨動作条件による)	
	Vcc1 max	Vcc2 max	Vcc1	Vcc2	Po max RL=8Ω f=20~20kHz [W]	THD (V <sub>G</sub> =40dB) [%]
STK4159MK2	±30.5	±42.0	±21.0	±27.5	15 + 30 + 15	0.4
STK4169MK2	±30.5	±45.0	±21.0	±30.0	15 + 35 + 15	0.4
STK4179MK2	±34.5	±48.0	±23.0	±32.0	20 + 40 + 20	0.4
STK4189MK2	±34.5	±50.0	±23.0	±33.5	20 + 45 + 20	0.4
*STK4199MK2	±40.0	±52.5	±27.0	±35.0	25 + 50 + 25	0.4
STK4209MK2	±42.0	±55.0	±28.0	±38.0	30 + 60 + 30	0.4
*STK4219MK2	±45.0	±60.0	±30.5	±42.0	35 + 70 + 35	0.4
STK4229MK2	±48.0	±65.0	±32.0	±45.0	40 + 80 + 40	0.4
STK4239MK2	±52.5	±70.0	±35.0	±51.0	50 + 100 + 50	0.4

\* Under mass production

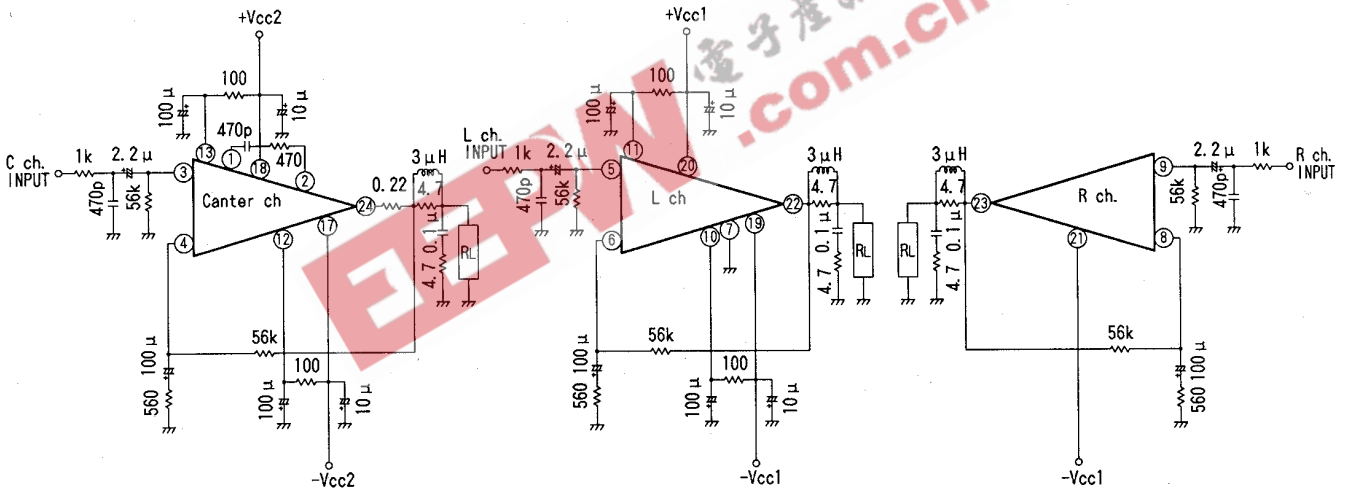
## Equivalent Circuit



■ Test Circuit  
 @STK4159MK2 ~ STK4199MK2



① STK4209MK2 ~ STK4239MK2



■ Case Outline

